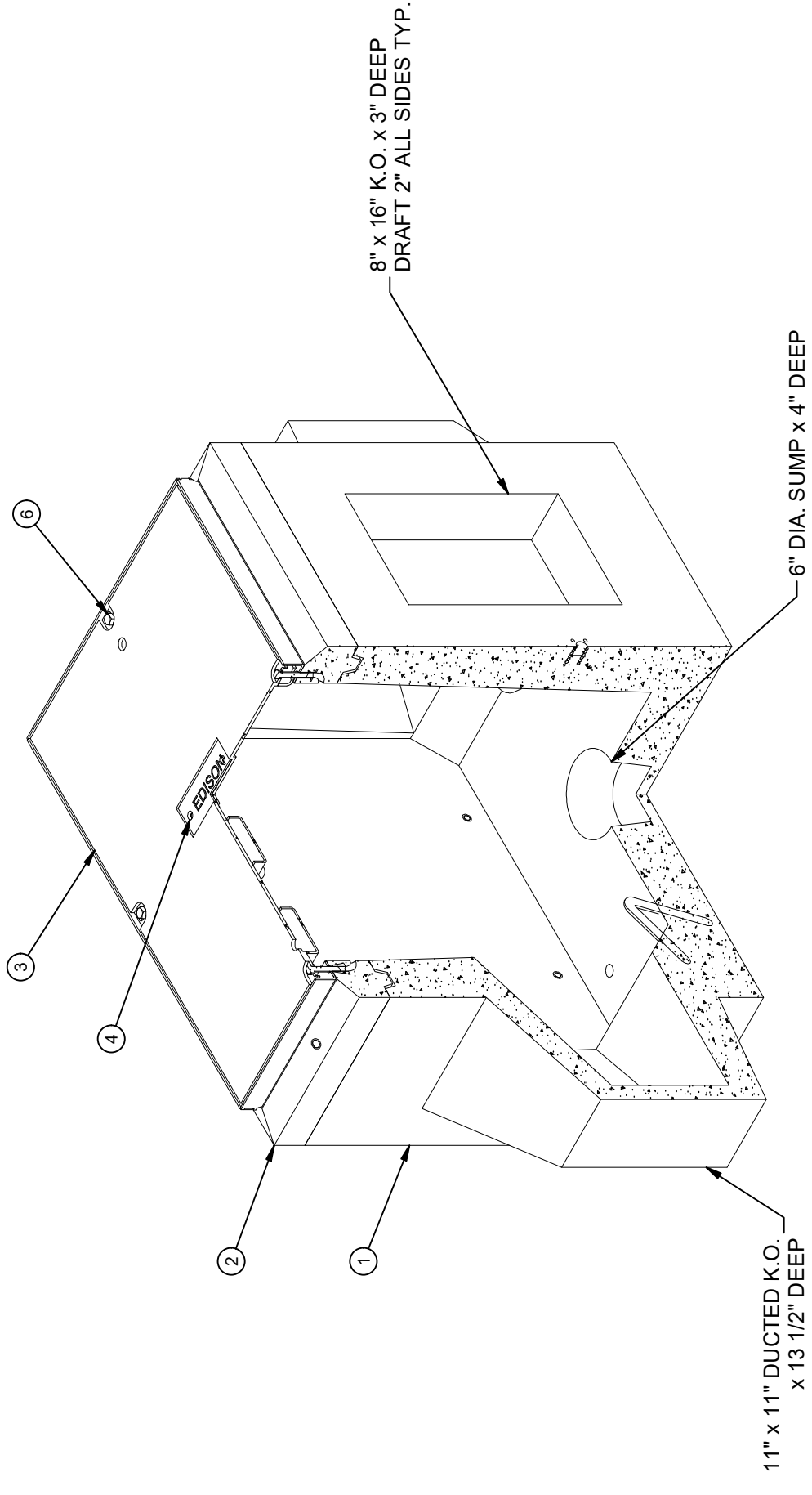


DESIGN NOTES

- SUBSTRUCTURE DESIGNED IN ACCORDANCE WITH AASHTO HS20-44 TRAFFIC BRIDGE LOADING USING 5,500 PSI COMPRESSIVE STRENGTH CONCRETE AND 60,000 PSI YIELD STRENGTH ASTM A-706 STEEL REINFORCEMENT PER CALCS. #34544.
- COVER DESIGN FOR H-20 OFF STREET TRAFFIC LOADING.
- PULL BOX TO BE PLACED ON A MIN. 6" BASE OF CRUSHER RUN FOR EASE OF INSTALLATION AND EVEN LOAD DISTRIBUTION.
- MINIMUM EXCAVATION SIZE: 3'-8" X 6'-6" X DEPTH REQ'D.
- FOR COMPLETE DESIGN AND PRODUCT INFORMATION CONTACT JENSEN PRECAST.
- ALL PARTS TO BE STENCILED: MFG DATE / JOB NUMBER / PRODUCT ID / WEIGHT.

BILL OF MATERIALS

ITEM	UNIT QTY	QTY	PART NUMBER	DESCRIPTION	MASS (lbs)
1	1	1	100012129	Vault 2436x30 Rect. Bottom Section Knockout Ducted,Sump LADWP E-491 G1	2113
2	1	1	100012124	Vault 2436x6 Rect. Top Section 24"x36"C LADWP/EDISON	217
3	1	1	100006612	DOOR 2436 INC DROP-IN GALV	159
4	1	1	100006743	NAME PLATE SS - EDISON	
5	1	1	100007650	NAME PLATE HARDWARE KIT	
6	1	4	100007123	PENTA BOLT 1/2-13 UNC 2-1/2 7/8HEAD 304SS	
7	1.000 ul	1.000 ul	100005749	SEALANT JOINT BUTYL RUBBER ASTM C-990 AND M198 CS-102 1IN EQUIV X14.5FT PER BOX 118FT	



LIFTING NOTES

■ FIELD INSTALLATION: PLANT DEMOLING: MINIMUM HANDLING CONCRETE STRENGTH F _c = 5500 PSI RIGGING EQUALIZER REQUIRED TO EQUALIZE LOAD TO 4 LIFTING POINTS WITH A SLING ANGLE BETWEEN 60° AND 90°	
BURY DEPTH:	0.0' - 0.3' to Top
WATER LEVEL:	3.0'
DESIGN SPEC:	ASTM C857, ACI 318
AGENCY:	EDISON
APPROX. WEIGHT:	2490.33 Lbs
LOADING SPEC:	A-16 (AASHTO HS20-44)
AGENCY SPEC:	

REVISION HISTORY	
REV	DESCRIPTION
B-1	INITIAL RELEASE
	DATE 1/11/2023
	APPROVED

DESCRIPTION: Vault 2436 Layout Assembly EDISON TRAFFIC BOLTDOWN GALV.

REV: B-2

PART NUMBER: 100010273 LAYOUT REVIEW

DRAWN BY: R. Ramos

CREATED: 6/10/2019 MODIFIED: 1/11/2023

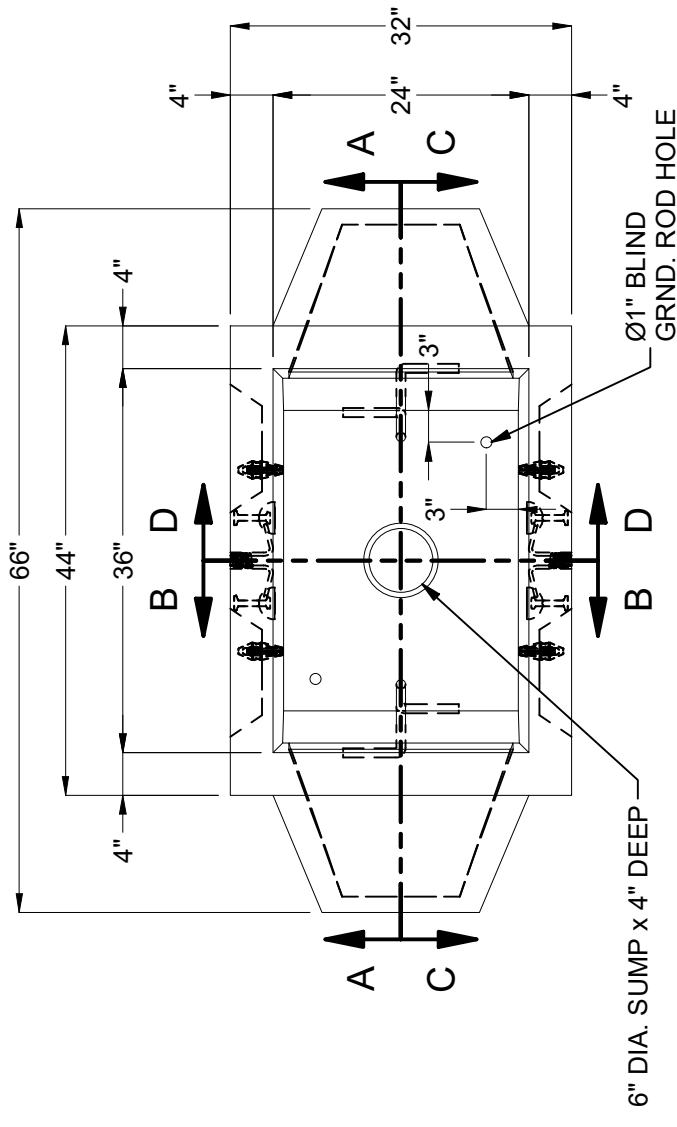
SHEET: 1 OF 2

©2023 Jensen Precast. All rights reserved. All materials appearing as Jensen Precast documents and the like are proprietary work product and are protected under U.S. copyright and other laws. Unless in conjunction with business conducted with Jensen Precast, any use of Jensen Precast work product without express, written consent is prohibited, and recipient is prohibited from distributing any and all work product to non-approved third parties under penalty of civil action.

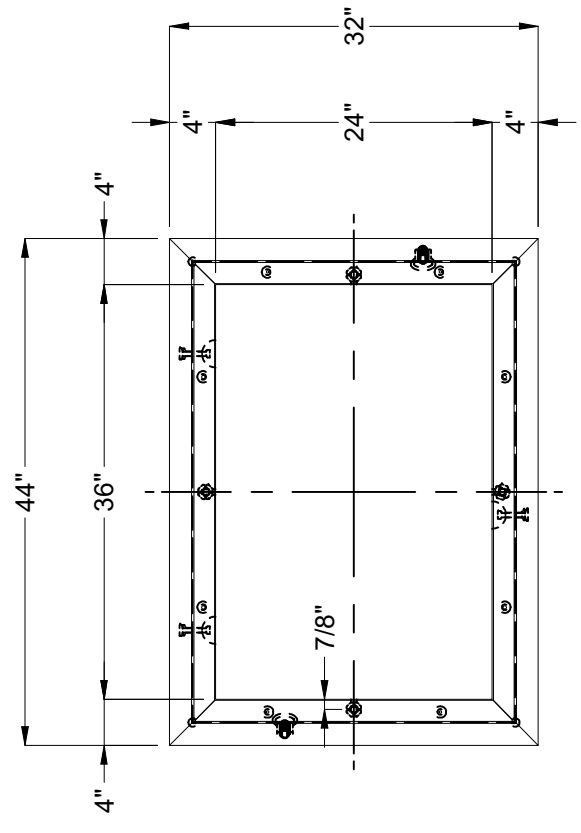
JENSEN PRECAST EST. 1968

WWW.JENSENPRECAST.COM

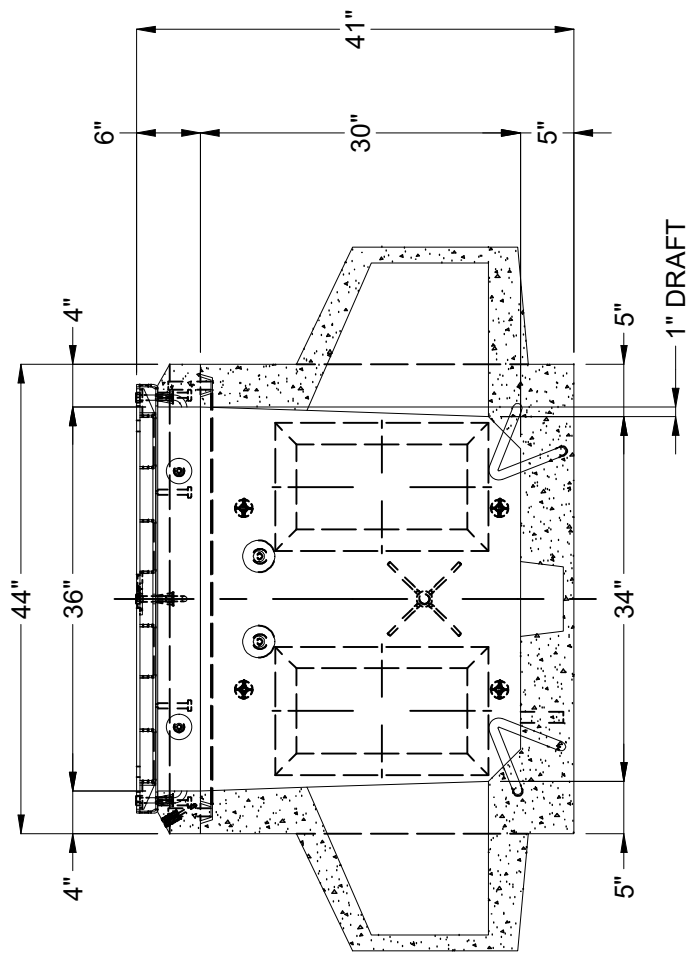
10010273.rpt



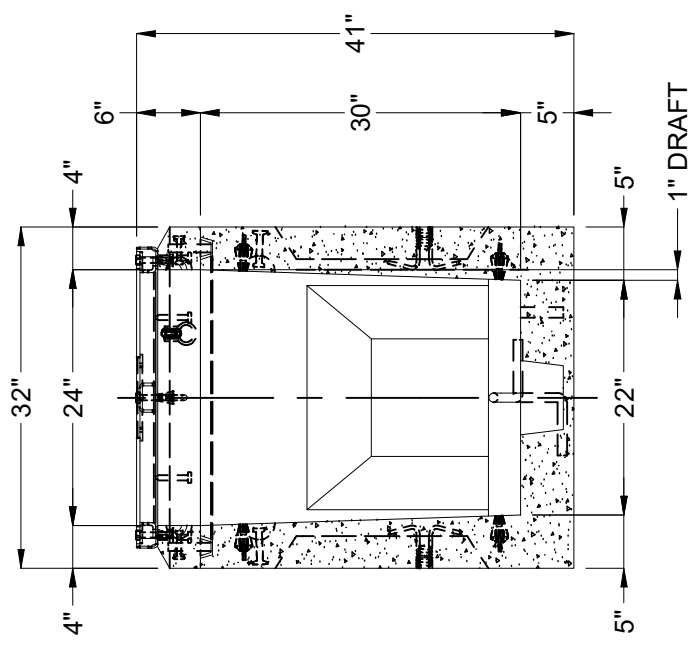
PLAN VIEW W/O TOP SECTION



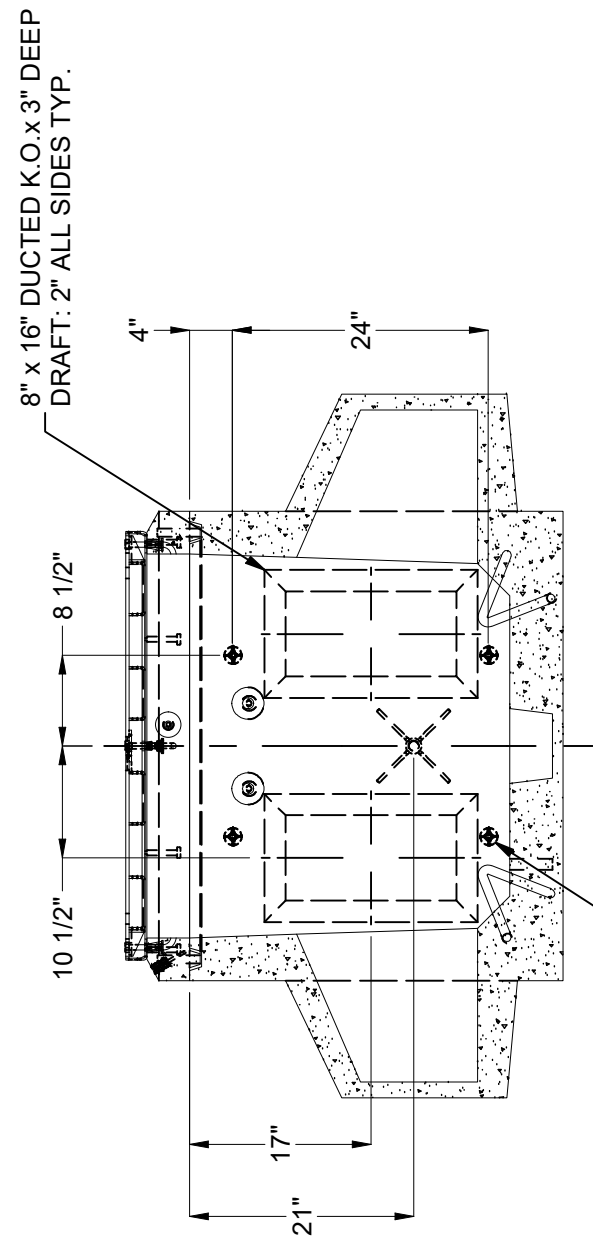
PLAN VIEW OF TOP SECTION



SECTION A-A

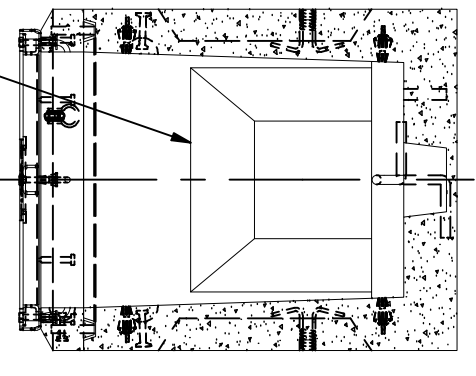


SECTION B-B



SECTION C-C

11" x 11" DUCTED K.O.
x 13-1/2" DEEP



SECTION D-D

1/2" PLASTIC INSERT
(8X)

BURY DEPTH:	0.0' - 0.3' to Top
WATER LEVEL:	3.0'
DESIGN SPEC:	ASTM C857, ACI 318
AGENCY:	EDISON
APPROX. WEIGHT:	2490.33 Lbs
LOADING SPEC:	A-16 (AASHTO HS20-44)
AGENCY SPEC:	

JENSEN PRECAST EST. 1968
WWW.JENSENPRECAST.COM

©2023 Jensen Precast. All rights reserved. All materials appearing as Jensen Precast documents and the like are proprietary work product and are protected under U.S. copyright and other laws. Unless in conjunction with business conducted with Jensen Precast, any use of Jensen Precast work product without express, written consent is prohibited, and recipient is prohibited from distributing any and all work product to non-approved third parties under penalty of civil action.

DESCRIPTION:	Vault 2436 Layout Assembly EDISON TRAFFIC BOLTDOWN GALV.
PART NUMBER:	100010273
CREATED:	6/10/2019
LAYOUT REVIEW	
DRAWN BY:	R. Ramos
MODIFIED:	1/11/2023
REV:	B-2
SHEET:	8
	2 OF 2