

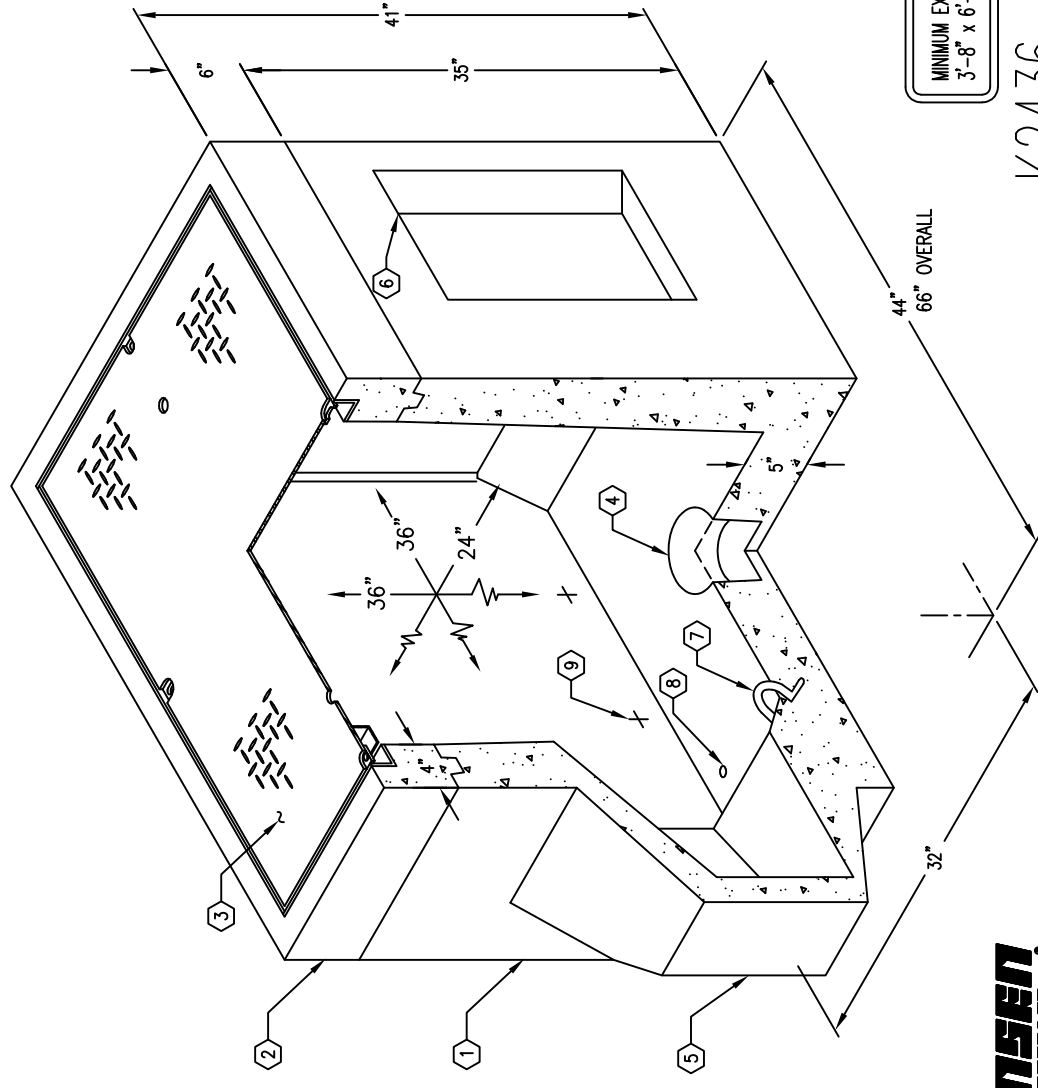
# 2'-0" x 3'-0" DUCTED PULL BOX x 3'-0" DEEP

## MATERIAL LIST K2436-DP36-14

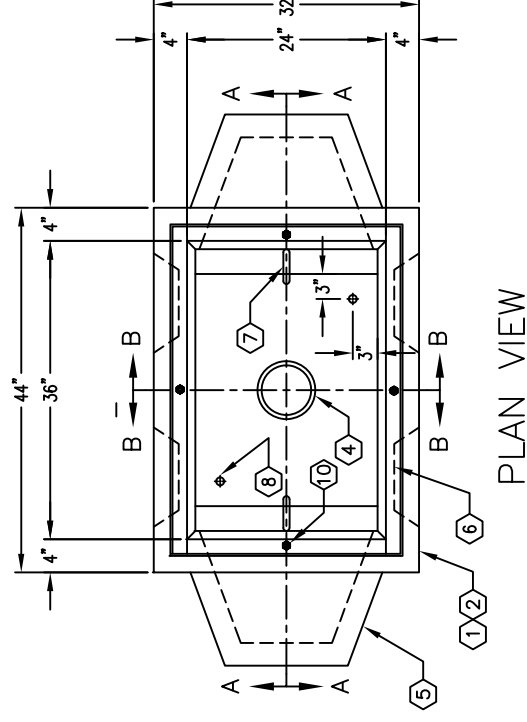
ITEM / PART NO.	DESCRIPTION	REBAR NO. / LOCATE	MOUNT / WEIGHT
1	PB2436D-B30-05 30" BOTTOM SECTION	CG-MAT-2436, CGLOOP3-2436	1,955 lbs
2	PB2436-T6E 6" TOP SECTION FRAME CAST-IN	CG-LOOP3-2436	254 lbs
3A	SC2436-PSRAL (1) PC. SLIP RESISTANT PARKWAY COVER WITH RED PRIMER & ALUM. FINISH, WITH "AT&T" NAMEPLATE		
3B	SC2436-TSRAL (1) PC. SLIP RESISTANT PARKWAY COVER WITH RED PRIMER & ALUM. FINISH WITH "AT&T" NAMEPLATE		
4	KNOCK OUT 6" x 7" DIAMETER SUMP x 4" DEEP	BOTTOM SECTION	(1) CORE
5	KNOCK OUT 11" x 11" DUCTED K.O. x 13 1/2" DEEP	BOTTOM SECTION	(2) CORE
6	KNOCK OUT 8" x 16" K.O. x 3" DEEP	BOTTOM SECTION	(4) SHELL
7	55-35-06 7/8" DIA. x 6" GALV. PULL IRON	BOTTOM SECTION	(2) CORE
8	KNOCK OUT 1" DIA. BLIND GROUND ROD HOLE	BOTTOM SECTION	(2) CORE
9	55-10-424 1/2" PLASTIC INSERT	BOTTOM SECTION	(8) CORE
10	55-10-416 1/2" x 1 1/2" P-35T O B INSERT W/CLEAN-OUT	TOP SECTION	(4) FRAME

### NOTES:

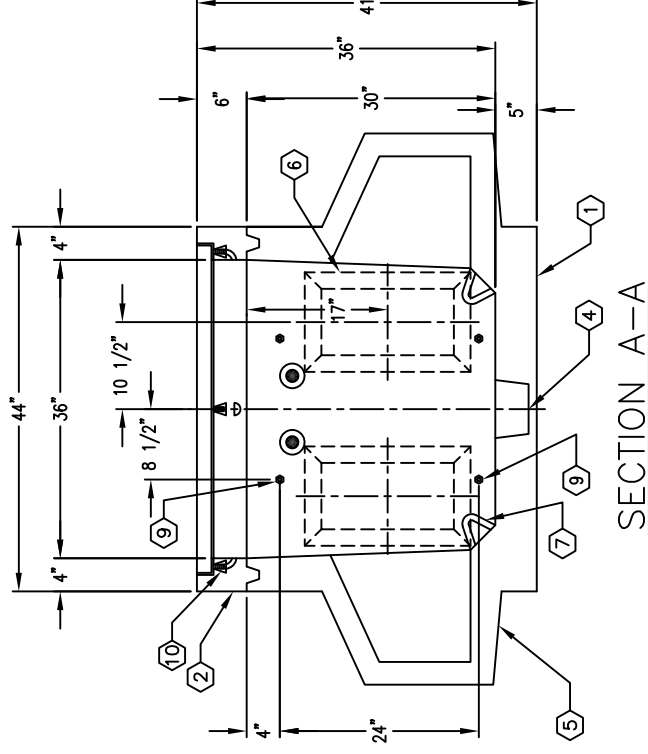
- CONCRETE DESIGNED FOR H-20-44 TRAFFIC BRIDGE LOADING USING 5,500 PSI COMPRESSIVE STRENGTH CONCRETE AND 60,000 PSI YIELD STRENGTH ASTM A-706 STEEL REINFORCEMENT PER CALCS. 31633.
- COVER DESIGNED FOR PARKWAY LOADING 300 PSF OR TRAFFIC LOADING H-20.
- PULL BOX TO BE PLACED ON A 6" BASE OF CRUSHER RUN FOR EVEN LOAD DISTRIBUTION AND EASE OF INSTALLATION.
- PARKWAY ASSEMBLY WITH STEEL B/D COVER K2436-DP36-14P.
- LIGHT TRAFFIC ASSEMBLY WITH STEEL B/D COVER K2436-DP36-14T.
- RACKING PACKAGE  
14 HOLE CABLE RACKS W/BOLTS = 4
- ORDERING INFORMATION:  
APPROVED PER TEL 'C' SPECS.  
TOTAL ASSEMBLY WT.: 2,290 Lbs.



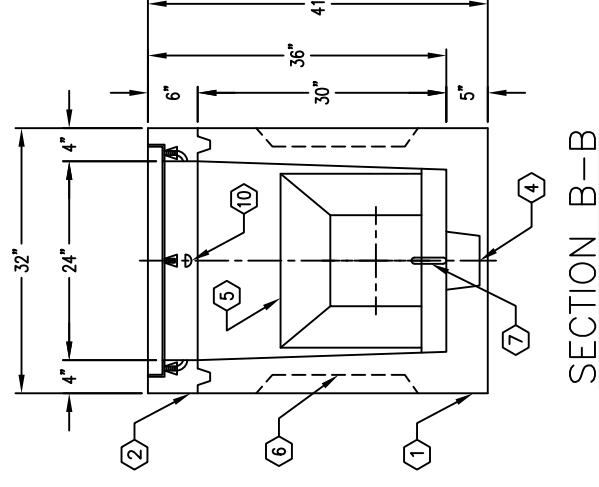
MINIMUM EXCAVATION SIZE:  
3'-8" x 6'-6" x DEPTH REQ'D.



PLAN VIEW



SECTION A-A



SECTION B-B