

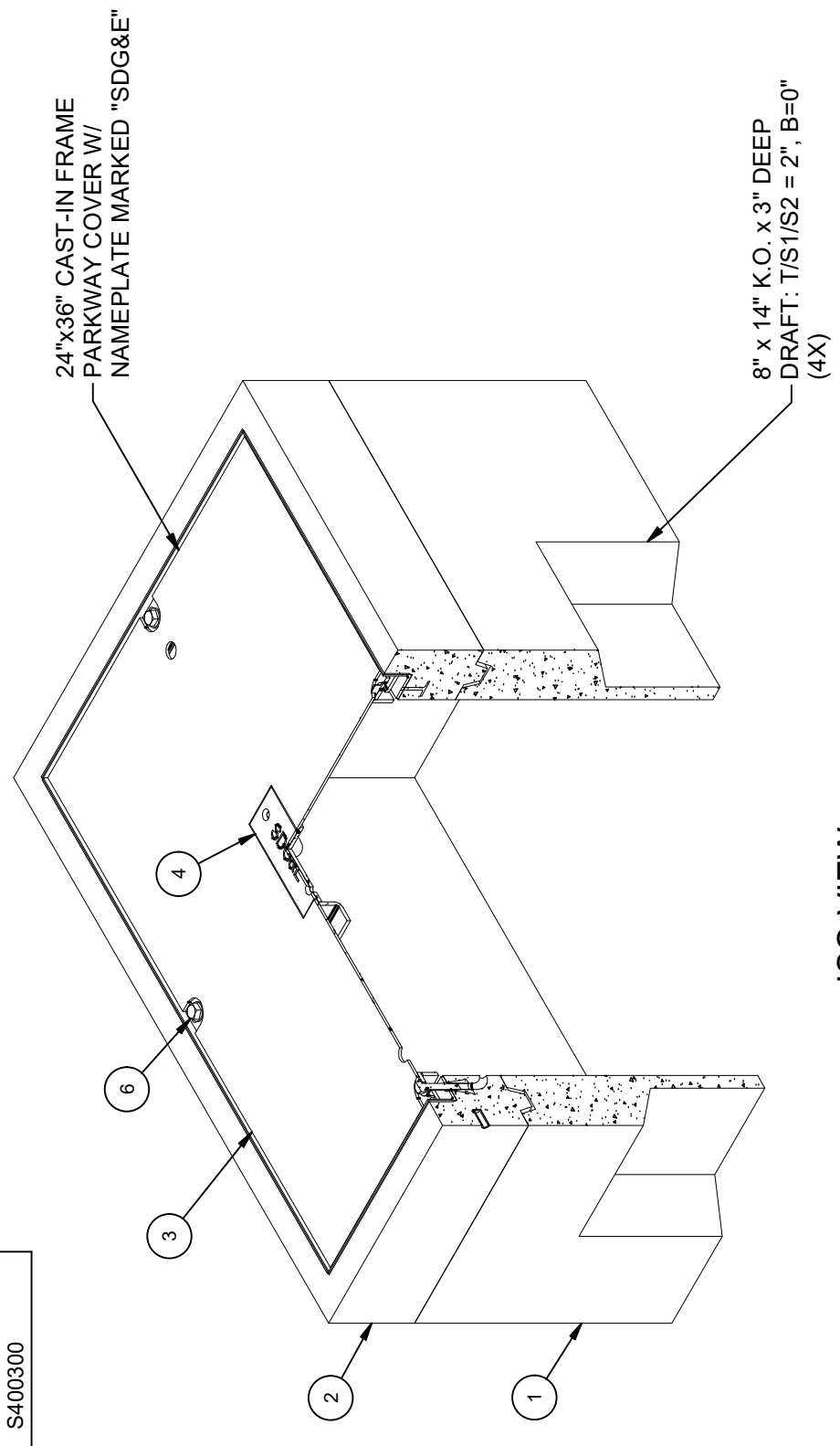
DESIGN NOTES

- DESIGNED IN ACCORDANCE WITH AASHTO HS20-44 TRAFFIC BRIDGE LOADING USING 6,000 PSI COMPRESSIVE STRENGTH CONCRETE AND 60,000 PSI YIELD STRENGTH ASTM A-706 STEEL REINFORCEMENT PER CALCS. #34688.
- MINIMUM EXCAVATION SIZE: 3'-8" X 4'-8" X DEPTH REQ'D.
- COVER DESIGNED FOR PARKWAY LOADING 300 PSF.
- ALL PARTS TO BE STENCILED: MFG DATE / JOB NUMBER / PRODUCT ID / WEIGHT.
- FOR COMPLETE DESIGN AND PRODUCT INFORMATION CONTACT JENSEN PRECAST.

BILL OF MATERIALS

| ITEM | UNIT QTY | QTY | PART NUMBER | DESCRIPTION | MASS (lb) |
|------|----------|----------|-------------|---|-----------|
| 1 | 1 | 1 | 200024378 | Riser 2436x18 Rect. Riser Knockout SDGE | 676 |
| 2 | 1 | 1 | 200055856 | Riser 2436x6 Rect. Riser Cast-In Frame SDGE | 281 |
| 3 | 1 | 1 | 100006623 | DOOR 2436 DI PED TRX GALV PSRGV | 92 |
| 4 | 1 | 1 | 100009506 | NAME PLATE SS - SDG&E | |
| 5 | 1 | 1 | 100007650 | NAME PLATE HARDWARE KIT | |
| 6 | 1 | 4 | 100008105 | PENTA BOLT 1/2-13 UNC 2-1/2 304SS W/CAPWASH | |
| 7 | 1.000 ul | 1.000 ul | 100005749 | SEALANT JOINT BUTYL RUBBER ASTM C-990 AND M198 CS-102 1IN EQUIV X14.5FT PER BOX 118FT | |

| CROSS REFERENCE | |
|-----------------|--|
| JENSEN PART No. | SHORT DESCRIPTION |
| 200024378 | 3313 BASE SECTION 18" |
| 200055856 | 3313 TOP SECTION 6" |
| 100006623 | 3313 COVER, PARKWAY |
| 200046163 | 3313 EXTENSION SECTION, INTERMEDIATE, 6" |
| 100010283 | 3313PC COMPLETE PARKWAY KIT |



ISO VIEW

LIFTING NOTES

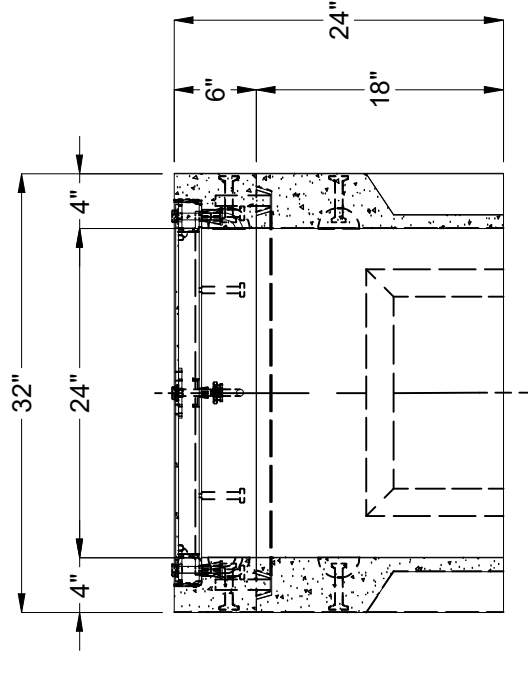
- FIELD INSTALLATION: PLANT DEMOLING: MINIMUM HANDLING CONCRETE STRENGTH F_c = 5500 PSI RIGGING EQUALIZER REQUIRED TO EQUALIZE LOAD TO 4 LIFTING POINTS WITH A SLING ANGLE BETWEEN 60° AND 90°
- BURY DEPTH: 0.0' - 0.0' to Top
- WATER LEVEL: 3.0'
- APPROX. WEIGHT: 1050.56 Lbs
- DESIGN SPEC: ASTM C857, ACI 318
- LOADING SPEC: A-16 (AASHTO HS20-44)
- AGENCY: SDGE
- AGENCY SPEC: 3313PC

| REVISION HISTORY | |
|------------------|--------------------------|
| REV | DESCRIPTION |
| B | INITIAL RELEASE INVENTOR |
| | DATE |
| | APPROVED |

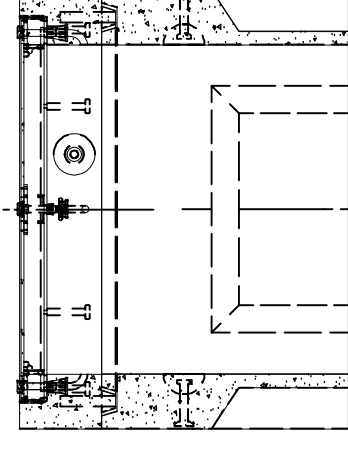
| | |
|---------------|---|
| DESCRIPTION: | Pull Box 2436 Layout Assembly SDGE 3313PC |
| REV: | B-1 |
| PART NUMBER: | 100010283 |
| CREATED: | 7/18/2019 |
| DRAWN BY: | J. Prado |
| MODIFIED: | 12/2/2021 |
| LAYOUT REVIEW | |
| SHEET: | 1 OF 2 |

©2021 Jensen Precast. All rights reserved. All materials appearing as Jensen Precast documents and the like are proprietary work product and are protected under U.S. copyright and other laws. Unless in conjunction with business conducted with Jensen Precast, any use of Jensen Precast work product without express, written consent is prohibited, and recipient is prohibited from distributing any and all work product to non-approved third parties under penalty of civil action.

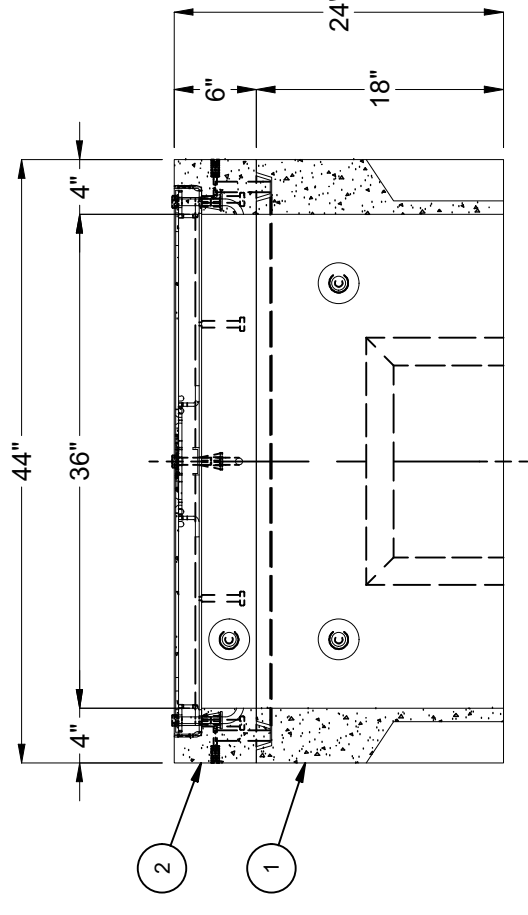
JENSEN PRECAST EST. 1968
WWW.JENSENPRECAST.COM



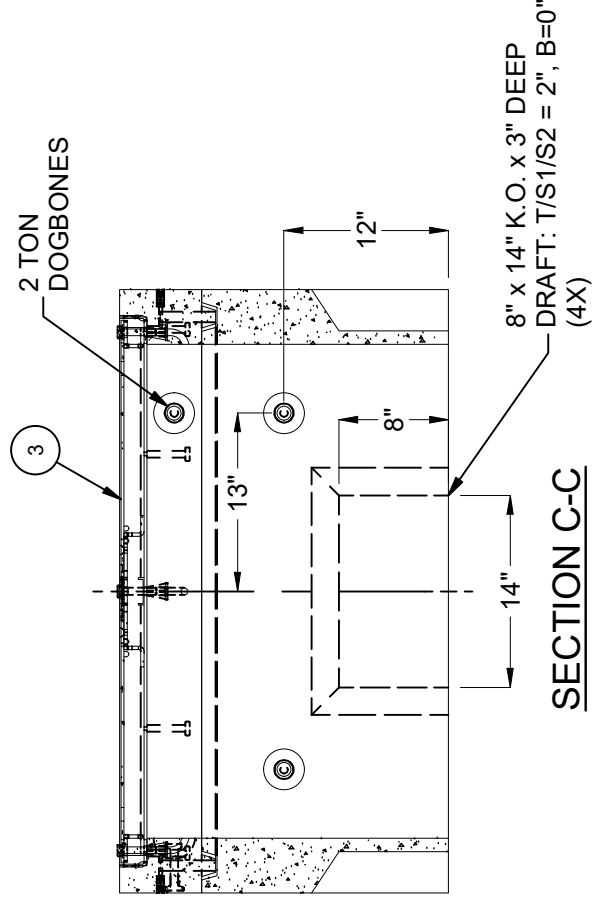
SECTION B-B



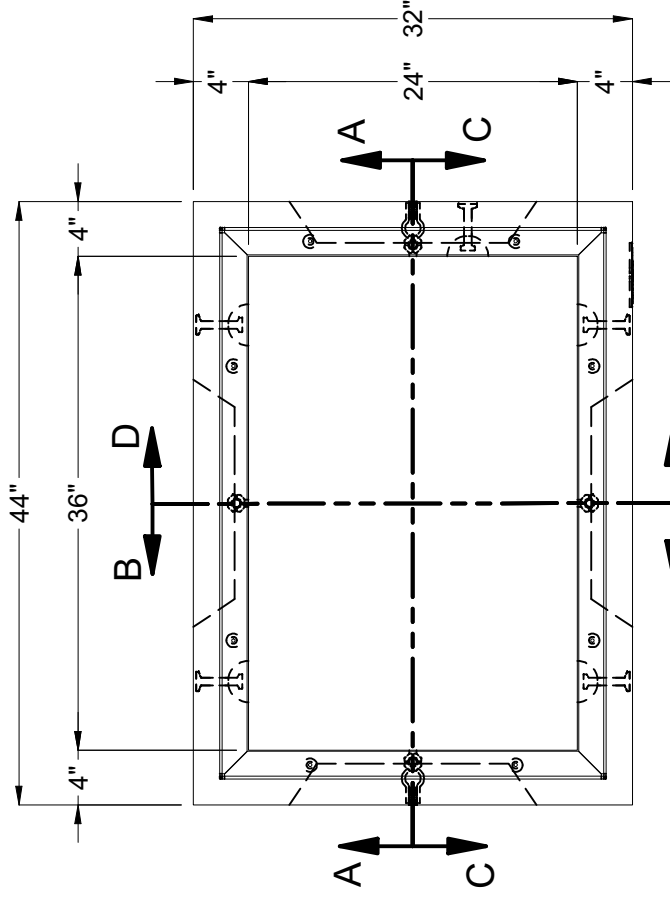
SECTION D-D



SECTION A-A



SECTION C-C



PLAN VIEW
(COVER NOT SHOWN FOR CLARITY)

| | |
|-----------------|-----------------------|
| BURY DEPTH: | 0.0' - 0.0' to Top |
| WATER LEVEL: | 3.0' |
| DESIGN SPEC: | ASTM C857, ACI 318 |
| AGENCY: | SDGE |
| APPROX. WEIGHT: | 1050.56 Lbs |
| LOADING SPEC: | A-16 (AASHTO HS20-44) |
| AGENCY SPEC: | 3313PC |

JENSEN PRECAST EST. 1968
WWW.JENSENPRECAST.COM

©2021 Jensen Precast. All rights reserved. All materials appearing as Jensen Precast documents and the like are proprietary work product and are protected under U.S. copyright and other laws. Unless in conjunction with business conducted with Jensen Precast, any use of Jensen Precast work product without express, written consent is prohibited, and recipient is prohibited from distributing any and all work product to non-approved third parties under penalty of civil action.

| | |
|---------------|---|
| DESCRIPTION: | Pull Box 2436 Layout Assembly SDGE 3313PC |
| PART NUMBER: | 100010283 |
| CREATED: | 7/18/2019 |
| LAYOUT REVIEW | J. Prado |
| DRAWN BY: | J. Prado |
| MODIFIED: | 12/2/2021 |