

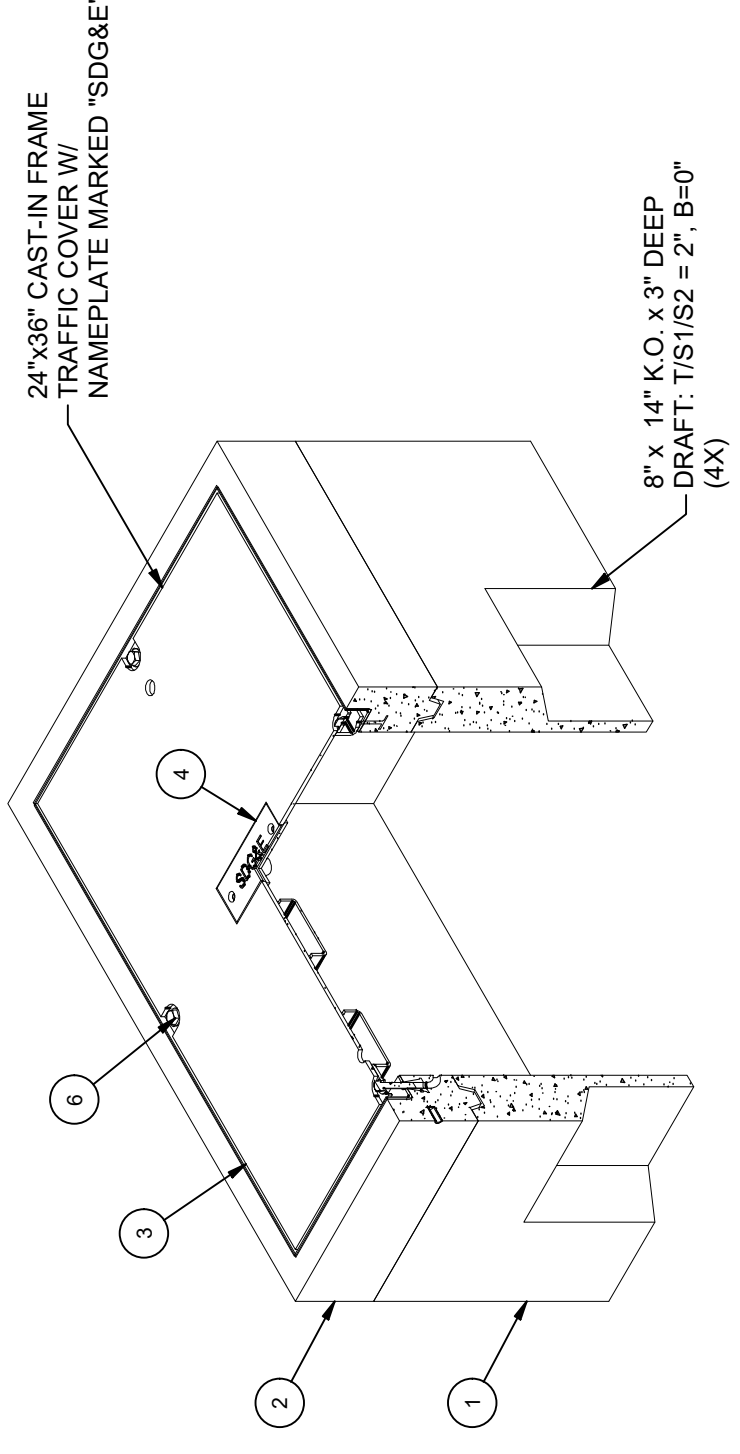
DESIGN NOTES

- DESIGNED IN ACCORDANCE WITH AASHTO HS20-44 TRAFFIC BRIDGE LOADING USING 6,000 PSI COMPRESSIVE STRENGTH CONCRETE AND 60,000 PSI YIELD STRENGTH ASTM A-706 STEEL REINFORCEMENT PER CALCS. #34688.
- MINIMUM EXCAVATION SIZE: 3'-8" X 4'-8" X DEPTH REQ'D.
- COVER DESIGNED FOR TRAFFIC LOADING.
- ALL PARTS TO BE STENCILED: MFG DATE / JOB NUMBER / PRODUCT ID / WEIGHT.
- FOR COMPLETE DESIGN AND PRODUCT INFORMATION CONTACT JENSEN PRECAST.

CROSS REFERENCE	
JENSEN PART No.	SHORT DESCRIPTION
200024378	3313 BASE SECTION 18"
200055856	3313 TOP SECTION 6"
100010284	3313TC COMPLETE TRAFFIC KIT
200046163	3313 EXTENSION SECTION, INTERMEDIATE, 6"
100006612	3313 COVER, TRAFFIC

BILL OF MATERIALS

ITEM	UNIT QTY	QTY	PART NUMBER	DESCRIPTION	MASS (lb)
1	1	1	200024378	Riser 2436x18 Rect. Riser Knockout SDGE	676
2	1	1	200055856	Riser 2436x6 Rect. Riser Cast-In Frame SDGE	281
3	1	1	100006612	DAS1-SD-2436-D5-DP-G-FONT-(SC2436-TGV)	157
4	1	1	100009506	NAME PLATE SS - SDG&E	
5	1	1	100007650	NAME PLATE HARDWARE KIT	
6	1	4	100008105	PENTA BOLT 1/2-13 UNC 2-1/2 304SS W/CAPWASH	
7	1.000 ul	1.000 ul	100005749	SEALANT JOINT BUTYL RUBBER ASTM C-990 AND M198 CS-102 1IN EQUIV X14.5FT PER BOX 118FT	



ISO VIEW

LIFTING NOTES

- FIELD INSTALLATION: PLANT DEMOLDING: MINIMUM HANDLING CONCRETE STRENGTH F_c = 5500 PSI RIGGING EQUALIZER REQUIRED TO EQUALIZE LOAD TO 4 LIFTING POINTS WITH A SLING ANGLE BETWEEN 60° AND 90°
- BURY DEPTH: 0.0' - 0.0' to Top
- WATER LEVEL: 3.0'
- APPROX. WEIGHT: 1115.25 Lbs
- DESIGN SPEC: ASTM C857, ACI 318
- LOADING SPEC: A-16 (AASHTO HS20-44)
- AGENCY SPEC: SDGE
- AGENCY: 3313TC



©2021 Jensen Precast. All rights reserved. All materials appearing as Jensen Precast documents and the like are proprietary work product and are protected under U.S. copyright and other laws. Unless in conjunction with business conducted with Jensen Precast, any use of Jensen Precast work product without express, written consent is prohibited, and recipient is prohibited from distributing any and all work product to non-approved third parties under penalty of civil action.

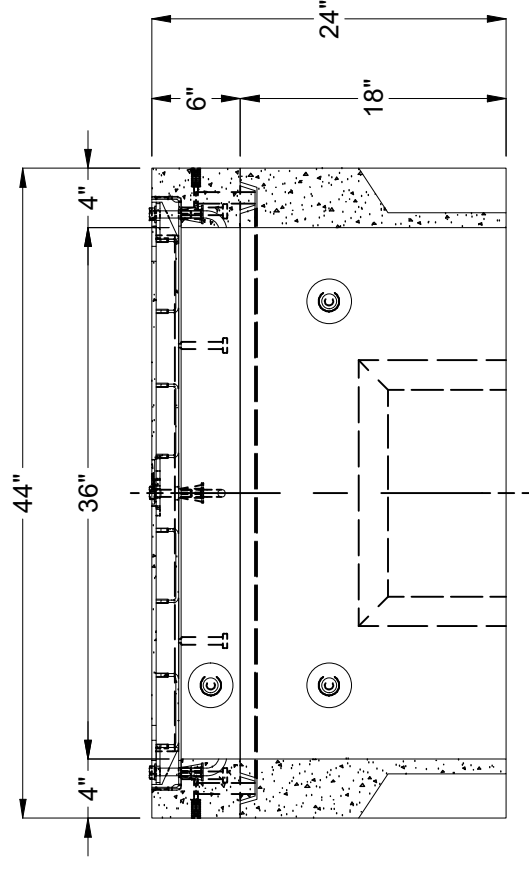
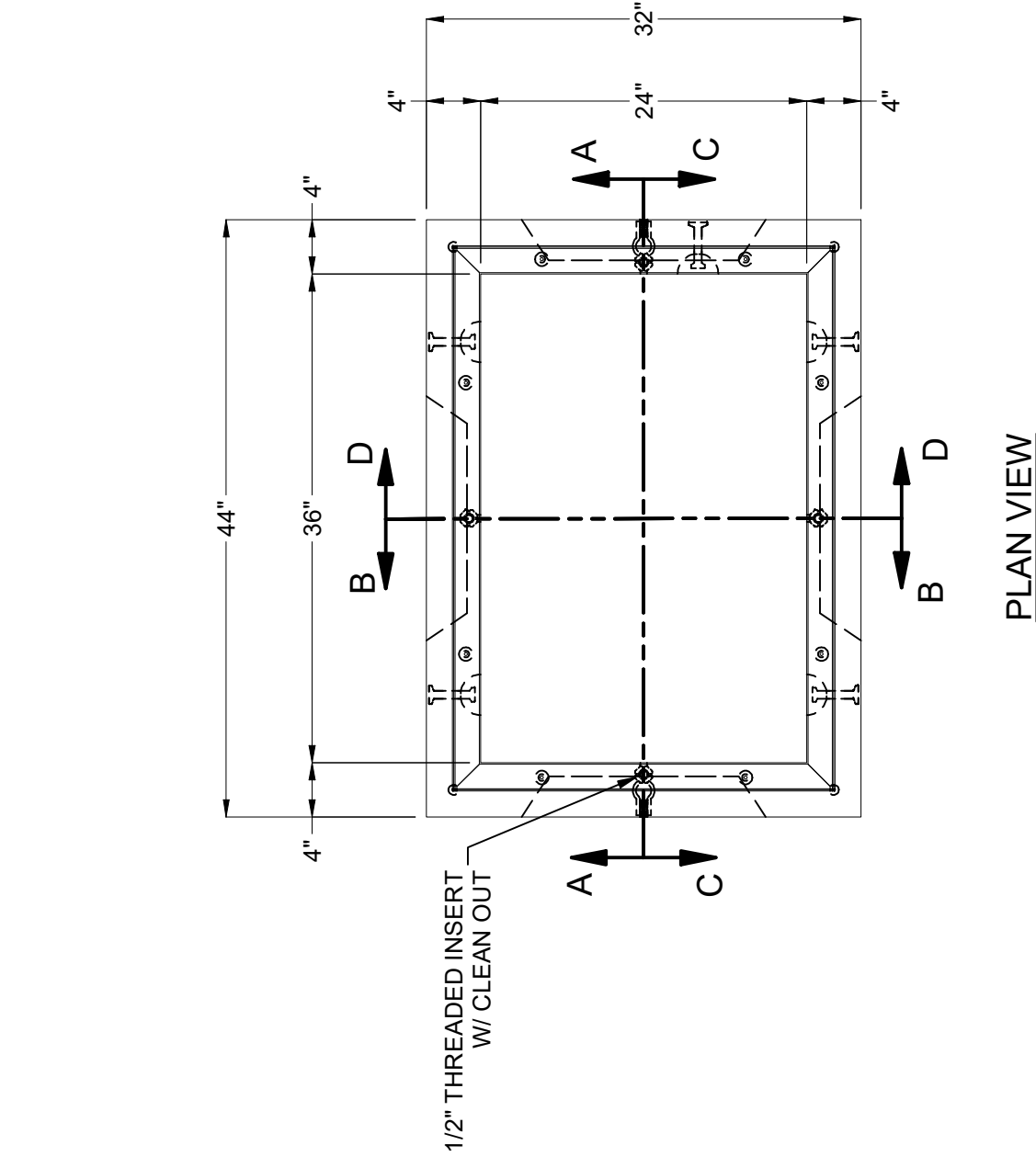
REVISION HISTORY	
REV	DESCRIPTION
C	UPDATED LAYOUT PER TRAFFIC DESIGN

DATE	12/2/2021	APPROVED
------	-----------	----------

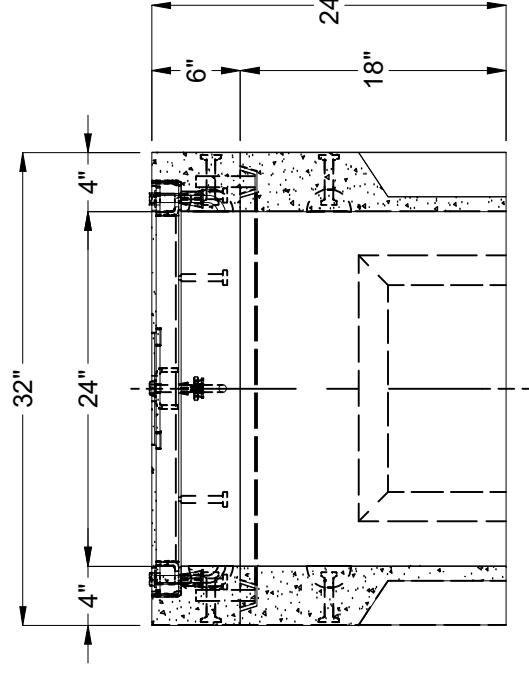
DESCRIPTION:	Pull Box 2436 Layout Assembly SDGE 3313TC
REV:	C-1

PART NUMBER:	100010284	LAYOUT REVIEW
DRAWN BY:	J. Prado	
CREATED:	7/22/2021	MODIFIED:

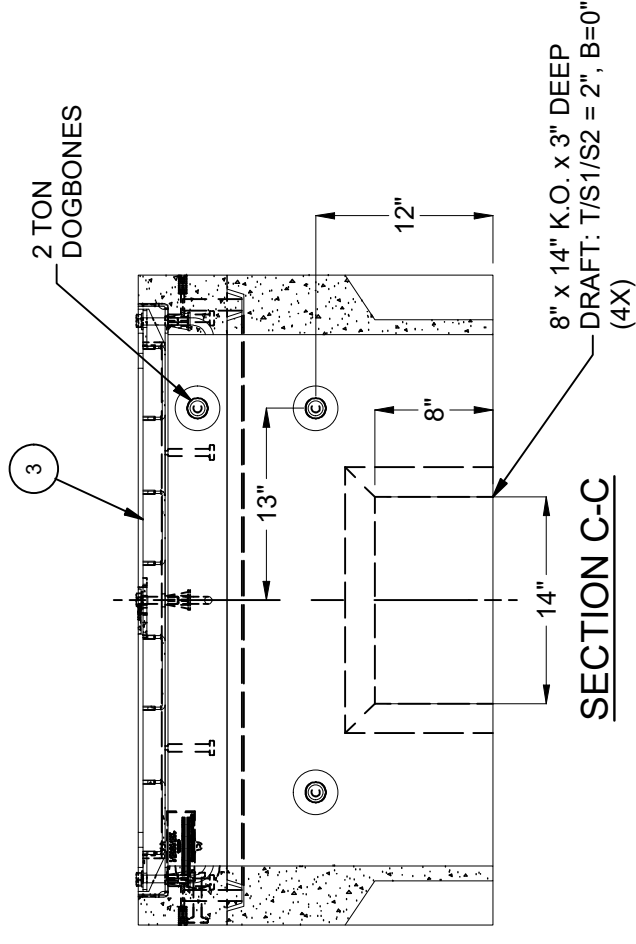
10010284.rpt



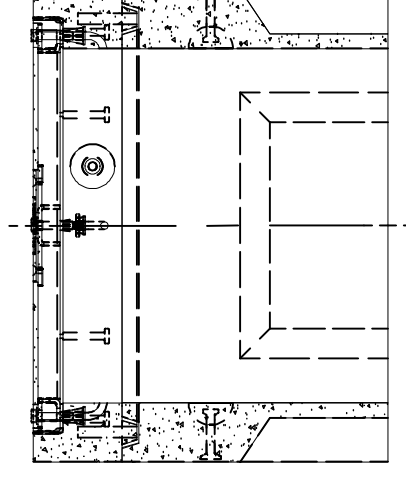
SECTION A-A



SECTION B-B



SECTION C-C



SECTION D-D

BURY DEPTH:	0.0' - 0.0' to Top
WATER LEVEL:	3.0'
DESIGN SPEC:	ASTM C857, ACI 318
AGENCY:	SDGE
APPROX. WEIGHT:	1115.25 Lbs
LOADING SPEC:	A-16 (AASHTO HS20-44)
AGENCY SPEC:	3313TC

JENSEN PRECAST EST. 1968
WWW.JENSENPRECAST.COM

©2021 Jensen Precast. All rights reserved. All materials appearing as Jensen Precast documents and the like are proprietary work product and are protected under U.S. copyright and other laws. Unless in conjunction with business conducted with Jensen Precast, any use of Jensen Precast work product without express, written consent is prohibited, and recipient is prohibited from distributing any and all work product to non-approved third parties under penalty of civil action.

DESCRIPTION:	Pull Box 2436 Layout Assembly SDGE 3313TC
PART NUMBER:	100010284
CREATED:	7/22/2021
LAYOUT REVIEW	J. Prado
DRAWN BY:	J. Prado
MODIFIED:	12/2/2021