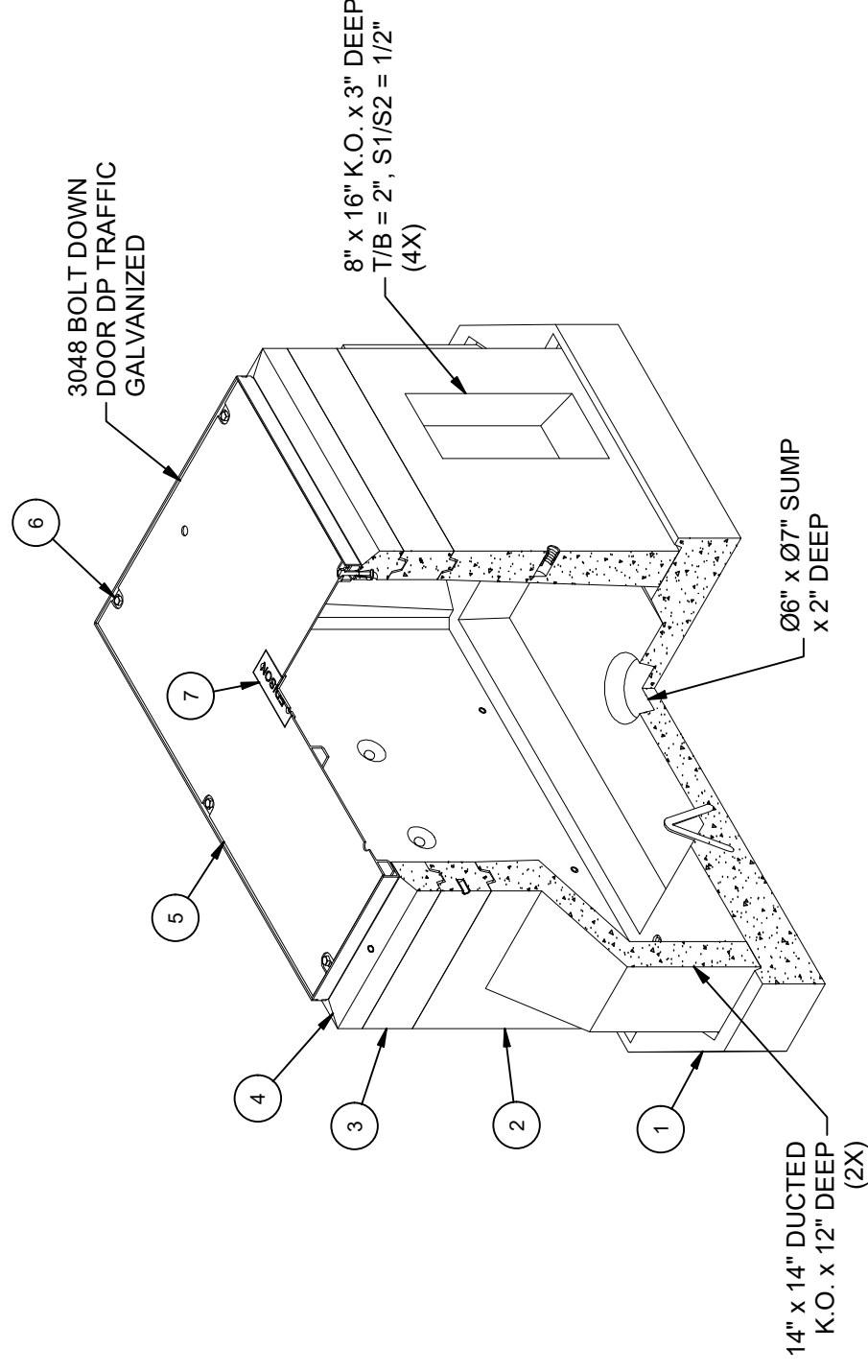


DESIGN NOTES

- DESIGNED IN ACCORDANCE WITH AASHTO HS20-44 TRAFFIC BRIDGE LOADING USING 5,500 PSI COMPRESSIVE STRENGTH CONCRETE AND 60,000 PSI YIELD STRENGTH ASTM A-706 STEEL REINFORCEMENT PER CALCS. #31639.
- COVER DESIGNED FOR 16,000 LB LOAD ON 10" X 20" FOOTPRINT, WITH 30% IMPACT RESTRICTED TO UNRESTRICTED PARKING LANES AND ALLEYS WHERE TRAFFIC SPEED IS LIMITED TO 15 MILES PER HOUR. (ASTM LOAD LEVEL 5)
- MINIMUM EXCAVATION SIZE: 4'-6" X 7'-10" X DEPTH REQ'D.
- VAULT TO BE PLACED ON A MIN. 6" BASE OF CRUSHER RUN FOR EASE OF INSTALLATION AND EVEN LOAD DISTRIBUTION.
- ALL PARTS TO BE STENCILED: MFG DATE / JOB NUMBER / PRODUCT ID / WEIGHT.
- FOR COMPLETE DESIGN AND PRODUCT INFORMATION CONTACT JENSEN PRECAST.

BILL OF MATERIALS

| ITEM | UNIT QTY | QTY | PART NUMBER | DESCRIPTION | MASS (lb) |
|------|----------|----------|-------------|---|-----------|
| 1 | 1 | 1 | 100012137 | Intercept 3048x6.5 Slab Bottom Sump Edison | 1573 |
| 2 | 1 | 1 | 100012157 | Intercept Riser 3048x27 Knockout Ducted Edison | 1669 |
| 3 | 1 | 1 | 100012147 | Riser 3048x6 | 348 |
| 4 | 1 | 1 | 100012151 | Top Riser 3048x6 Cast-In Frame LADWP | 277 |
| 5 | 1 | 1 | 100006634 | DOOR 3048 INC DP GALV TGV | 250 |
| 6 | 1 | 6 | 100007123 | PENTA BOLT 1/2-13 UNC 2-1/2 7/8HEAD 304SS | |
| 7 | 1 | 1 | 100006743 | NAME PLATE SS - EDISON | |
| 8 | 1 | 1 | 100007650 | NAME PLATE HARDWARE KIT | |
| 9 | 1,000 ul | 1,000 ul | 100005749 | SEALANT JOINT BUTYL RUBBER ASTM C-990 AND M198 CS-102 1IN EQUIV X14.5FT PER BOX 118FT | |



ISOMETRIC VIEW

LIFTING NOTES

- FIELD INSTALLATION: PLANT DEMOLDING: MINIMUM HANDLING CONCRETE STRENGTH F_c = 5500 PSI RIGGING EQUALIZER REQUIRED TO EQUALIZE LOAD TO 4 LIFTING POINTS WITH A SLING ANGLE BETWEEN 60° AND 90°
- BURY DEPTH: 0.0' - 0.0' to Top
- WATER LEVEL: 3.0' APPROX. WEIGHT: 4118.06 Lbs
- DESIGN SPEC: ACI 318, ASTM C857 LOADING SPEC: A-16 (AASHTO HS20-44)
- AGENCY: Edison AGENCY SPEC: HP220, PB-4

REVISION HISTORY

| REV | DESCRIPTION | DATE | APPROVED |
|-----|---------------------------------|----------|----------|
| C | REPLACED CONCRETE MIX TO EDISON | 4/3/2024 | |

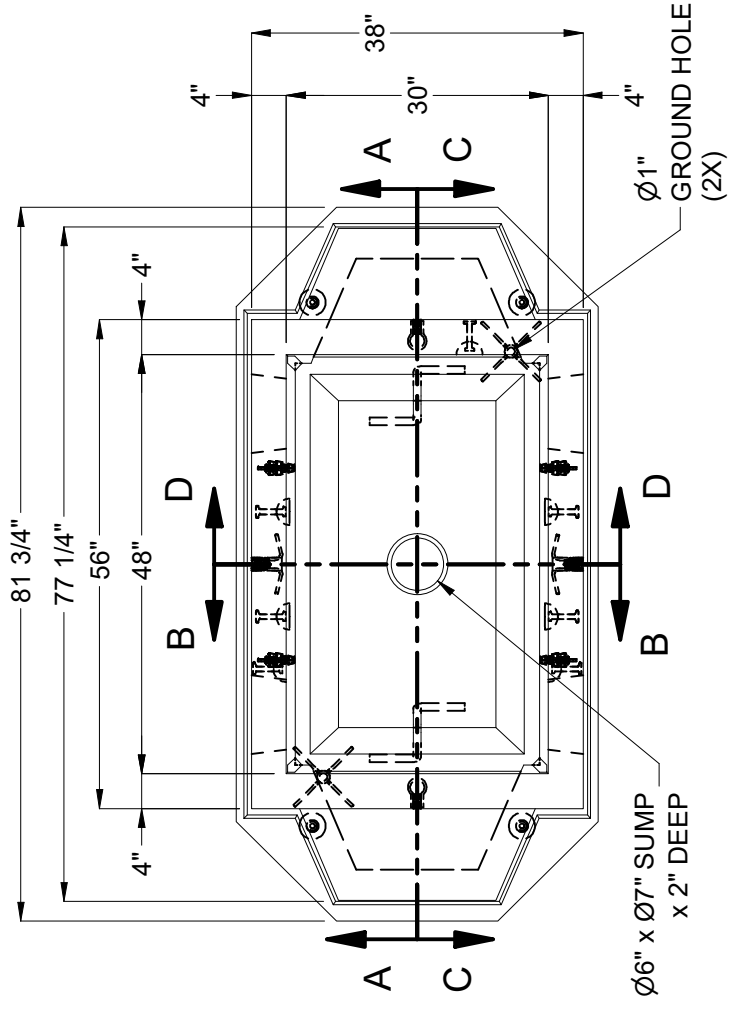
DESCRIPTION: Intercept Vault Layout 3048x42 Knockout Ducted, Sump 30"x48" Edison HP220, PB-4 Traffic
 PART NUMBER: 100010312 LAYOUT REVIEW
 DRAWN BY: J. Prado
 CREATED: 6/14/2019 MODIFIED: 4/3/2024

©2024 Jensen Precast. All rights reserved. All materials appearing as Jensen Precast documents and the like are proprietary work product and are protected under U.S. copyright and other laws. Unless in conjunction with business conducted with Jensen Precast, any use of Jensen Precast work product without express, written consent is prohibited, and recipient is prohibited from distributing any and all work product to non-approved third parties under penalty of civil action.

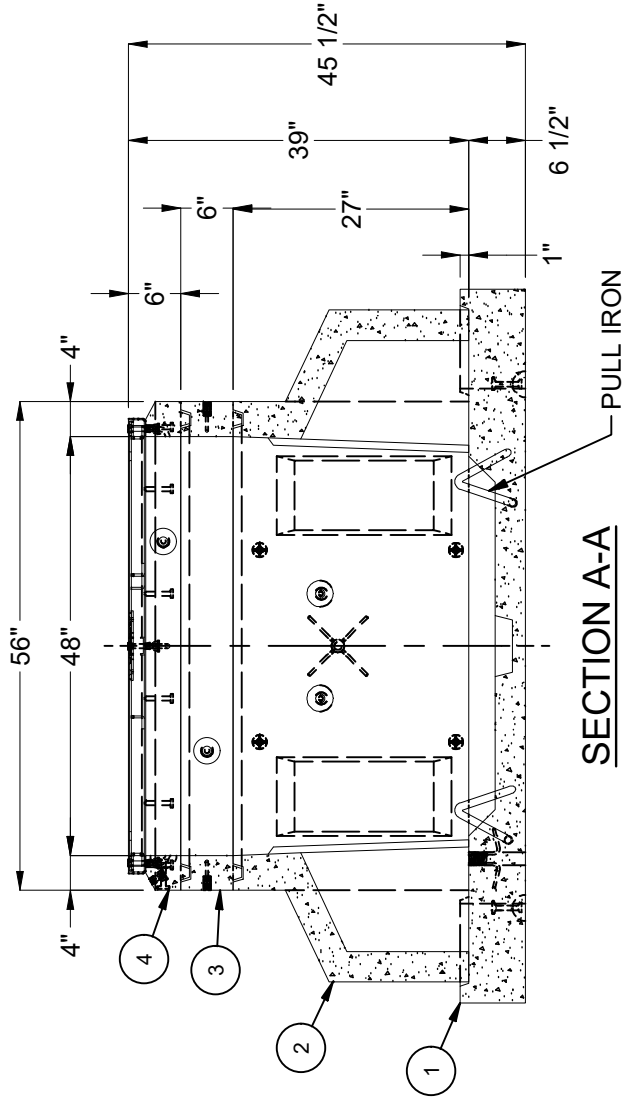
JENSEN PRECAST EST. 1968
 WWW.JENSENPRECAST.COM

| | |
|--------|-----|
| REV: | C-1 |
| SHEET: | 12 |
| 1 OF 2 | |

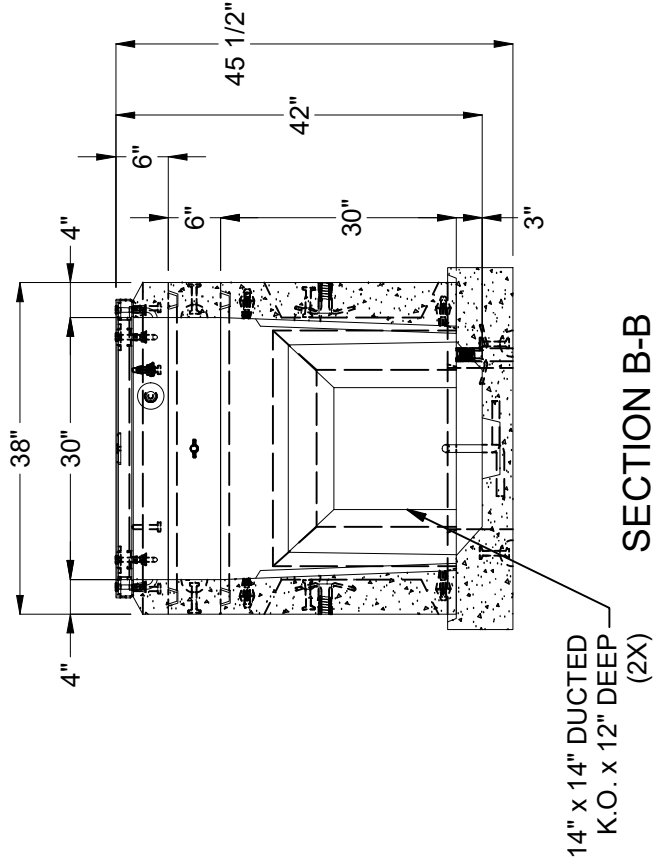
10010312



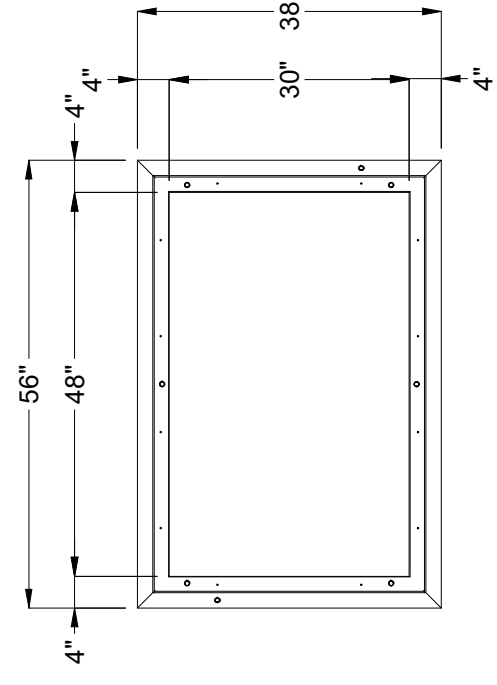
PLAN VIEW W/O TOP SECTION



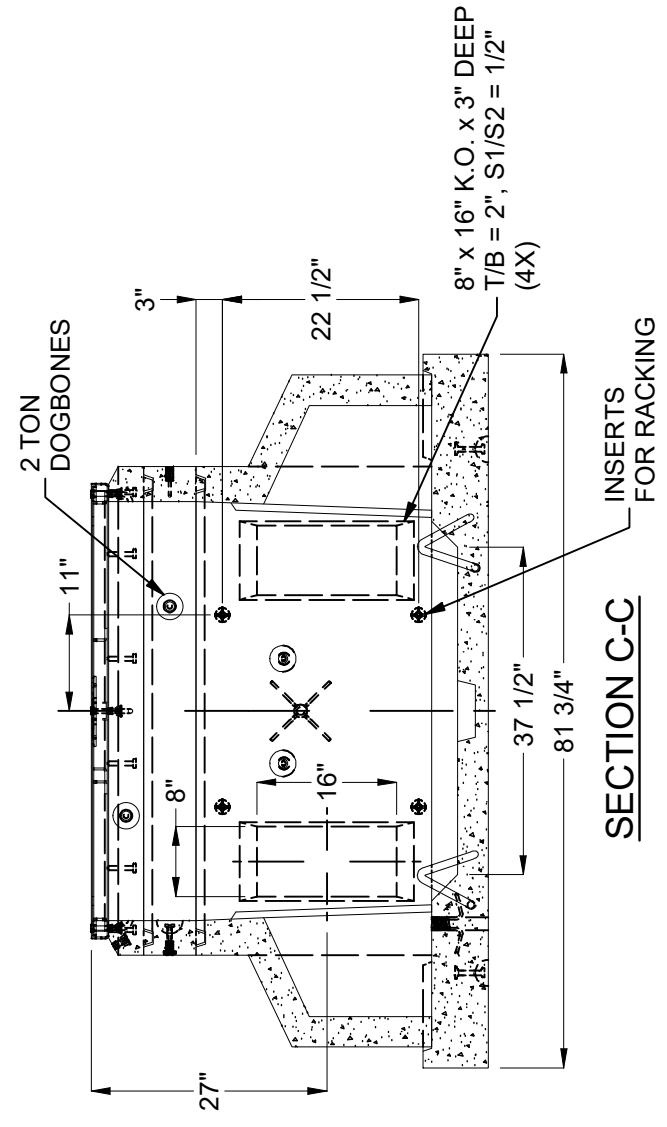
SECTION A-A



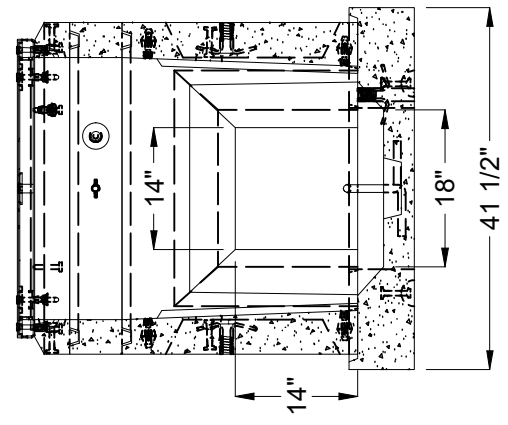
SECTION B-B



PLAN VIEW OF TOP SECTION



SECTION C-C



SECTION D-D

| | | | |
|--------------|--------------------|-----------------|-----------------------|
| BURY DEPTH: | 0.0' - 0.0' to Top | | |
| WATER LEVEL: | 3.0' | APPROX. WEIGHT: | 4118.06 Lbs |
| DESIGN SPEC: | ACI 318, ASTM C857 | LOADING SPEC: | A-16 (AASHTO HS20-44) |
| AGENCY: | Edison | AGENCY SPEC: | HP220, PB-4 |

JENSEN
PRECAST

EST. 1968
WWW.JENSENPRECAST.COM

©2024 Jensen Precast. All rights reserved. All materials appearing as Jensen Precast documents and the like are proprietary work product and are protected under U.S. copyright and other laws. Unless in conjunction with business conducted with Jensen Precast, any use of Jensen Precast work product without express, written consent is prohibited, and recipient is prohibited from distributing any and all work product to non-approved third parties under penalty of civil action.

| | | | |
|--------------|---|---------------|--------------------|
| DESCRIPTION: | Intercept Vault Layout 3048x42 Knockout Ducted, Sump 30"x48" Edison HP220, PB-4 Traffic | | |
| PART NUMBER: | 100010312 | LAYOUT REVIEW | DRAWN BY: J. Prado |
| CREATED: | 6/14/2019 | MODIFIED: | 4/3/2024 |

100010312.rvt