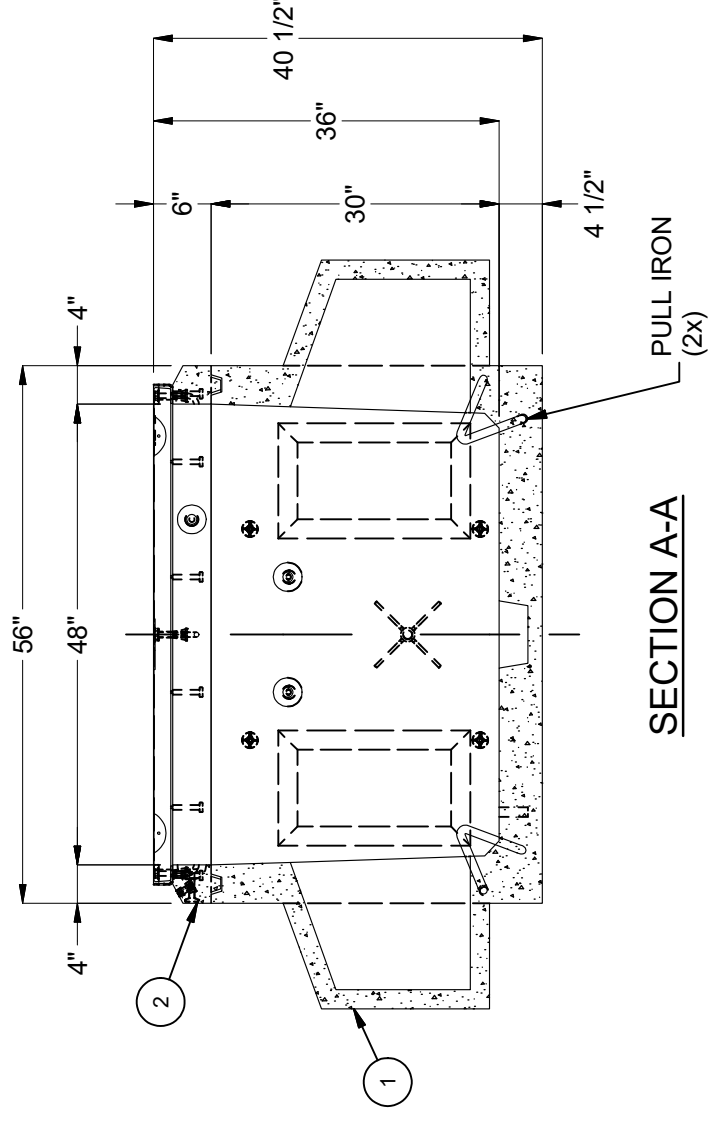
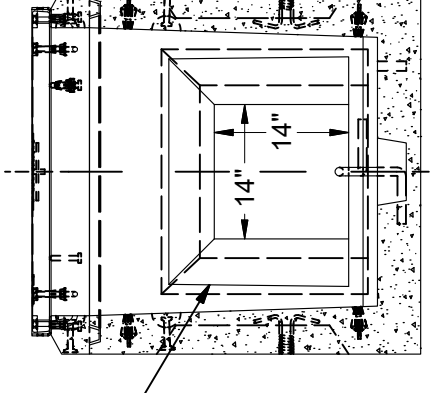


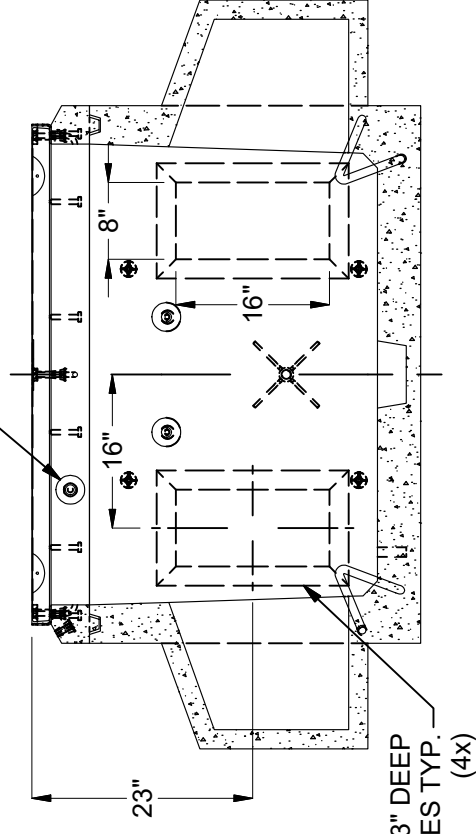
SECTION B-B



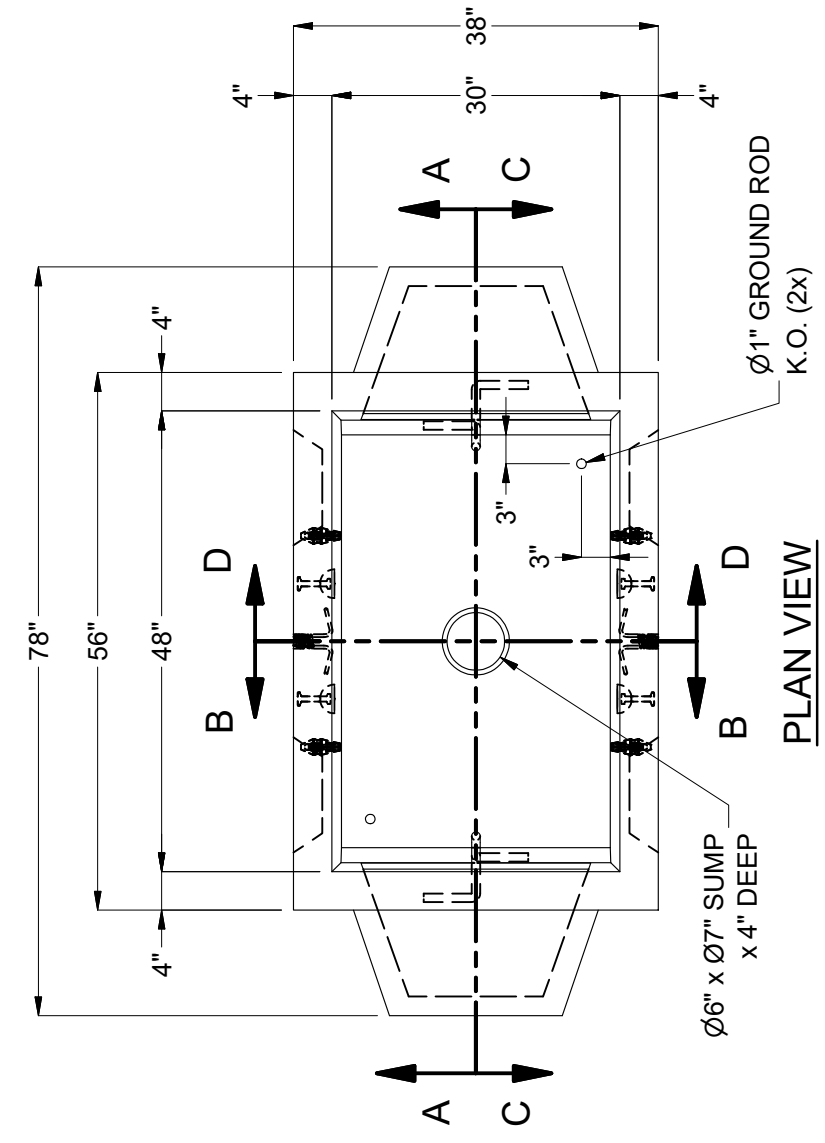
SECTION A-A



SECTION D-D



SECTION C-C



PLAN VIEW

BURY DEPTH:	0.0' - 0.0' to Top	DESCRIPTION:	Vault Layout 3048x36 Knockout Ducted, Sump 3048°C LADWP E-491 G2 RPM	REV:	B-1
WATER LEVEL:	3.0'	APPROX. WEIGHT:	3219.71 Lbs	LAYOUT REVIEW	SHEET: 10
DESIGN SPEC:	ACI 318, ASTM C857	LOADING SPEC:	A-16 (AASHTO HS20-44)	DRAWN BY:	J. Prado
AGENCY:	LADWP	AGENCY SPEC:	E-491 G2	MODIFIED:	4/22/2024
 WWW.JENSENPRECAST.COM			<small>©2024 Jensen Precast. All rights reserved. All materials appearing as Jensen Precast documents and the like are proprietary work product and are protected under U.S. copyright and other laws. Unless in conjunction with business conducted with Jensen Precast, any use of Jensen Precast work product without express, written consent is prohibited, and recipient is prohibited from distributing any and all work product to non-approved third parties under penalty of civil action.</small>		
			PART NUMBER: 100010317 CREATED: 3/20/2024		