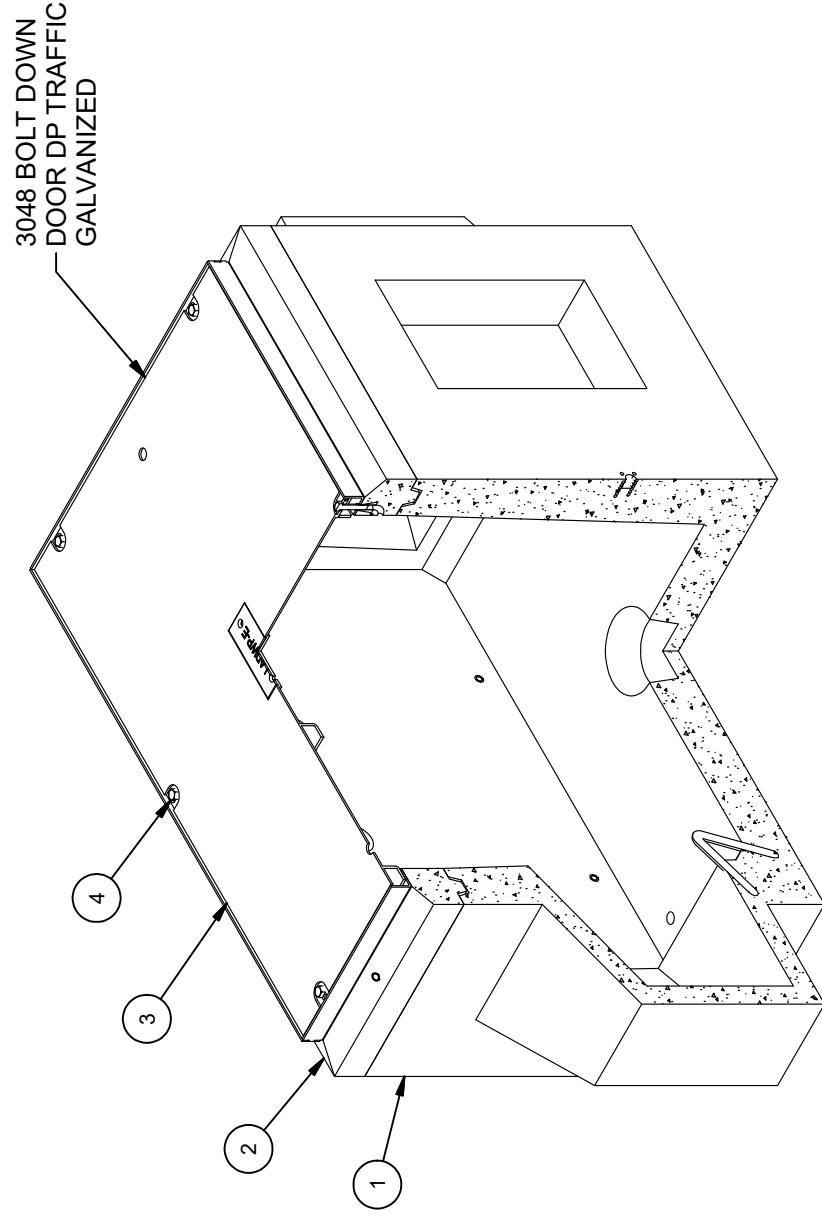


DESIGN NOTES

- DESIGNED IN ACCORDANCE WITH AASHTO HS20-44 TRAFFIC BRIDGE LOADING USING 5,500 PSI COMPRESSIVE STRENGTH CONCRETE AND 60,000 PSI YIELD STRENGTH ASTM A-706 STEEL REINFORCEMENT PER CALCS. #31603.
- COVER DESIGNED FOR 16,000 LB LOAD ON 10" X 20" FOOTPRINT, WITH 30% IMPACT RESTRICTED TO UNRESTRICTED PARKING LANES AND ALLEYS WHERE TRAFFIC SPEED IS LIMITED TO 15 MILES PER HOUR. (ASTM LOAD LEVEL 5)
- MINIMUM EXCAVATION SIZE: 4'-2" X 7'-6" X DEPTH REQ'D.
- VAULT TO BE PLACED ON A MIN. 6" BASE OF CRUSHER RUN FOR EASE OF INSTALLATION AND EVEN LOAD DISTRIBUTION.
- ALL PARTS TO BE STENCILED: MFG DATE / JOB NUMBER / PRODUCT ID / WEIGHT.
- FOR COMPLETE DESIGN AND PRODUCT INFORMATION CONTACT JENSEN PRECAST.

BILL OF MATERIALS

ITEM	UNIT QTY	QTY	PART NUMBER	DESCRIPTION	MASS (lb)
1	1	1	100003500	Vault 3048x30 Rect. Bottom Section Ducted LADWP E-491 G-2, R14	2682
2	1	1	100012151	Top Riser 3048x6 Cast-in Frame LADWP	277
3	1	1	100006637	DOOR 3048 DI INC TRX GALV TSRGV	238
4	1	6	100007123	PENTA BOLT 1/2-13 UNC 2-1/2 7/8HEAD 304SS	
5	1	1	100006748	NAME PLATE SS - LADWP-E	
6	1	1	100007650	NAME PLATE HARDWARE KIT	
7	1.000 ul	1.000 ul	100005749	SEALANT JOINT BUTYL RUBBER ASTM C-990 AND M198 CS-102 1IN EQUIV X14.5FT PER BOX 118FT	



ISOMETRIC VIEW

LIFTING NOTES

FIELD INSTALLATION: PLANT DEMOLDING: MINIMUM HANDLING CONCRETE STRENGTH F<sub>c</sub> = 5500 PSI RIGGING EQUALIZER REQUIRED TO EQUALIZE LOAD TO 4 LIFTING POINTS WITH A SLING ANGLE BETWEEN 60° AND 90°

BURY DEPTH:	0.0' - 0.0' to Top		
WATER LEVEL:	3.0'	APPROX. WEIGHT:	3198.6 Lbs
DESIGN SPEC:	ACI 318, ASTM C857	LOADING SPEC:	A-16 (AASHTO HS20-44)
AGENCY:	LADWP	AGENCY SPEC:	E-491 G2



©2024 Jensen Precast. All rights reserved. All materials appearing as Jensen Precast documents and the like are proprietary work product and are protected under U.S. copyright and other laws. Unless in conjunction with business conducted with Jensen Precast, any use of Jensen Precast work product without express, written consent is prohibited, and recipient is prohibited from distributing any and all work product to non-approved third parties under penalty of civil action.

REVISION HISTORY		DATE	APPROVED
REV	DESCRIPTION	DATE	APPROVED
B-1	INITIAL RELEASE INVENTOR	4/22/2024	

DESCRIPTION: Vault Layout 3048x36 Knockout Ducted Sump 3048°C LADWP E-491 G2 Traffic TRX GALV LAYOUT DRAWING

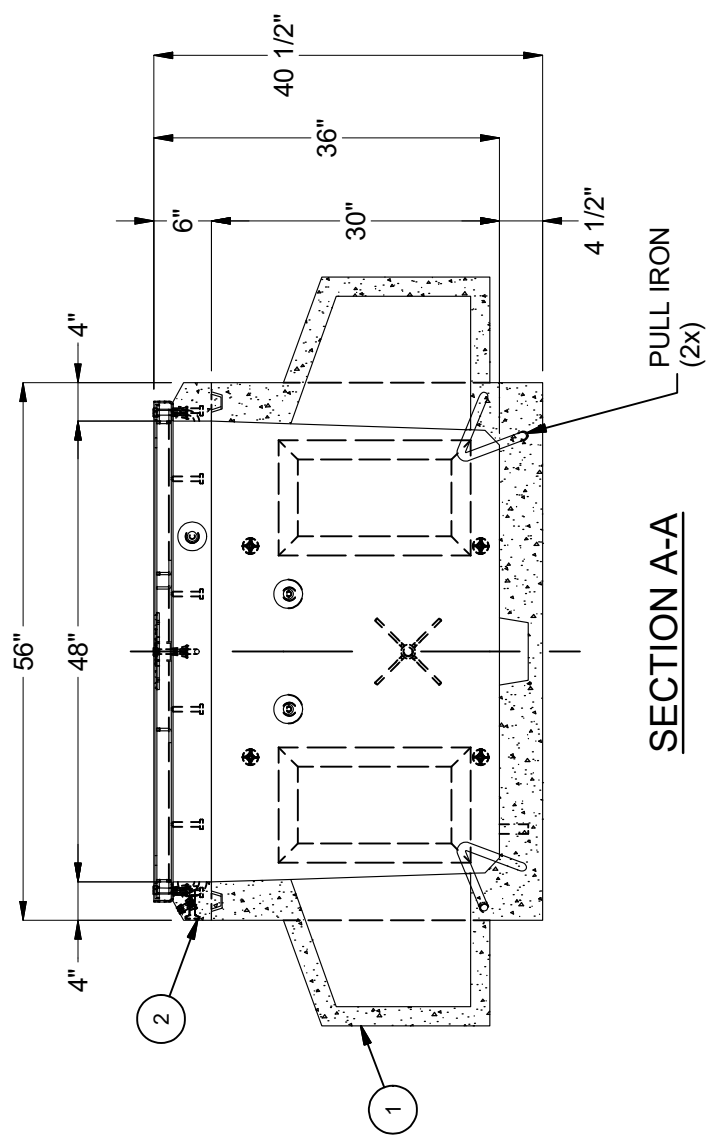
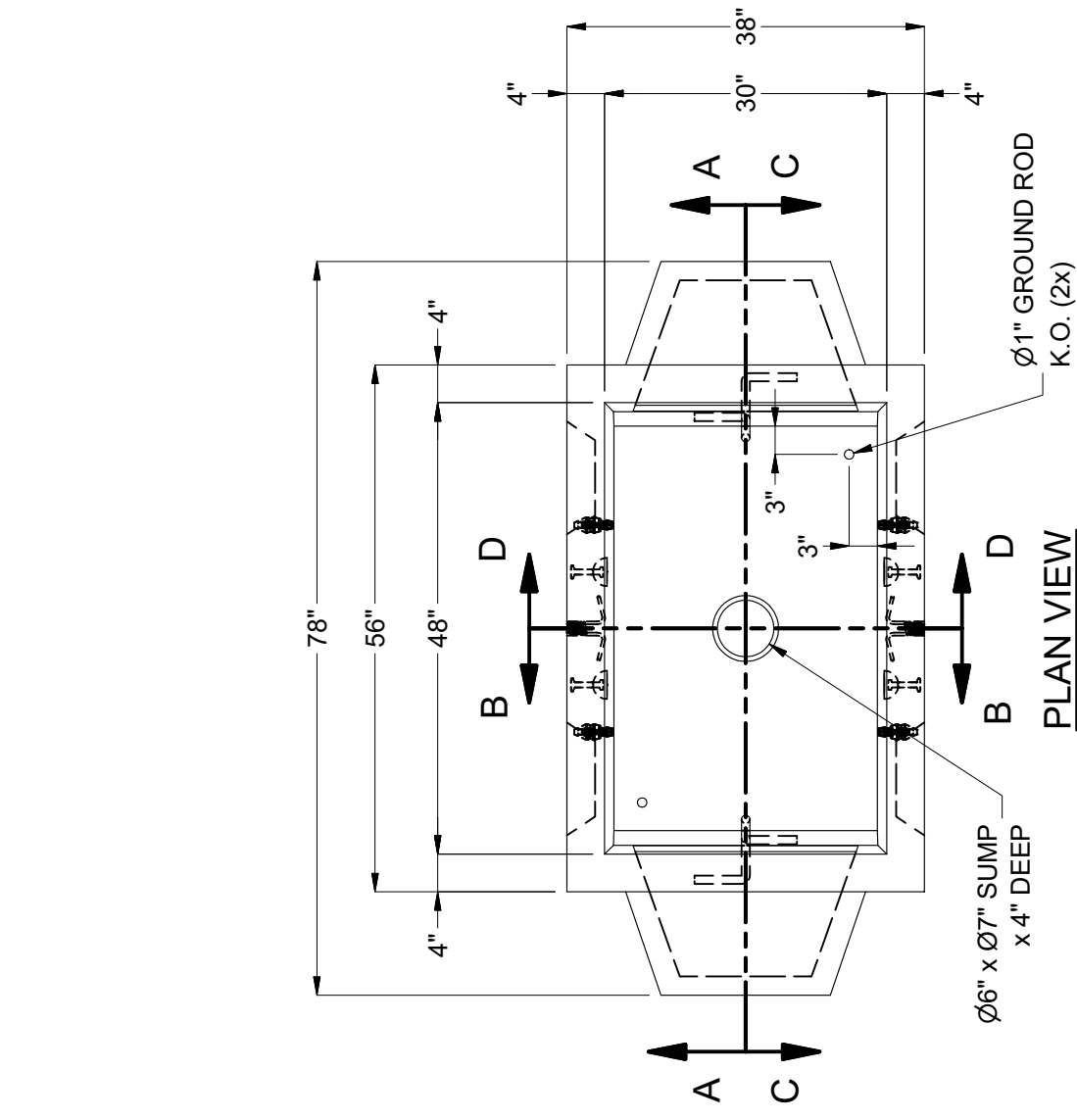
REV: B-1

PART NUMBER: 100010318 DRAWN BY: J. Prado

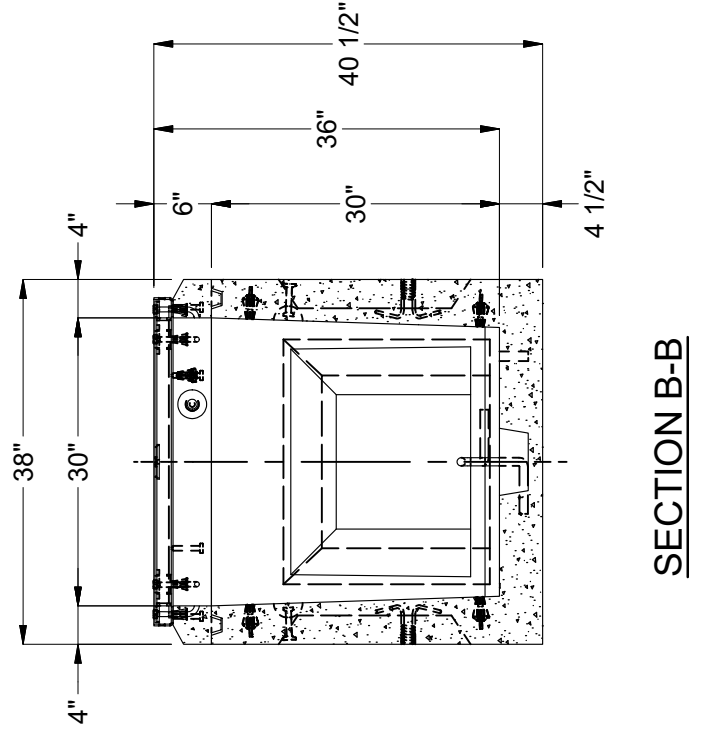
CREATED: 3/20/2024 MODIFIED: 4/22/2024

SHEET: 1 OF 2

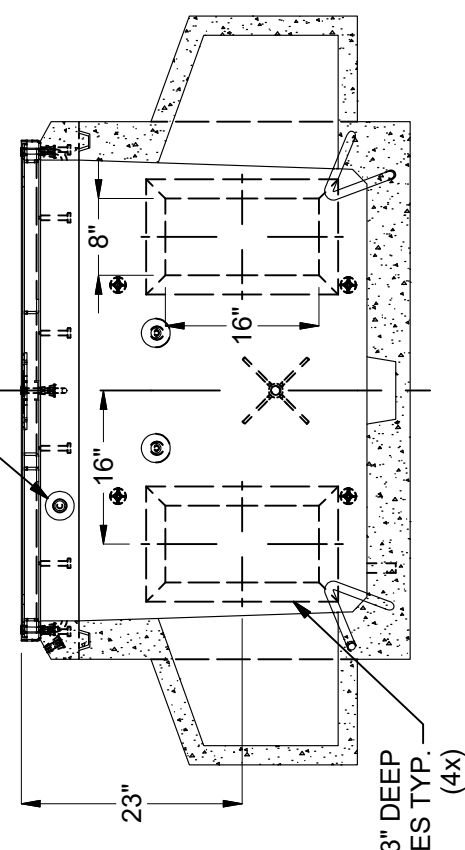
MP181E010001



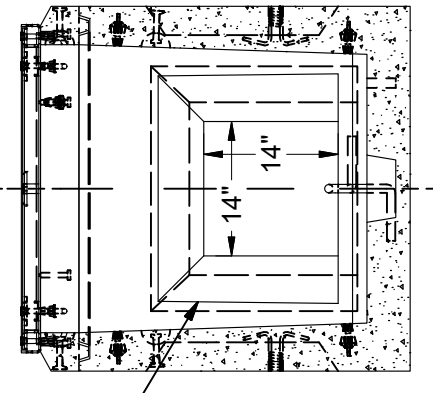
**SECTION A-A**



**SECTION B-B**



**SECTION C-C**



**SECTION D-D**

BURY DEPTH:	0.0' - 0.0' to Top		
WATER LEVEL:	3.0'	APPROX. WEIGHT:	3198.6 Lbs
DESIGN SPEC:	ACI 318, ASTM C857	LOADING SPEC:	A-16 (AASHTO HS20-44)
AGENCY:	LADWP	AGENCY SPEC:	E-491 G2

EST. 1968  
WWW.JENSENPRECAST.COM

©2024 Jensen Precast. All rights reserved. All materials appearing as Jensen Precast documents and the like are proprietary work product and are protected under U.S. copyright and other laws. Unless in conjunction with business conducted with Jensen Precast, any use of Jensen Precast work product without express, written consent is prohibited, and recipient is prohibited from distributing any and all work product to non-approved third parties under penalty of civil action.

DESCRIPTION:	Vault Layout 3048x36 Knockout Ducted, Sump 3048x36 LADWP E-491 G2 Traffic TRX GALV		
PART NUMBER:	100010318	LAYOUT REVIEW	DRAWN BY: J. Prado
CREATED:	3/20/2024	MODIFIED:	4/22/2024
REV:	B-1	SHEET:	2 OF 2