

2'-6" x 4'-0" DUCTED PULL BOX x 3'-0" DEEP

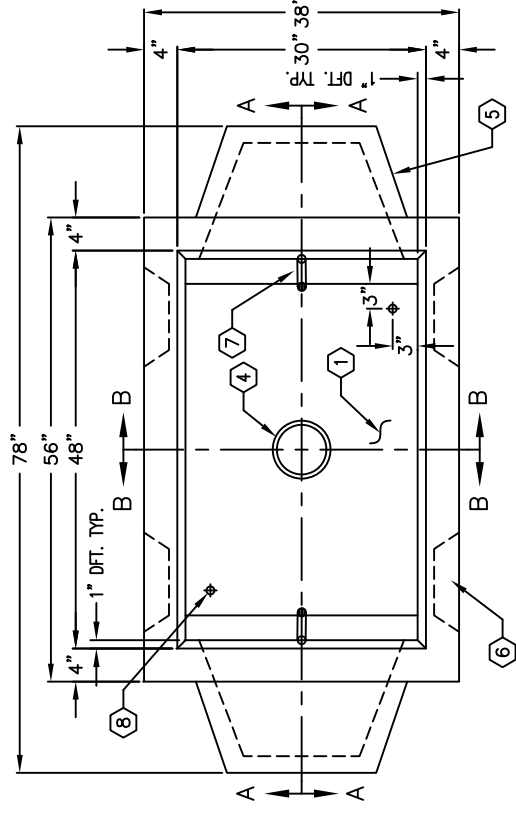
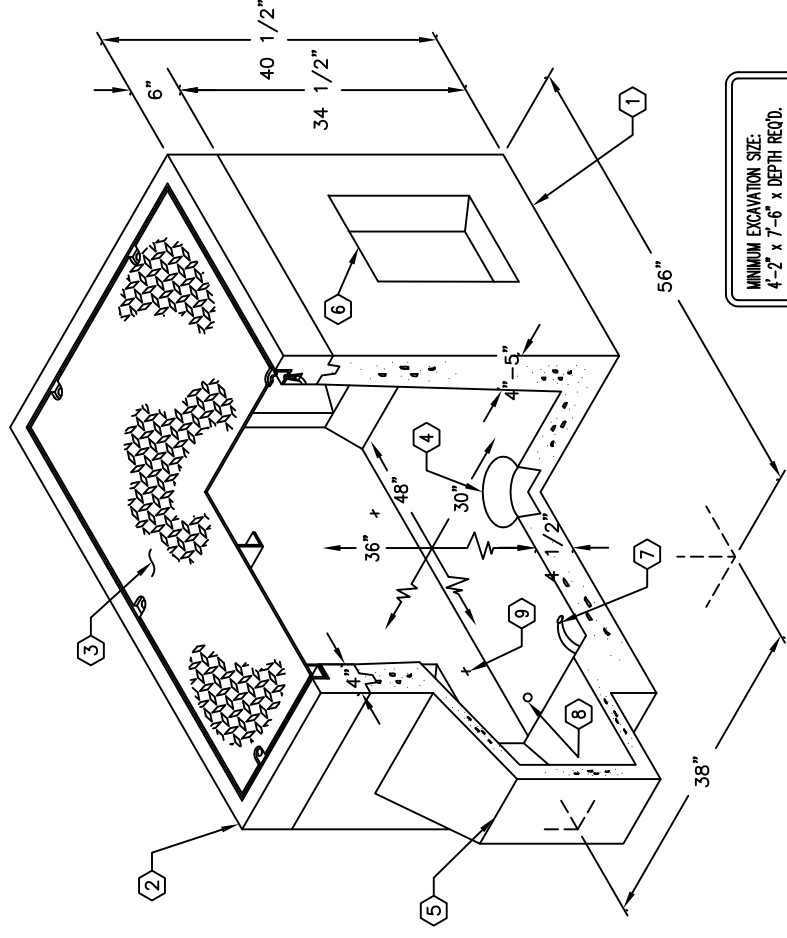
MATERIAL LIST K3048-FP36-14

ITEM	PART NO.	DESCRIPTION	REBAR NO. / LOCATE	MOUNT/ WEIGHT
1	PB3048F-B30-05	30" BOTTOM SECTION	CG-3048D-B30	2,125 lbs
2	PB3048-T6F	6" TOP SECTION	CG-LOOP3-3048	331 lbs
3A	SC3048-PSRAL	(1) PC. SLIP RESISTANT PARKWAY COVER WITH RED PRIMER & ALUM. FINISH MARKED "SBC"		
3B	SC3048-TSRAL	(1) PC. SLIP RESISTANT PARKWAY COVER WITH RED PRIMER & ALUM. FINISH MARKED "SBC"		
5	KNOCK OUT	6" x 7" DIAMETER SUMP x 4" DEEP	BOTTOM SECTION	(1) CORE
6	KNOCK OUT	20" x 20" DUCTED K.O. x 3" DEEP	BOTTOM SECTION	(2) CORE
7	KNOCK OUT	8" x 16" K.O. x 3" DEEP	BOTTOM SECTION	(4) SHELL
8	KNOCK OUT	1" DIA. BLIND GROUND ROD HOLE	BOTTOM SECTION	(2) CORE
9	55-35-06	7/8" DIA. GALV. PULL IRON x 6"	BOTTOM SECTION	(2) CORE
10	55-10-416	1/2" x 1 1/2" P-35T O B INSERT W/CLEAN-OUT	TOP SECTION	(6) FRAME
11	55-10-424	1/2" PLASTIC INSERT	BOTTOM SECTION	(4) CORE

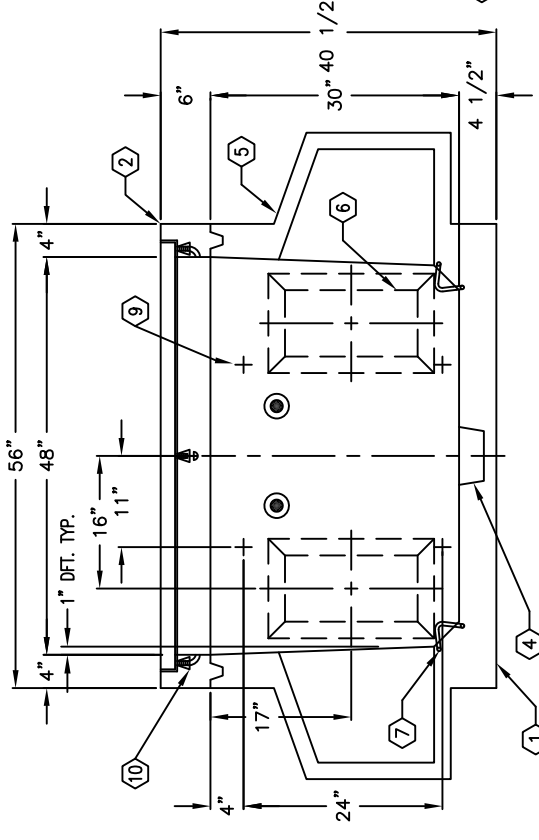
NOTES:

- PULL BOX DESIGNED IN ACCORDANCE WITH AASHTO H-20-44 TRAFFIC BRIDGE LOADING USING 5,500 P.S.I. COMPRESSIVE STRENGTH CONCRETE AND 60,000 P.S.I. YIELD STRENGTH ASTM A-706 STEEL REINFORCING PER CALC. 31639.
 - COVER DESIGNED FOR PARKWAY LOADING 300 psf. OR TRAFFIC LOADING H-20.
 - PULL BOX TO BE PLACED ON A MIN 6" BASE OF CRUSHER RUN FOR EASE OF INSTALLATION AND EVEN LOAD DISTRIBUTION.
 - ALL JOINTS SHALL BE GASKETED WITH CONSEAL.
- RACKING PACKAGE:**
14 HOLE CABLE RACKS W/ BOLTS = 4.
- ORDERING INFORMATION:**
PER SBC SPECS.
TOTAL WEIGHT OF ASSEMBLY IS 2,472 Lbs.

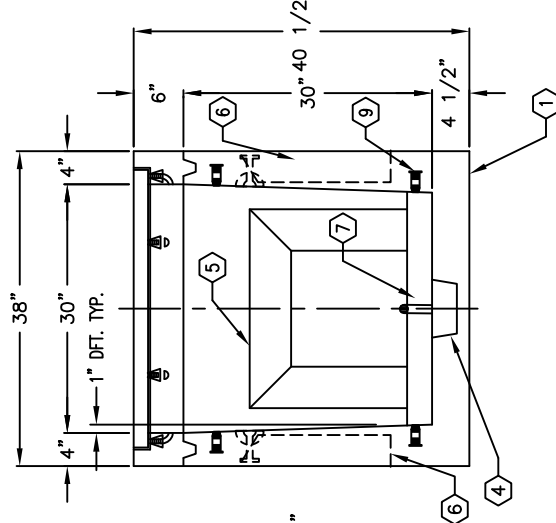
PARKWAY ASSEMBLY WITH STEEL B/D COVER K3048-DP36-14P.
LIGHT TRAFFIC ASSEMBLY WITH STEEL B/D COVER K3048-DP36-14T.



PLAN VIEW



SECTION A-A



SECTION B-B