

2'-6" x 4'-0" FLAT WALL PULL BOX x 36" DEEP

MATERIAL LIST K3048-FP36-14

ITEM	PART NO.	DESCRIPTION	REBAR NO. / LOCATE	MOUNT/ WEIGHT
1	PB3048F-B30-05	30" BOTTOM SECTION	CG-3048F-B30-05	2,125 lbs
2	PB3048-T6F F3048-PB-ANG	6" TOP SECTION GALVANIZED FRAME CAST-IN	CG-LOOP (469 thru 479)	331 lbs
3A	SC3048-PSRAL	(1) PC. SLIP RESISTANT PARKWAY COVER WITH RED PRIMER & ALUM. FINISH MARKED "AT&T"		
3C	SC3048-TSRAL	(1) PC. SLIP RESISTANT PARKWAY COVER WITH RED PRIMER & ALUM. FINISH MARKED "AT&T"		
4	KNOCK OUT	6" x 7" DIAMETER SUMP x 4" DEEP	BOTTOM SECTION	(1) CORE
5	KNOCK OUT	20" x 20" DUCTED K.O. x 3" DEEP	BOTTOM SECTION	(2) CORE
6	KNOCK OUT	8" x 16" K.O. x 3" DEEP	BOTTOM SECTION	(4) SHELL
7	KNOCK OUT	1" DIA. BLIND GROUND ROD HOLE	BOTTOM SECTION	(2) CORE
8	55-35-06	7/8" DIA. GALV. PULL IRON x 6"	BOTTOM SECTION	(2) CORE
9	55-10-416	1/2" x 1 1/2" P-35T O B INSERT W/CLEAN-OUT	TOP SECTION	(6) FRAME
10	55-10-424	1/2" PLASTIC INSERT	BOTTOM SECTION	(4) CORE

NOTES:

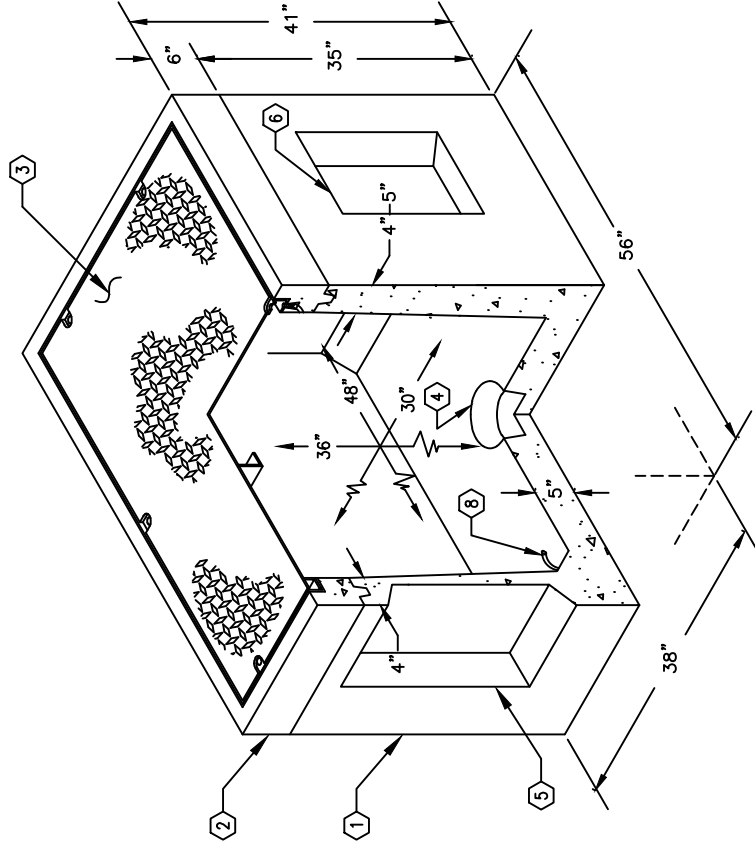
- CONCRETE DESIGNED IN ACCORDANCE WITH AASHTO H-20-44 TRAFFIC LOADING USING 5,500 CONCRETE AND 60,000 PSI ASTM A-706 STEEL REINFORCEMENT, REF. CALC#33302.
- COVER DESIGNED FOR PARKWAY LOADING 300 PSF. OR INCIDENTAL TRAFFIC LOADING H-20.
- PULL BOX TO BE PLACED ON A MIN. 6" BASE OF CRUSHER RUN FOR EASE OF INSTALLATION AND EVEN LOAD DISTRIBUTION.

RACKING PACKAGE:

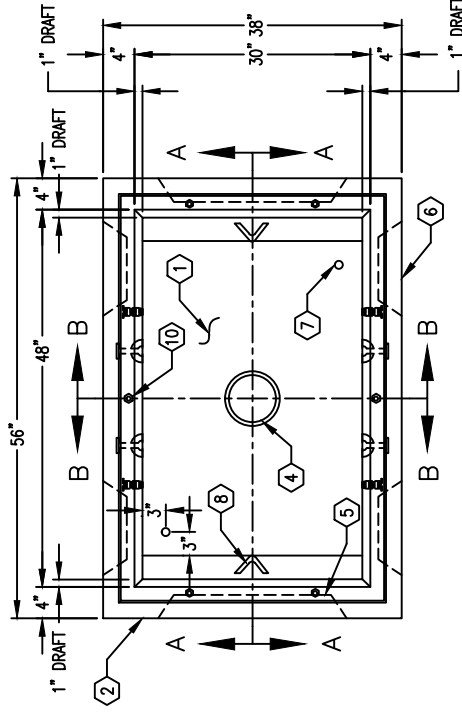
14 HOLE CABLE RACKS W/BOLTS = 4.

PARKWAY ASSEMBLY WITH STEEL B/D COVER K3048-FP36-14P.

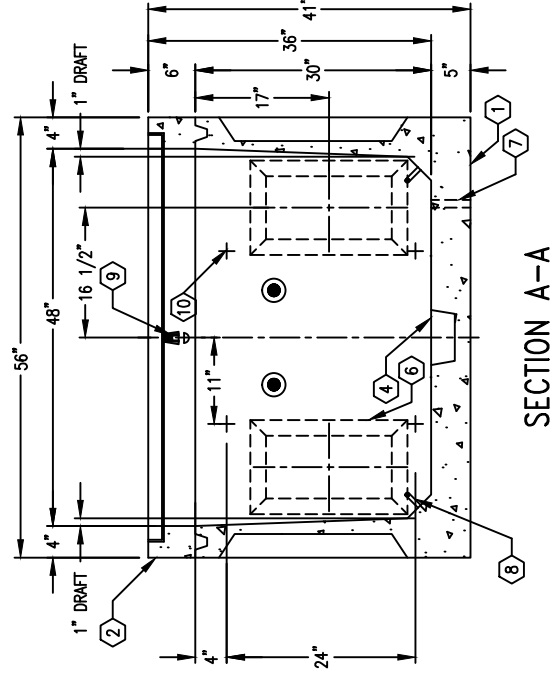
LIGHT TRAFFIC ASSEMBLY WITH STEEL B/D COVER K3048-FP36-14T.



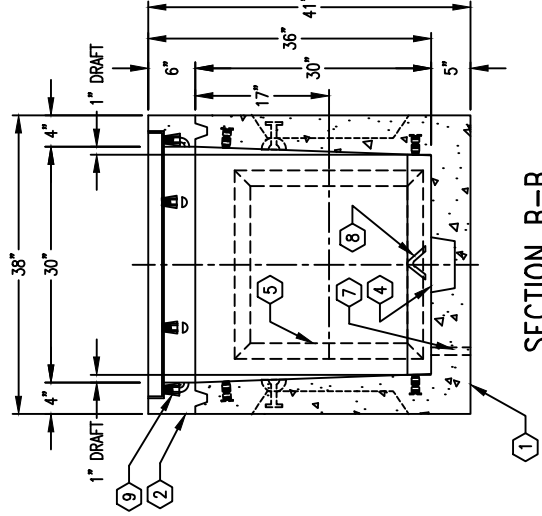
MINIMUM EXCAVATION SIZE:  
3'-8" x 5'-2" x DEPTH REQD.



PLAN VIEW



SECTION A-A



SECTION B-B

#	DATE	DESCRIPTION	BY
A	07-28-15	MARKING "AT&T"	MPM