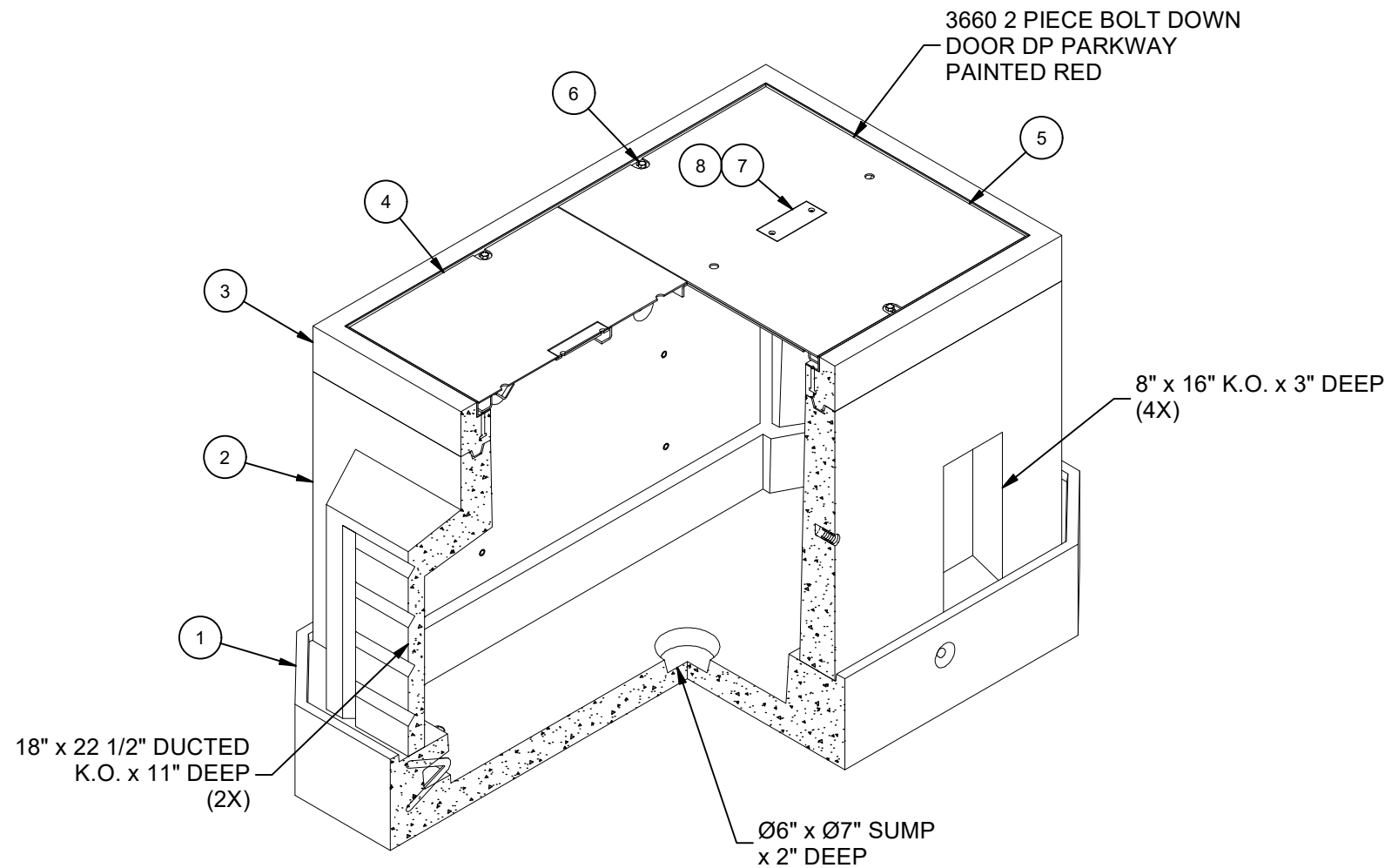


DESIGN NOTES

- DESIGNED IN ACCORDANCE WITH AASHTO HS20-44 TRAFFIC BRIDGE LOADING USING 5,500 PSI COMPRESSIVE STRENGTH CONCRETE AND 60,000 PSI YIELD STRENGTH ASTM A-706 STEEL REINFORCEMENT PER CALCS. #31435.
- COVER DESIGNED FOR 300 PSF, OR 600 lb LOAD ON 5.5" x 5.5" FOOTPRINT RESTRICTED TO AREAS OF PEDESTRIAN USE AND LIGHT MAINTENANCE VEHICLES USE, AND OTHER AREAS THAT ARE INACCESSIBLE TO ALL OTHER VEHICLE TRAFFIC.
- MINIMUM EXCAVATION SIZE: 5'-0" X 8'-7" X DEPTH REQ'D.
- VAULT TO BE PLACED ON A MIN. 6" BASE OF CRUSHER RUN FOR EASE OF INSTALLATION AND EVEN LOAD DISTRIBUTION.
- ALL PARTS TO BE STENCILED: MFG DATE / JOB NUMBER / PRODUCT ID / WEIGHT.
- FOR COMPLETE DESIGN AND PRODUCT INFORMATION CONTACT JENSEN PRECAST.

BILL OF MATERIALS

ITEM	UNIT QTY	QTY	PART NUMBER	DESCRIPTION	MASS (lb)
1	1	1	100012332	Intercept 3660x6.75 Slab Bottom Sump Edison	2760
2	1	1	100012325	Intercept Riser 3660x35.5 Knockout Ducted Edison	2974
3	1	1	100012200	Top Riser 3660x6 Cast-In Frame	513
4	1	1	100006527	DOOR BOT 3660 PED DROP-IN DP PNT RED	99
5	1	1	100006548	DOOR TOP 3660 PED DROP-IN DP PNT RED	107
6	1	4	100004349	BOLT HEX 1/2-13 UNC 2.5 304SS	
7	1	2	100006739	FONTANA NAME PLATE SS BLANK	
8	1	2	100007650	NAME PLATE HARDWARE KIT	
9	1.000 ul	1.000 ul	100005749	SEALANT JOINT BUTYL RUBBER ASTM C-990 AND M198 CS-102 1IN EQUIV X14.5FT PER BOX 118FT	



ISOMETRIC VIEW

LIFTING NOTES

- FIELD INSTALLATION: PLANT DEMOLDING: MINIMUM HANDLING CONCRETE STRENGTH F'c = 5500 PSI RIGGING EQUALIZER REQUIRED TO EQUALIZE LOAD TO 4 LIFTING POINTS WITH A SLING ANGLE BETWEEN 60° AND 90°

BURY DEPTH:	0.0' - 0.0' to Top		
WATER LEVEL:	3.0'	APPROX. WEIGHT:	6454.48 Lbs
DESIGN SPEC:	ACI 318, ASTM C857	LOADING SPEC:	A-16 (AASHTO HS20-44)
AGENCY:		AGENCY SPEC:	

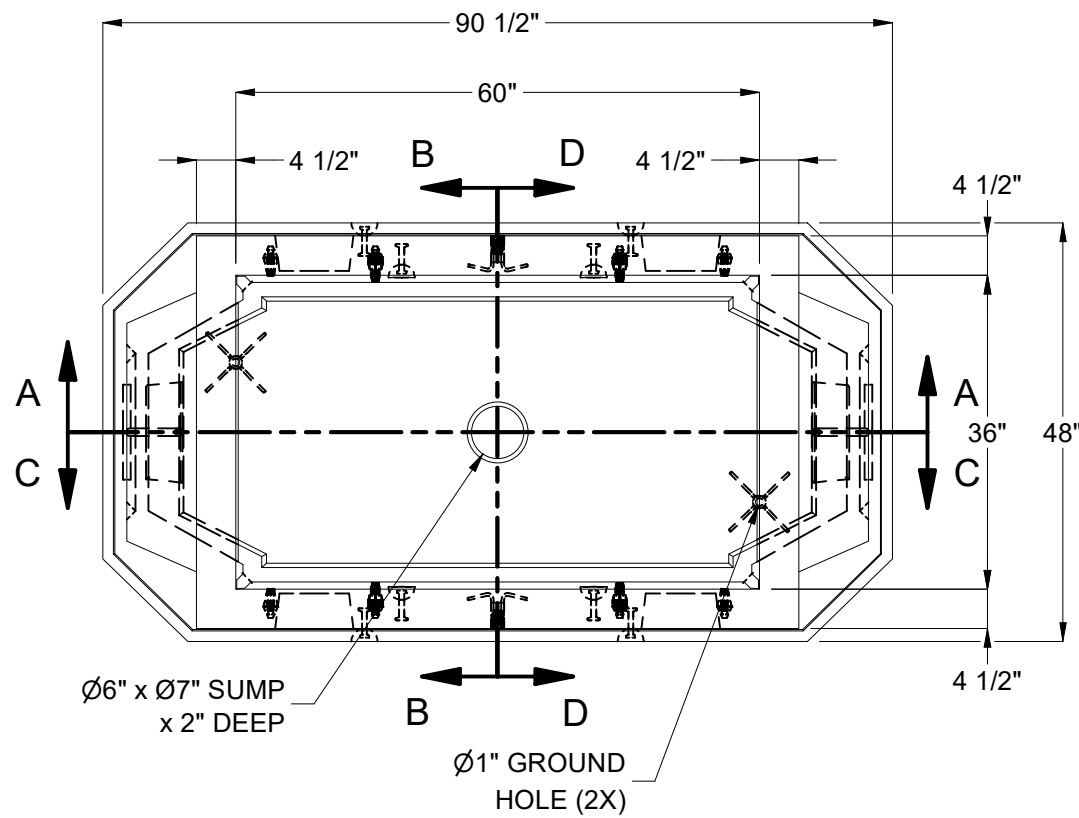


©2024 Jensen Precast- All rights reserved. All materials appearing as Jensen Precast documents and the like are proprietary work product and are protected under U.S. copyright and other laws. Unless in conjunction with business conducted with Jensen Precast, any use of Jensen Precast work product without express, written consent is prohibited, and recipient is prohibited from distributing any and all work product to non-approved third parties under penalty of civil action.

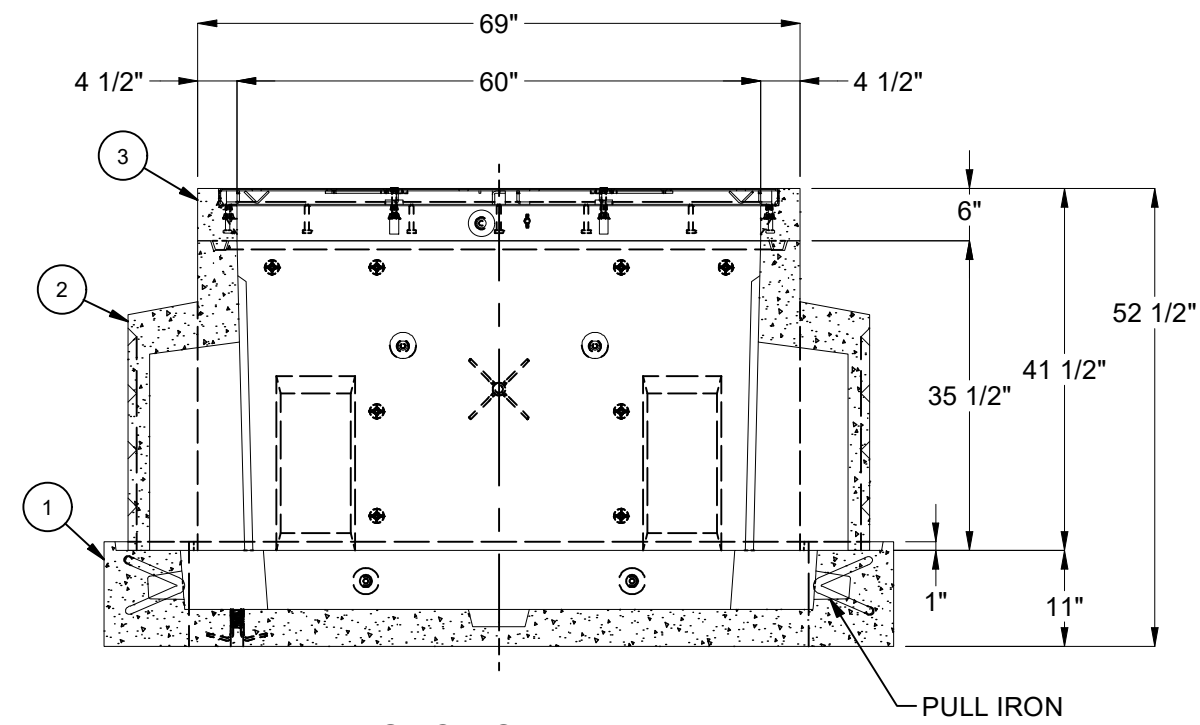
REVISION HISTORY			
REV	DESCRIPTION	DATE	APPROVED
B-1	INITIAL RELEASE INVENTOR	6/19/2024	

DESCRIPTION:	Intercept Vault Layout 3660x48 Knockout Ducted, Sump 36"x60"C Parkway Painted Red		REV:	B-1	
LAYOUT REVIEW					
PART NUMBER:	100010339	DRAWN BY:	J. Prado		
CREATED:	3/20/2024	MODIFIED:	6/19/2024		
				SHEET:	1 OF 2

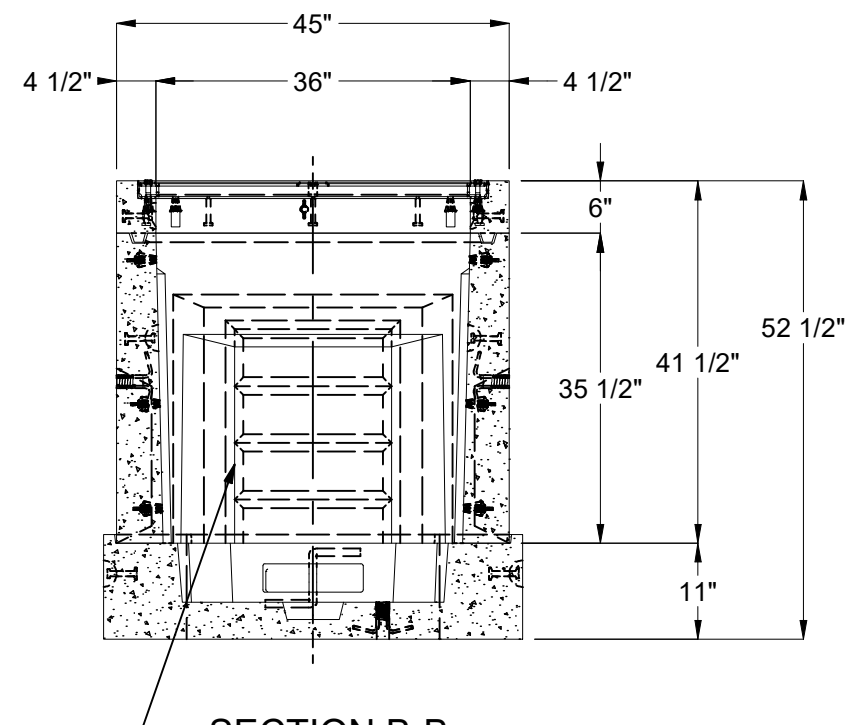
100010339.rdw



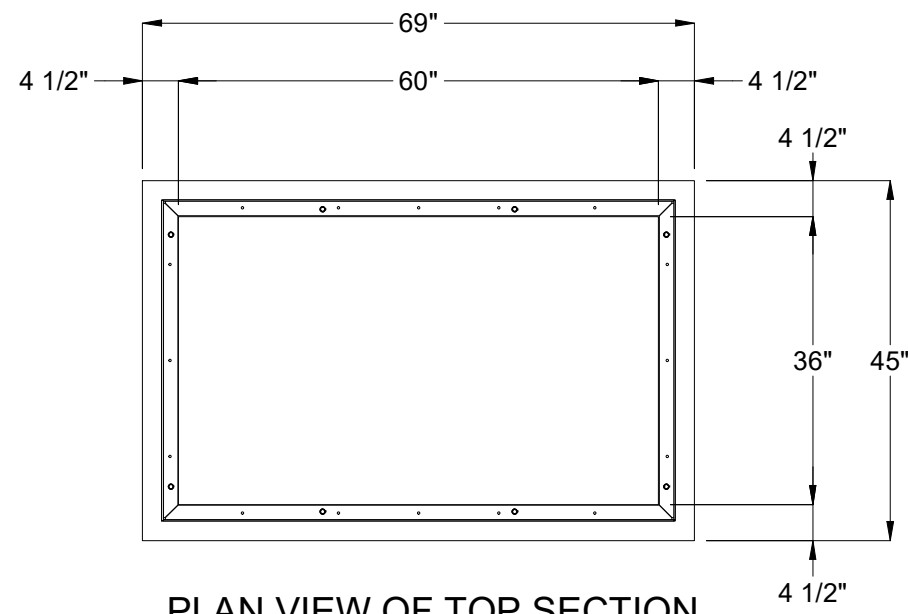
PLAN VIEW W/O TOP SECTION



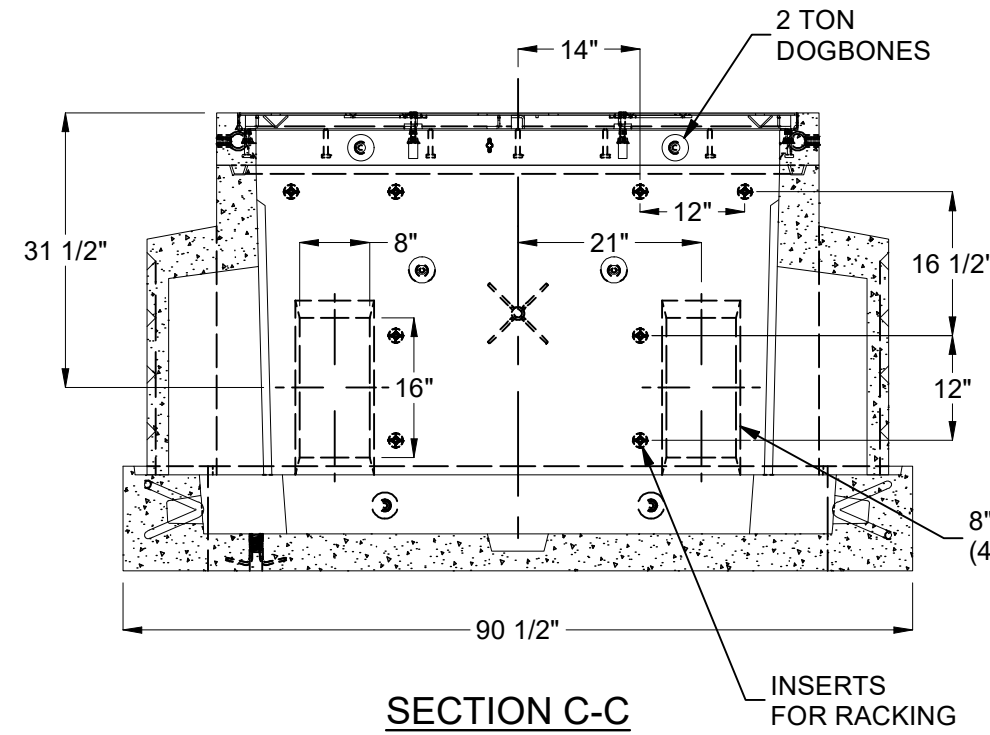
SECTION A-A



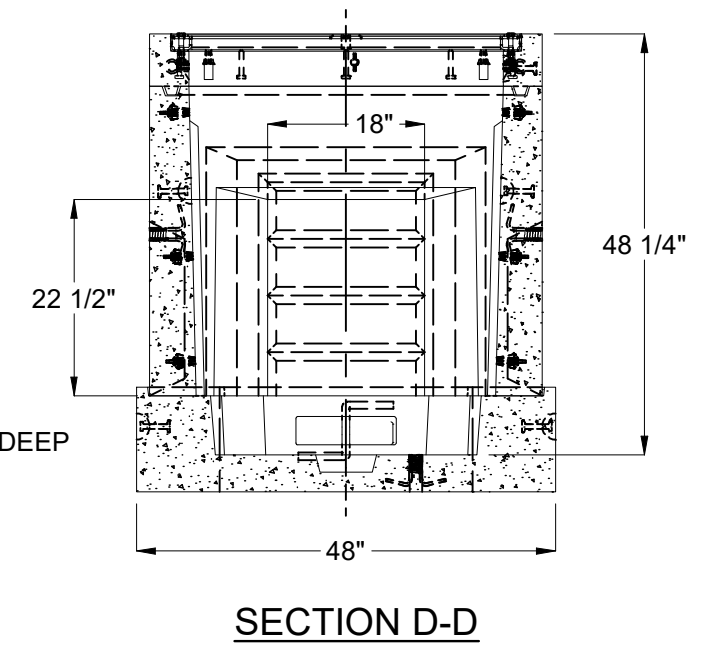
SECTION B-B



PLAN VIEW OF TOP SECTION



SECTION C-C



SECTION D-D

100010339.rdw

BURY DEPTH:	0.0' - 0.0' to Top
WATER LEVEL:	3.0'
DESIGN SPEC:	ACI 318, ASTM C857
AGENCY:	
APPROX. WEIGHT:	6454.48 Lbs
LOADING SPEC:	A-16 (AASHTO HS20-44)
AGENCY SPEC:	

JENSEN PRECAST EST. 1968

WWW.JENSENPRECAST.COM

©2024 Jensen Precast- All rights reserved. All materials appearing as Jensen Precast documents and the like are proprietary work product and are protected under U.S. copyright and other laws. Unless in conjunction with business conducted with Jensen Precast, any use of Jensen Precast work product without express, written consent is prohibited, and recipient is prohibited from distributing any and all work product to non-approved third parties under penalty of civil action.

DESCRIPTION:	Intercept Vault Layout 3660x48 Knockout Ducted, Sump 36"x60"C Parkway Painted Red	
	LAYOUT REVIEW	
PART NUMBER:	100010339	DRAWN BY: J. Prado
CREATED:	3/20/2024	MODIFIED: 6/19/2024

REV:	B-1
SHEET:	2 OF 2