

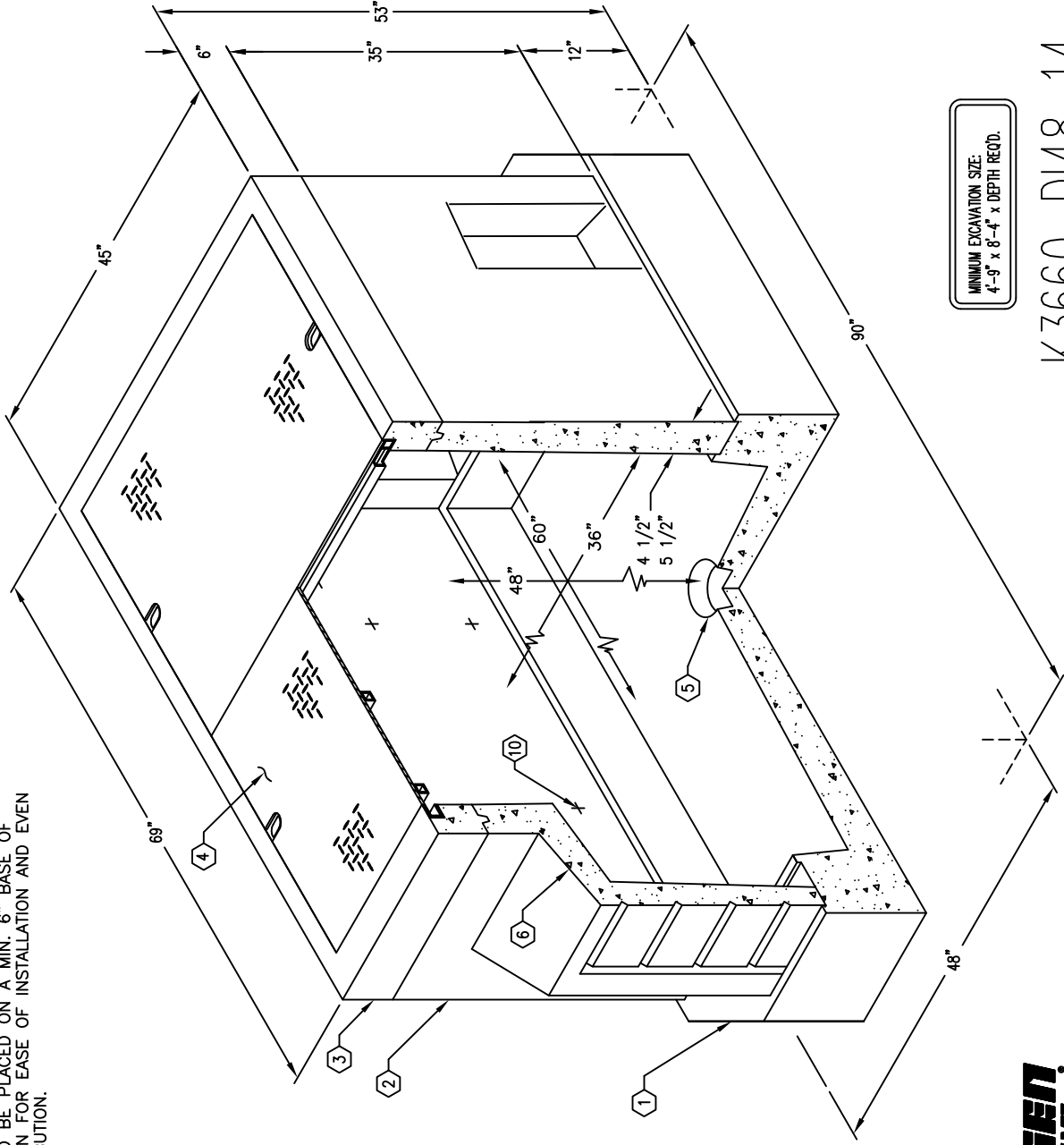
# 3'-0" x 5'-0" DUCTED INTERCEPT BOX x 48" DEEP

## MATERIAL LIST K3660-DI48-14

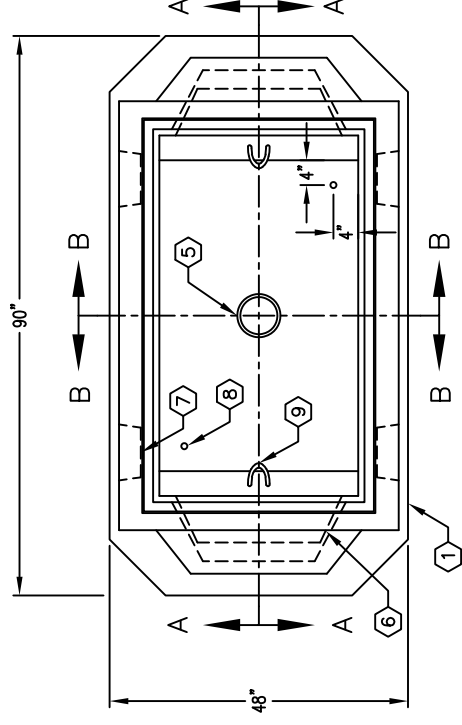
ITEM	PART NO.	DESCRIPTION	REBAR NO./LOCATE	AMOUNT/WEIGHT
1	PB3660-B7	7" BOTTOM SECTION	CG-MAT-3660(480)	2,980 lbs
2	PB3660-135-05	35" INTERMEDIATE SECTION	CG-3660D-135-05	2,852 lbs
3	PB3660-T6A	6" TOP SECTION	CG-LOOP4H-3660(474)	527 lbs
4A	SC3660-PSRAL	CAST-IN ANGLE FRAME		
4B	12-20-45	(2) PC. SLIP RESISTANT PARKWAY COVER WITH RED PRIMER & ALUM. FINISH MARKED "SBC"		
4C	SC3660-TSRAL	POLYMER CONCRETE (2) PC. PARKWAY C.V.R. MARKED "SBC"		
		(2) PC. SLIP RESISTANT TRAFFIC COVER WITH RED PRIMER & ALUM. FINISH MARKED "SBC"		
5	KNOCK OUT	6" x 7" K.O. x 2" DEEP	BOTTOM SECTION	(1)
6	KNOCK OUT	18" x 24 1/2" DUCTED K.O. x 10 3/4" DEEP	INTERMEDIATE SECTION	(2)
7	KNOCK OUT	8" x 16" K.O. x 4" DEEP	INTERMEDIATE SECTION	(4)
8	KNOCK OUT	1" DIA. BLIND GROUND ROD HOLE	BOTTOM SECTION	(2)
9	55-35-06	7/8" DIA. x 6" GALV. PULL IRON	BOTTOM SECTION	(2)
10	55-10-424	1/2" PLASTIC INSERT	INTERMEDIATE SECTION	(16)
11	55-10-416	1/2" x 1 1/2" P-35T O B INSERT W/CLEAN-OUT	TOP SECTION	(8) FRAME

### NOTES:

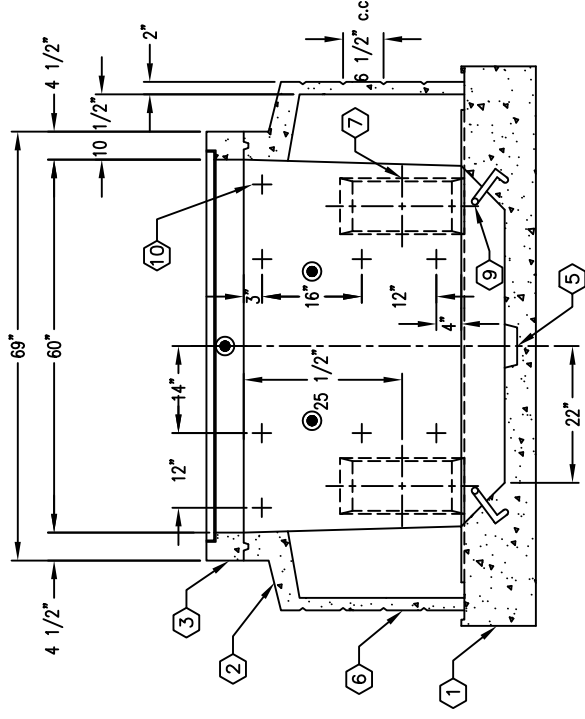
- PULL IRON BOX DESIGNED IN ACCORDANCE WITH AASHTO H-20-44 TRAFFIC BRIDGE LOADING USING 5,500 PSI COMPRESSIVE STRENGTH CONCRETE AND 60,000 PSI YIELD STRENGTH ASTM A-706 STEEL REINFORCEMENT PER CALCS. 31435.
- STEEL COVER DESIGNED FOR PARKWAY LOADING 300 psf. OR TRAFFIC H-20 LOADING.
- PULL BOX TO BE PLACED ON A MIN. 6" BASE OF CRUSHER RUN FOR EASE OF INSTALLATION AND EVEN LOAD DISTRIBUTION.
- RACKING PACKAGE:  
18 HOLE CABLE RACKS W/BOLTS = 4.  
ORDERING INFORMATION:  
TOTAL WEIGHT OF ASSEMBLY IS 6,541#.
- PARKWAY ASSEMBLY WITH STEEL B/D COVER K3660-DI48-14P.
- PARKWAY ASSEMBLY WITH POLYMER CONCRETE COVER K3660-DI48-14PR.
- LIGHT TRAFFIC ASSEMBLY WITH STEEL B/D COVER K3660-DI48-14L.



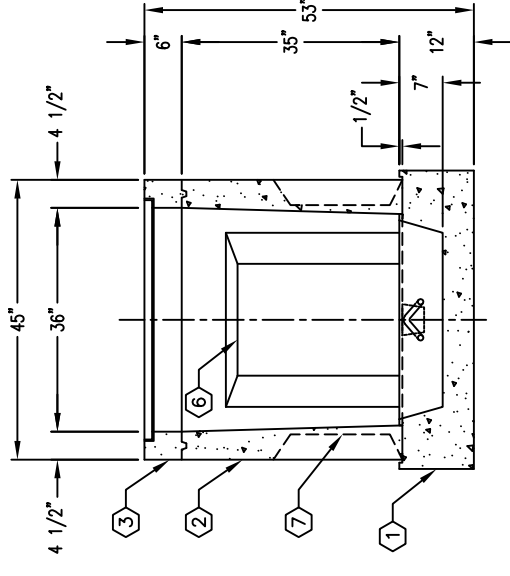
MINIMUM EXCAVATION SIZE:  
4'-9" x 8'-4" x DEPTH REQ'D.



PLAN VIEW



SECTION A-A



SECTION B-B

#	DATE	DESCRIPTION	BY