

3'-0" x 5'-0" DUCTED INTERCEPT BOX x 48" DEEP

MATERIAL LIST K3660-DI48-14SA			
ITEM PART NO.	DESCRIPTION	REBAR NO./LOCATE	MOUNT/WEIGHT
1	PB3660-B7	CG-MAT-3660D	2,980 lbs
2	PB3660D-135-05	CG-3660D-135-05	2,852 lbs
3	PB3660X-TBH-PSRP/TSRP	CG-LOOP-4H-3660(474)	527 lbs
4A	10-30-35PHSRP		
4B	10-30-35THSRP		
5	KNOCK OUT	BOTTOM SECTION	(1) CORE MTD.
6	KNOCK OUT	INTERMEDIATE SECTION	(2) CORE MTD.
7	KNOCK OUT	INTERMEDIATE SECTION	(4) SHELL MTD.
8	KNOCK OUT	BOTTOM SECTION	(2) CORE MTD.
9	55-35-09	BOTTOM SECTION	(2) CORE MTD.
10	55-10-424	INTERMEDIATE SECTION	(16) CORE MTD.
11	55-10-416	TOP SECTION	(8) FRAME
12	55-20-203	TOP SECTION	(2) SHELL MTD
		BOTTOM SECTION	(4) CORE MTD

NOTES:

- PULL IRON BOX DESIGNED IN ACCORDANCE WITH ASHTO H-20-44 TRAFFIC BRIDGE LOADING USING 5,500 PSI COMPRESSIVE STRENGTH CONCRETE AND 60,000 PSI YIELD STRENGTH ASTM A-706 STEEL REINFORCEMENT PER CALCS. 31435.
- STEEL COVER DESIGNED FOR PARKWAY LOADING 300 psf. OR TRAFFIC H-20 LOADING.
- PULL BOX TO BE PLACED ON A MIN. 6" BASE OF CRUSHER RUN FOR EASE OF INSTALLATION AND EVEN LOAD DISTRIBUTION.

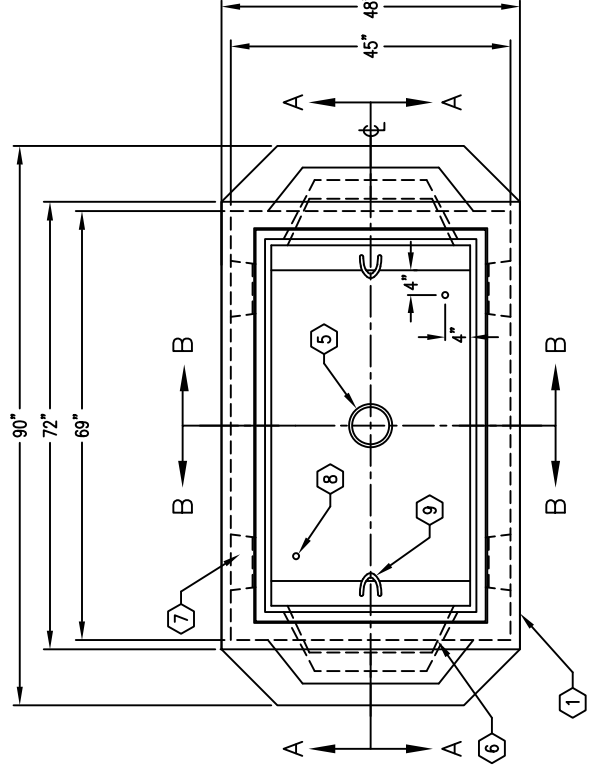
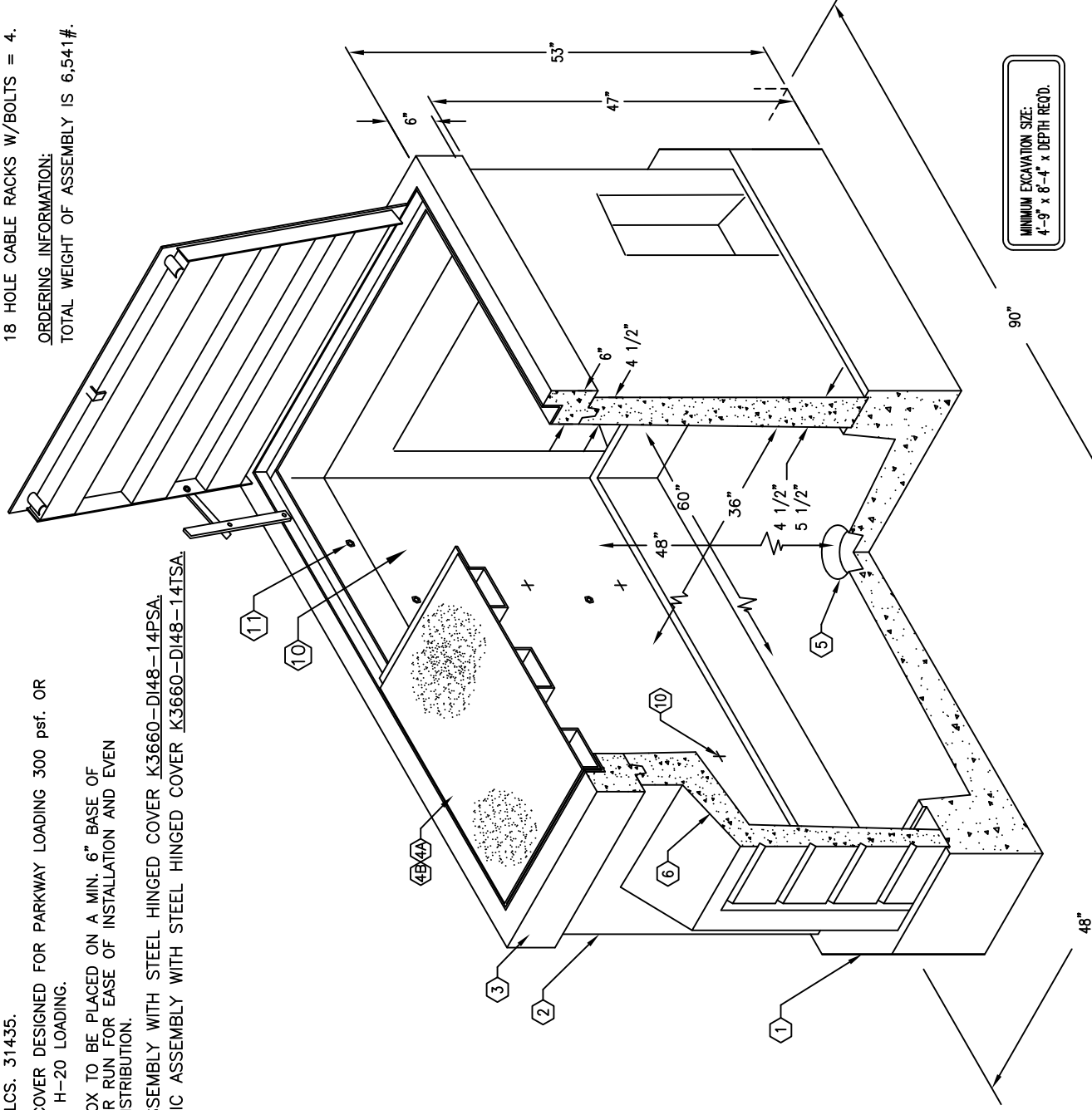
PARKWAY ASSEMBLY WITH STEEL HINGED COVER **K3660-DI48-14PSA**.
 LIGHT TRAFFIC ASSEMBLY WITH STEEL HINGED COVER **K3660-DI48-14TSA**.

RACKING PACKAGEN:

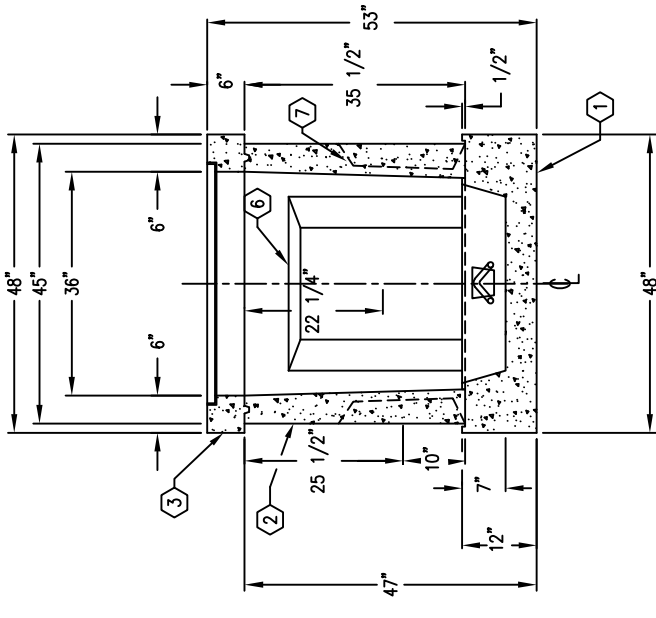
18 HOLE CABLE RACKS W/BOLTS = 4.

ORDERING INFORMATION:

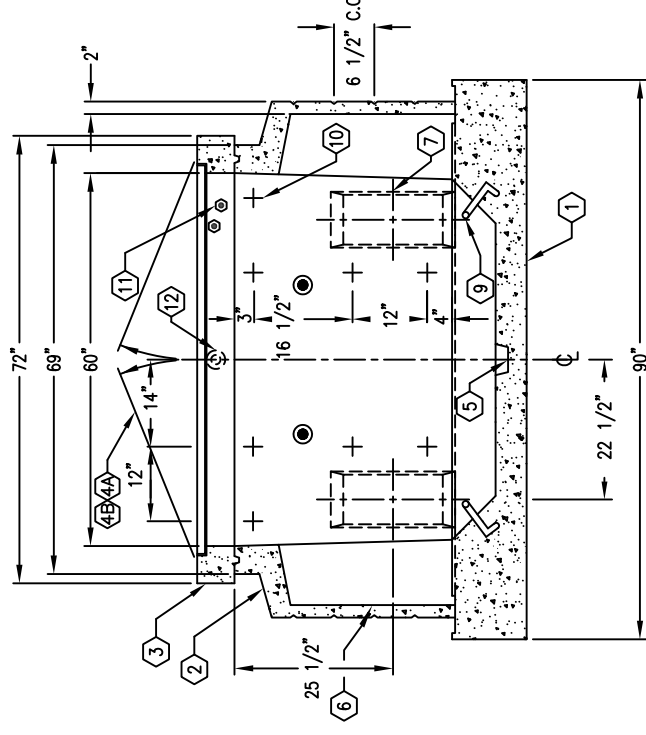
TOTAL WEIGHT OF ASSEMBLY IS 6,541#.



PLAN VIEW



SECTION B-B



SECTION A-A