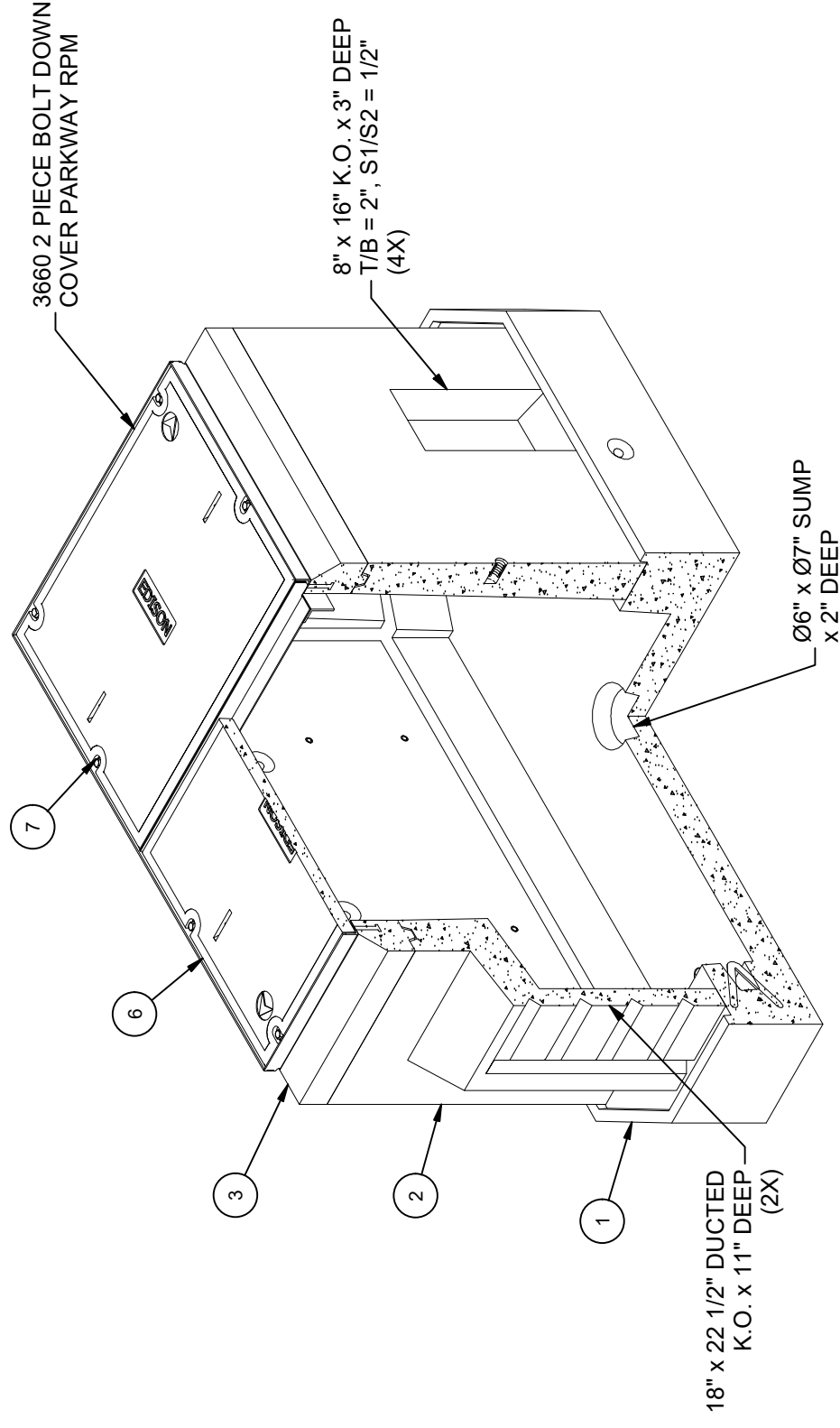


DESIGN NOTES

- DESIGNED IN ACCORDANCE WITH AASHTO HS20-44 TRAFFIC BRIDGE LOADING USING 5,500 PSI COMPRESSIVE STRENGTH CONCRETE AND 60,000 PSI YIELD STRENGTH ASTM A-706 STEEL REINFORCEMENT PER CALCS. #31435.
- COVER DESIGNED FOR 300 PSF, OR 600 lb LOAD ON 5.5' x 5.5' FOOTPRINT RESTRICTED TO AREAS OF PEDESTRIAN USE AND LIGHT MAINTENANCE VEHICLES USE, AND OTHER AREAS THAT ARE INACCESSIBLE TO ALL OTHER VEHICLE TRAFFIC.
- MINIMUM EXCAVATION SIZE: 5'-0" X 8'-7" X DEPTH REQ'D.
- VAULT TO BE PLACED ON A MIN. 6" BASE OF CRUSHER RUN FOR EASE OF INSTALLATION AND EVEN LOAD DISTRIBUTION.
- ALL PARTS TO BE STENCILED: MFG DATE / JOB NUMBER / PRODUCT ID / WEIGHT.
- FOR COMPLETE DESIGN AND PRODUCT INFORMATION CONTACT JENSEN PRECAST.

BILL OF MATERIALS

ITEM	UNIT QTY	QTY	PART NUMBER	DESCRIPTION	MASS (lb)
1	1	1	100012332	Intercept 3660x6.75 Slab Bottom Sump Edison	2760
2	1	1	100012325	Intercept Riser 3660x35.5 Knockout Ducted Edison	2974
3	1	1	100012206	Top Riser 3660x8 Cast-In Frame Edison	526
4	1	1	100006367	BEAM T-BAR STEEL 3660 GALV RPM	13
5	1	2	100003492	BOLT HEX 1/2-13 UNC 1.25 ZINC	187
6	1	2	100007051	COVER 3660 POLYMER EDISON HALF 2-PC	
7	1	8	100008105	PENTA BOLT 1/2-13 UNC 2-1/2 304SS W/CAPWASH	
8	1,000 ul	1,000 ul	100005749	SEALANT JOINT BUTYL RUBBER ASTM C-990 AND M198 CS-102 1IN EQUIV X14.5FT PER BOX 118FT	



ISOMETRIC VIEW

LIFTING NOTES

- FIELD INSTALLATION: PLANT DEMOLDING: MINIMUM HANDLING CONCRETE STRENGTH F_c = 5500 PSI RIGGING EQUALIZER REQUIRED TO EQUALIZE LOAD TO 4 LIFTING POINTS WITH A SLING ANGLE BETWEEN 60° AND 90°
- BURY DEPTH: 0.0' - 0.0' to Top
- WATER LEVEL: 3.0'
- APPROX. WEIGHT: 6650.45 Lbs
- DESIGN SPEC: ACI 318, ASTM C857
- LOADING SPEC: A-16 (AASHTO HS20-44)
- AGENCY SPEC: Edison
- AGENCY SPEC: HP 225, PB-5

REVISION HISTORY

REV	DESCRIPTION	DATE	APPROVED
B	INITIAL RELEASE INVENTOR	4/10/2024	

DESCRIPTION: Intercept Vault Layout 3660x50 Knockout Ducted Sump 36"x60" Edison HP 225, PB-5 RPM

REV: B-1

SHEET: 20

PART NUMBER: 100010346

LAYOUT REVIEW

DRAWN BY: J. Prado

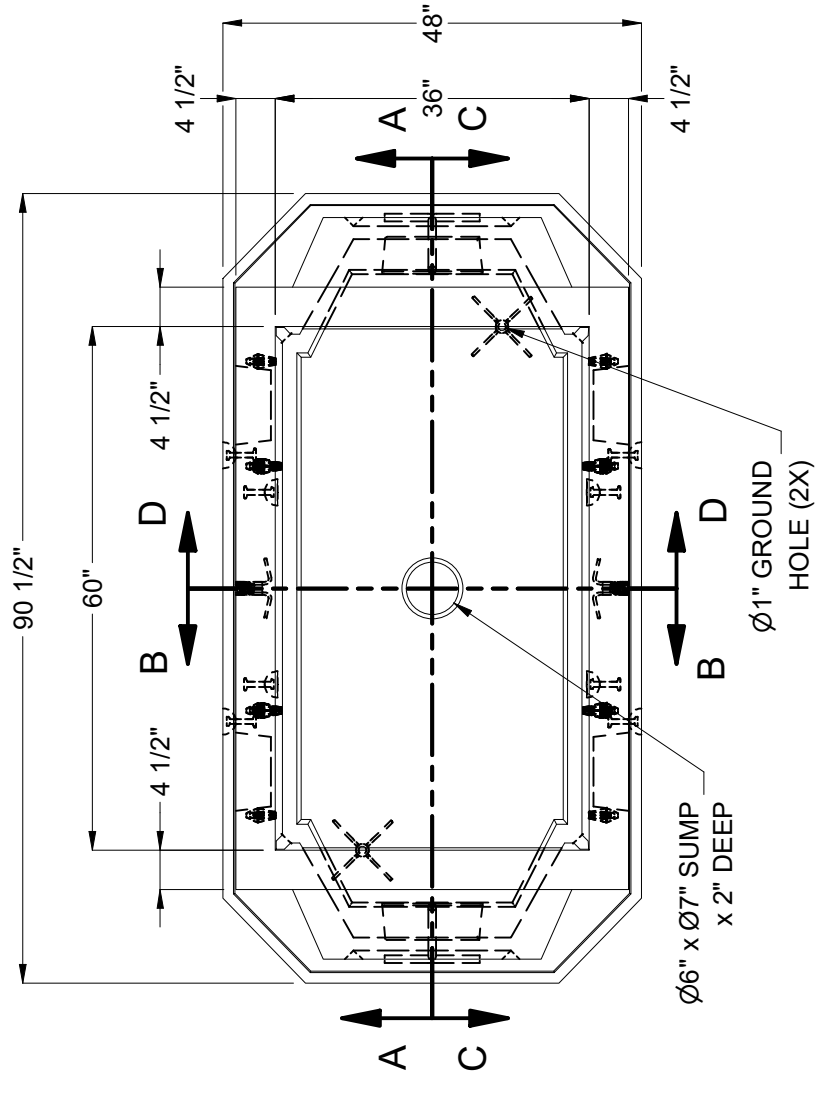
CREATED: 6/19/2019

MODIFIED: 4/10/2024

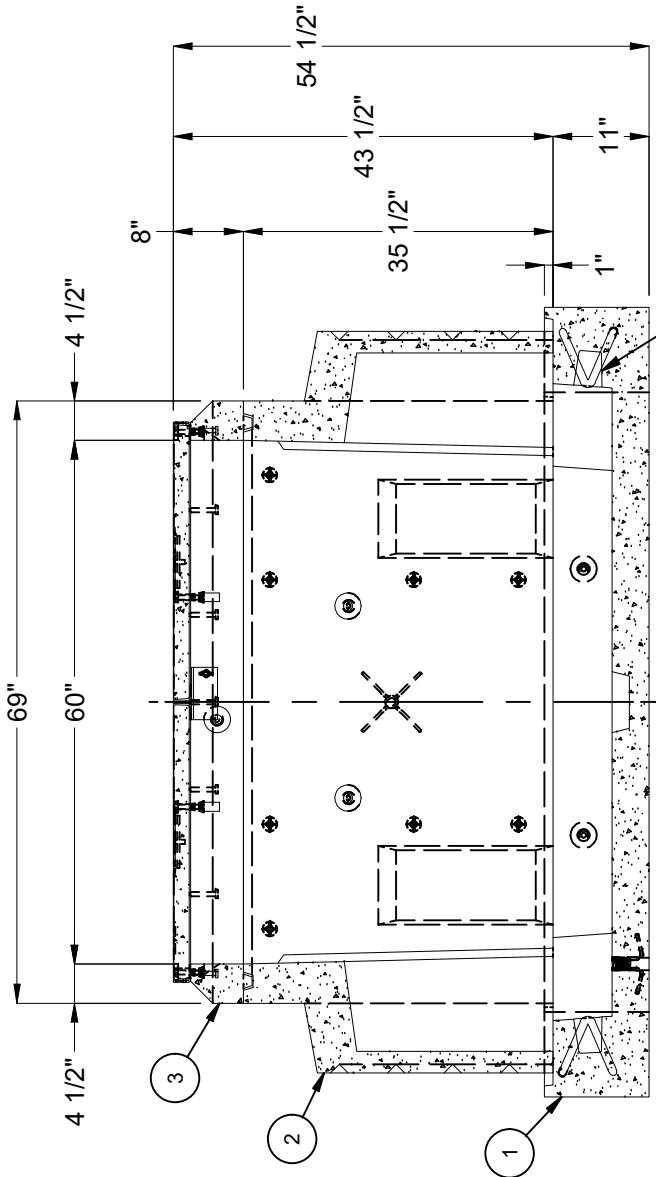
©2024 Jensen Precast. All rights reserved. All materials appearing as Jensen Precast documents and the like are proprietary work product and are protected under U.S. copyright and other laws. Unless in conjunction with business conducted with Jensen Precast, any use of Jensen Precast work product without express, written consent is prohibited, and recipient is prohibited from distributing any and all work product to non-approved third parties under penalty of civil action.

JENSEN PRECAST EST. 1968

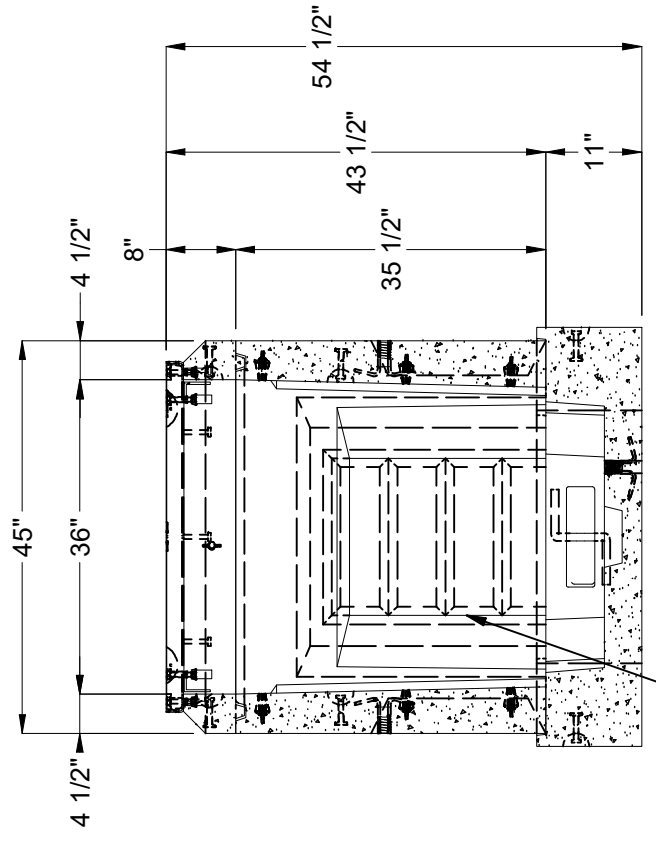
WWW.JENSENPRECAST.COM



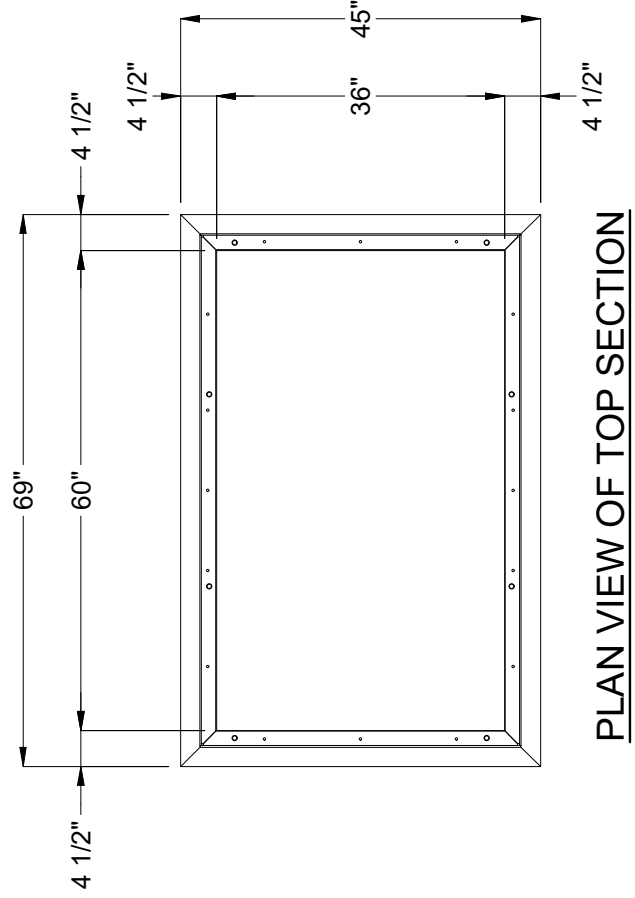
PLAN VIEW W/O TOP SECTION



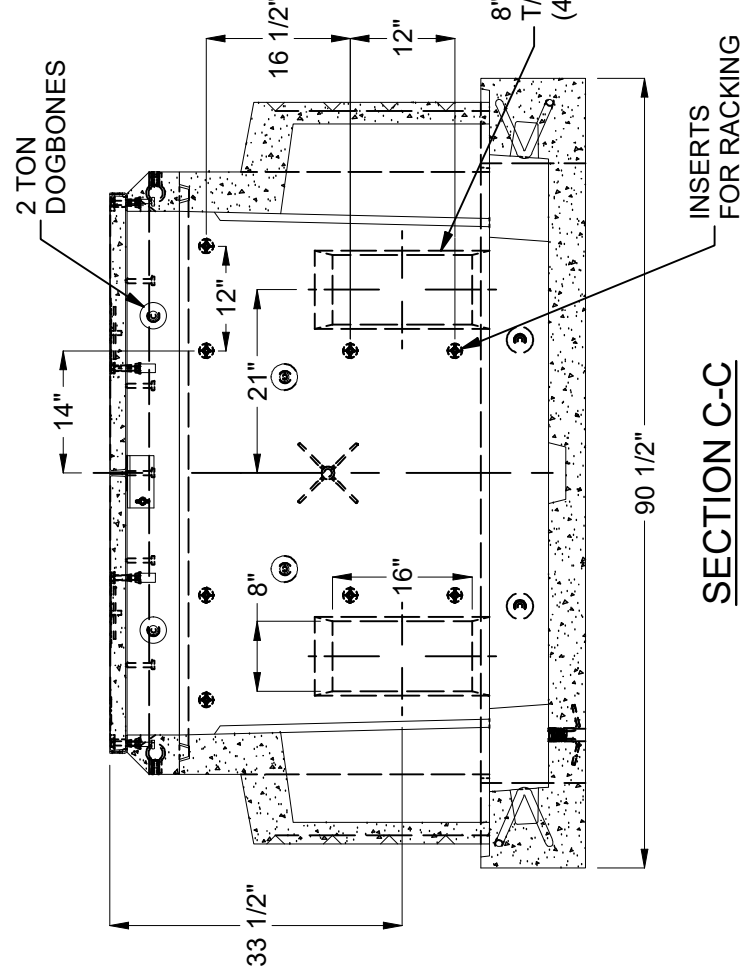
SECTION A-A



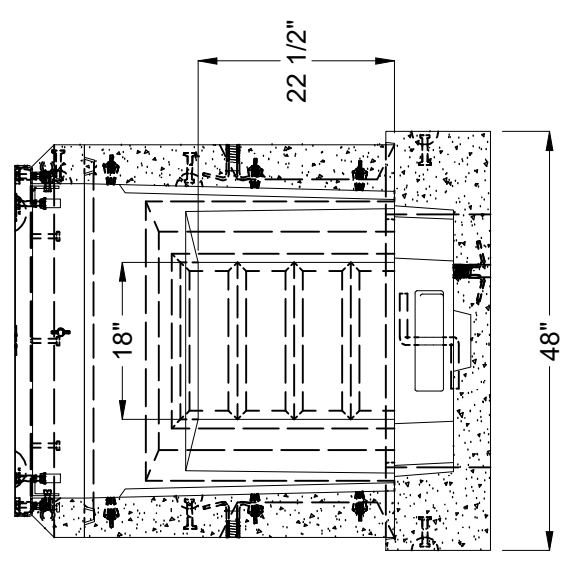
SECTION B-B



PLAN VIEW OF TOP SECTION



SECTION C-C



SECTION D-D

BURY DEPTH:	0.0' - 0.0' to Top
WATER LEVEL:	3.0'
DESIGN SPEC:	ACI 318, ASTM C857
AGENCY:	Edison
APPROX. WEIGHT:	6650.45 Lbs
LOADING SPEC:	A-16 (AASHTO HS20-44)
AGENCY SPEC:	HP 225, PB-5

JENSEN PRECAST EST. 1968
WWW.JENSENPRECAST.COM

©2024 Jensen Precast. All rights reserved. All materials appearing as Jensen Precast documents and the like are proprietary work product and are protected under U.S. copyright and other laws. Unless in conjunction with business conducted with Jensen Precast, any use of Jensen Precast work product without express, written consent is prohibited, and recipient is prohibited from distributing any and all work product to non-approved third parties under penalty of civil action.

DESCRIPTION:	Intercept Vault Layout 3660x50 Knockout Ducted, Sump 36"x60" C Edison HP 225, PB-5 RPM
LAYOUT REVIEW	J. Prado
PART NUMBER:	100010346
CREATED:	6/19/2019
MODIFIED:	4/10/2024

100010346.rvt