

3'-0" x 5'-0" TRAFFIC INTERCEPT BOX x 50" DEEP

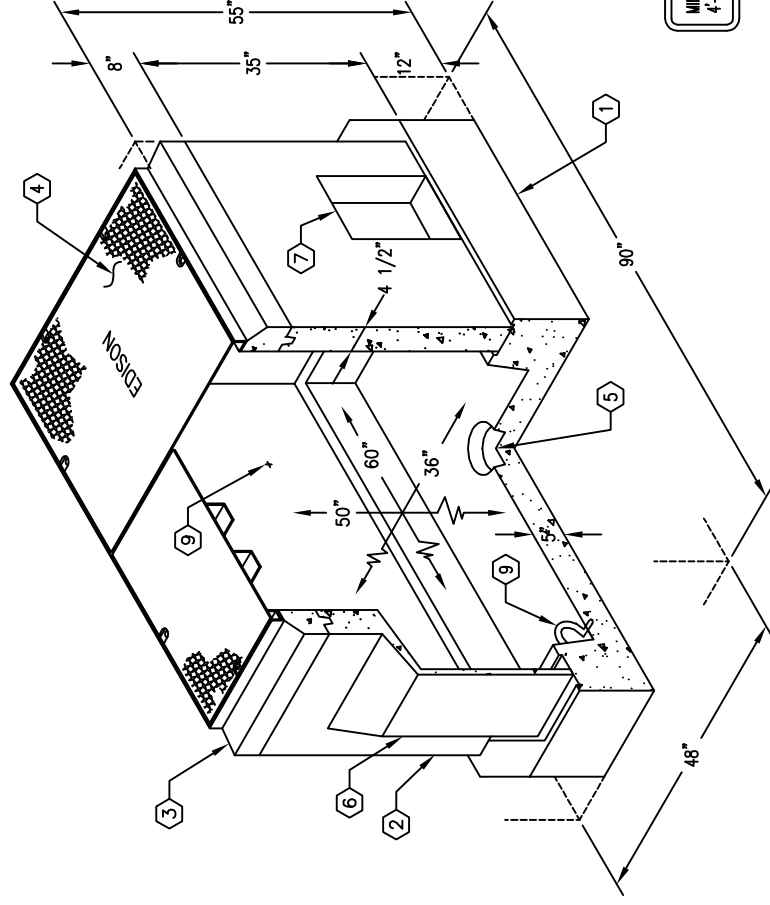
MATERIAL LIST K3660-DI50-11				
ITEM	PART NO.	DESCRIPTION	REBAR NO. /LOCATE	MOUNT/ WEIGHT
1	PB3660-B7	7" BOTTOM SECTION	CG-MAT-3660(480)	3,000 lbs
2	PB3660-I35-05	35" INTERMEDIATE SECTION	CG-3660D-I35-05	2,875 lbs
3	PB3660-T8A	8" TOP SECTION	CG-LOOP4H-3660(474)	550 lbs
	F3660-PB-ANG	CAST-IN ANGLE FRAME		
3	SC3660-TGV-11	(2)PC. TRAFFIC COVER, GALVANIZED FINISH MARKED "EDISON" w/REMOVABLE BEAM		426 lbs
5	KNOCK OUT	6" x 7" K.O. x 3" DEEP	BOTTOM SECTION	(1)
6	KNOCK OUT	18" x 24" DUCTED K.O. x 11" DEEP	INTERMEDIATE SECTION	(2)
7	KNOCK OUT	5' x 10" K.O. x 3" DEEP	INTERMEDIATE SECTION	(4)
8	55-35-09	7/8" DIA. x 9" GALV. PULL IRON	BOTTOM SECTION	(2)
9	55-10-424	1/2" PLATIC INSERT	BOTTOM SECTION	(10)
10	55-10-416	1/2" x 1 1/2" P-35T O B INSERT W/CLEAN-OUT	TOP SECTION	(8) FRAME

NOTES:

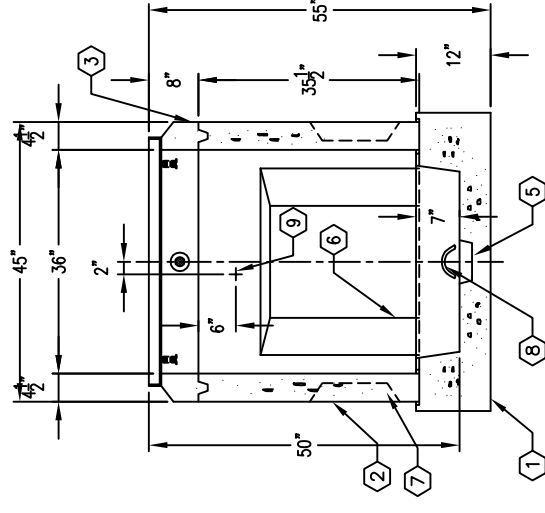
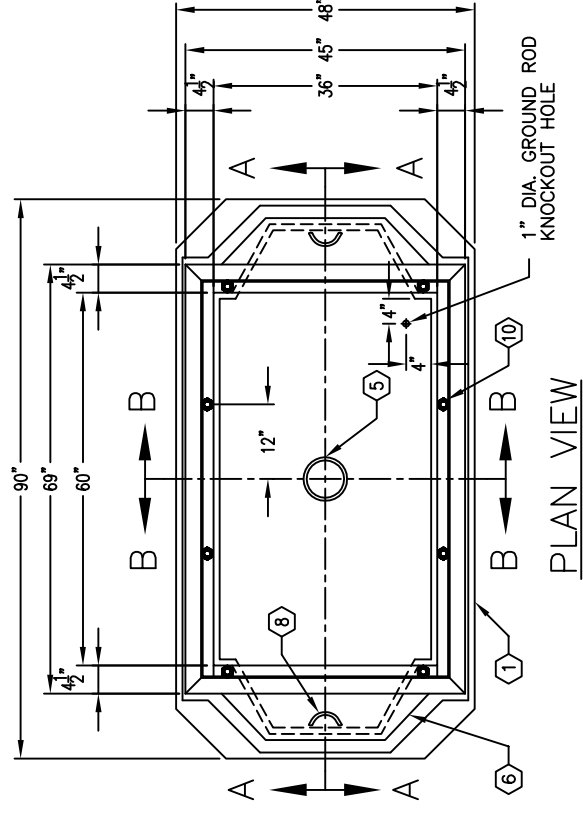
- BOX DESIGNED IN ACCORDANCE WITH AASHTO H-20-44 TRAFFIC BRIDGE LOADING USING 5500 PSI COMPRESSIVE STRENGTH CONCRETE AND 60,000 PSI YIELD STRENGTH ASTM A-706 STEEL REINFORCEMENT PER CALC. #31435.
- MANHOLE TO BE PLACED ON A 6" BASE OF CRUSHER RUN FOR EASE OF INSTALLATION AND END LOAD DISTRIBUTION.
- STEEL COVER DESIGNED FOR H-20 OFF STREET TRAFFIC LOADING.

ORDERING INFORMATION:

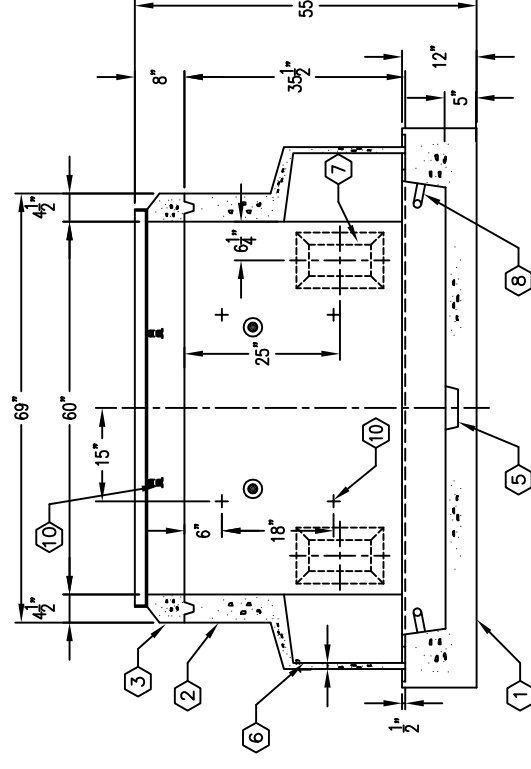
PER EDISON SPEC. UGS HP225, PB-7-INT.
TOTAL WEIGHT OF ASSEMBLY SHOWN IS 6,425 lbs.



MINIMUM EXCAVATION SIZE:
4'-6" x 8'-0" x DEPTH REQ'D.



SECTION B-B



SECTION A-A