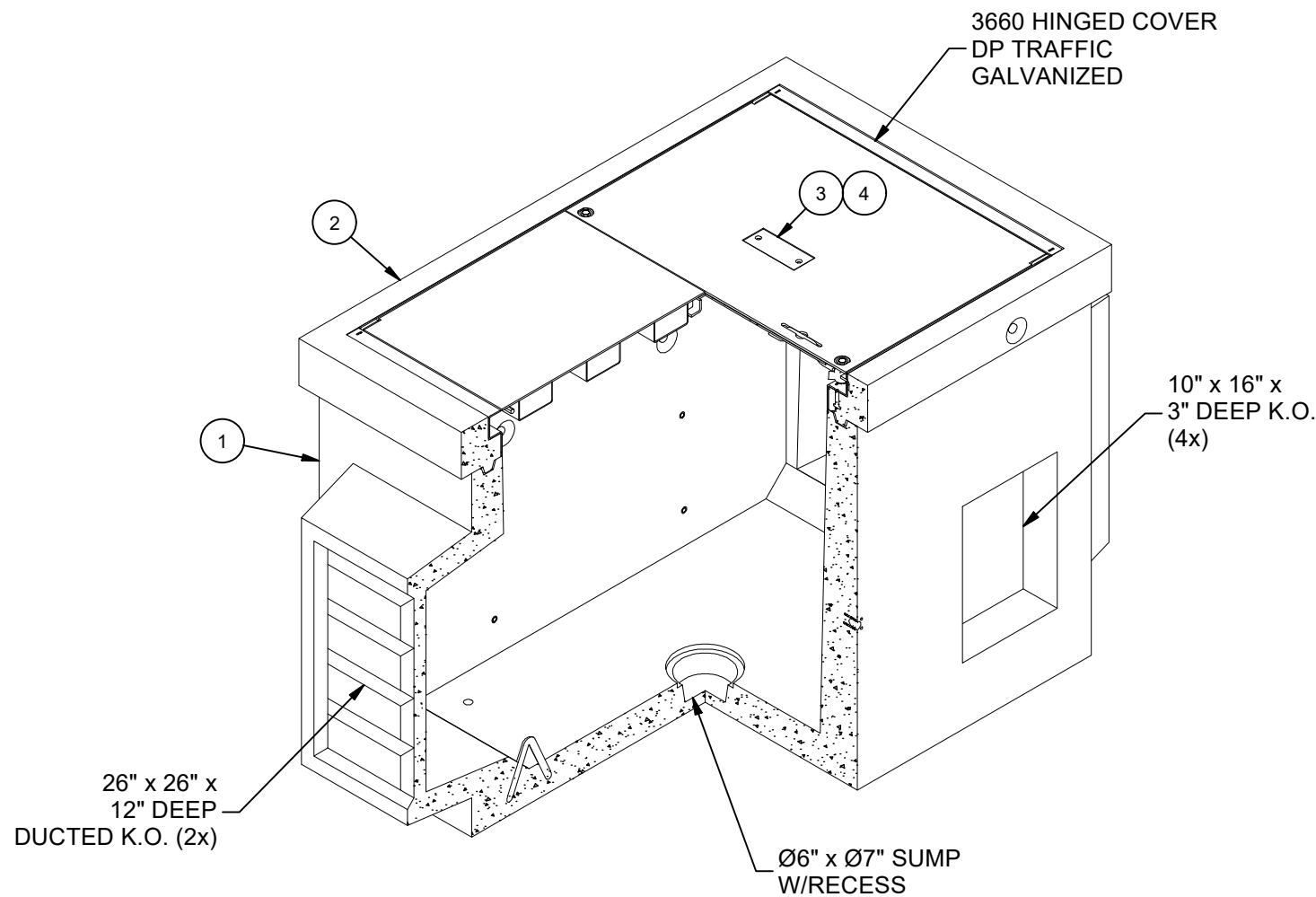


DESIGN NOTES

- DESIGNED IN ACCORDANCE WITH AASHTO HS20-44 TRAFFIC BRIDGE LOADING USING 5,500 PSI COMPRESSIVE STRENGTH CONCRETE AND 60,000 PSI YIELD STRENGTH ASTM A-706 STEEL REINFORCEMENT PER CALCS. #31395.
- COVER DESIGNED FOR 16,000 LB LOAD ON 10" X 20" FOOTPRINT, WITH 30% IMPACT RESTRICTED TO UNRESTRICTED PARKING LANES AND ALLEYS WHERE TRAFFIC SPEED IS LIMITED TO 15 MILES PER HOUR. (ASTM LOAD LEVEL 5)
- MINIMUM EXCAVATION SIZE: 5'-0" X 8'-7" X DEPTH REQ'D.
- VAULT TO BE PLACED ON A MIN. 6" BASE OF CRUSHER RUN FOR EASE OF INSTALLATION AND EVEN LOAD DISTRIBUTION.
- ALL PARTS TO BE STENCILED: MFG DATE / JOB NUMBER / PRODUCT ID / WEIGHT.
- FOR COMPLETE DESIGN AND PRODUCT INFORMATION CONTACT JENSEN PRECAST.

BILL OF MATERIALS

| ITEM | UNIT QTY | QTY      | PART NUMBER | DESCRIPTION   | MASS (lb) |
|------|----------|----------|-------------|---|-----------|
| 1    | 1        | 1        | 100007452   | Vault 3660x42 Rect. Bottom Section Knockout Ducted,Sump Edison                        | 4935      |
| 2    | 1        | 1        | 200012394   | Top Riser 3660x6 Cast-In Cover  | 969       |
| 3    | 1        | 1        | 100006739   | FONTANA NAME PLATE SS BLANK   |           |
| 4    | 1        | 1        | 100007650   | NAME PLATE HARDWARE KIT   |           |
| 5    | 1.000 ul | 1.000 ul | 100005749   | SEALANT JOINT BUTYL RUBBER ASTM C-990 AND M198 CS-102 1IN EQUIV X14.5FT PER BOX 118FT |           |



ISOMETRIC VIEW

LIFTING NOTES

- FIELD INSTALLATION: PLANT DEMOLDING: MINIMUM HANDLING CONCRETE STRENGTH F'c = 5500 PSI RIGGING EQUALIZER REQUIRED TO EQUALIZE LOAD TO 4 LIFTING POINTS WITH A SLING ANGLE BETWEEN 60° AND 90°

|              |                    |                 |                       |
|--------------|--------------------|-----------------|-----------------------|
| BURY DEPTH:  | 0.0' - 0.0' to Top |                 |                       |
| WATER LEVEL: | 3.0'               | APPROX. WEIGHT: | 5904.24 Lbs           |
| DESIGN SPEC: | ACI 318,ASTM C857  | LOADING SPEC:   | A-16 (AASHTO HS20-44) |
| AGENCY:      |                    | AGENCY SPEC:    |                       |



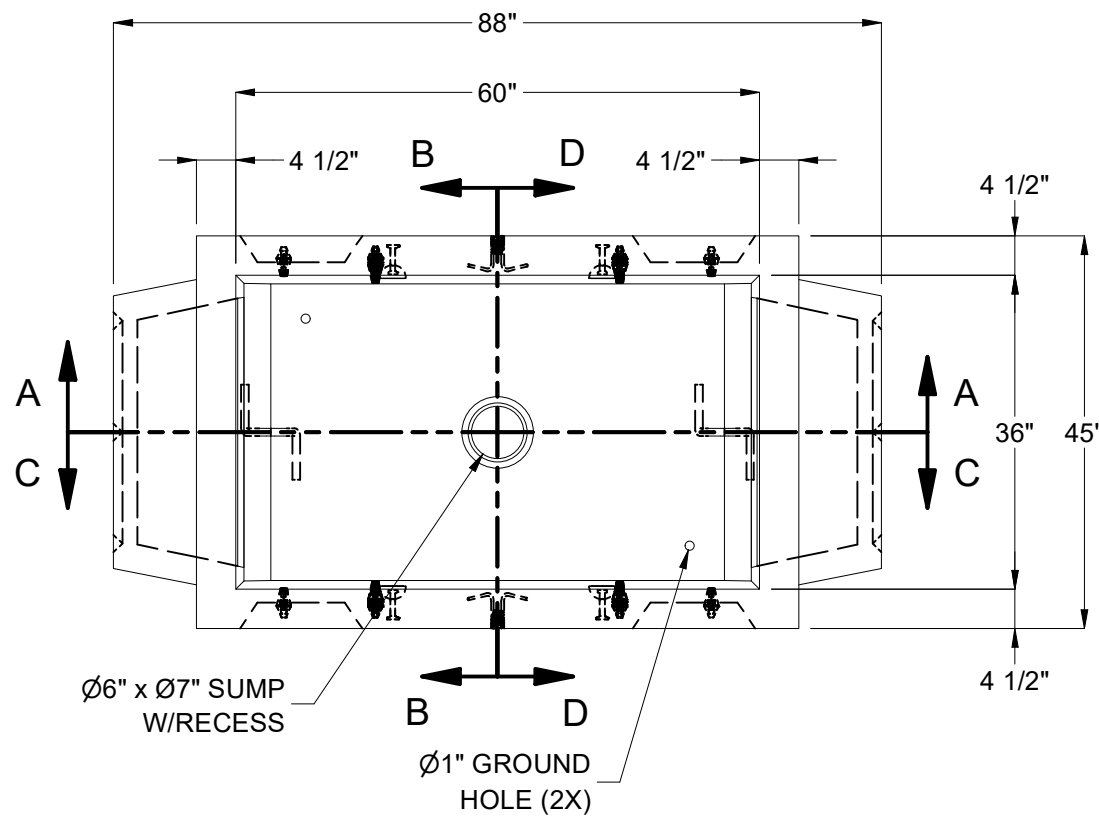
©2024 Jensen Precast- All rights reserved. All materials appearing as Jensen Precast documents and the like are proprietary work product and are protected under U.S. copyright and other laws. Unless in conjunction with business conducted with Jensen Precast, any use of Jensen Precast work product without express, written consent is prohibited, and recipient is prohibited from distributing any and all work product to non-approved third parties under penalty of civil action.

REVISION HISTORY

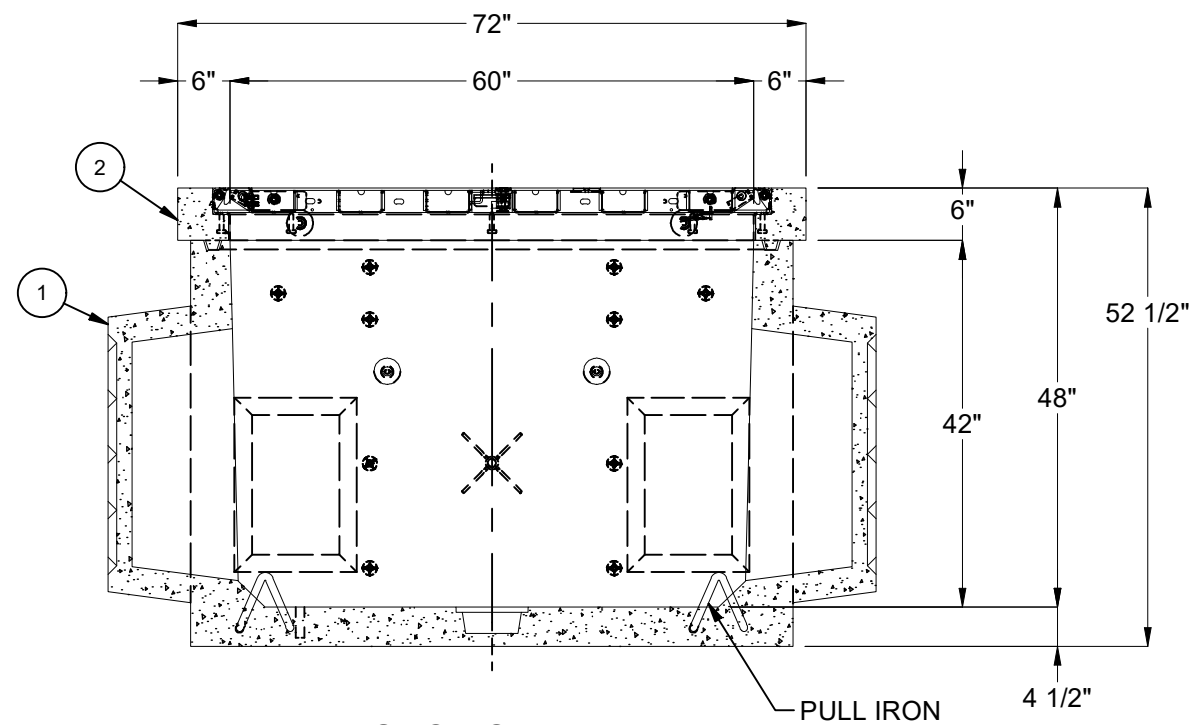
| REV | DESCRIPTION              | DATE      | APPROVED |
|-----|--------------------------|-----------|----------|
| B-1 | INITIAL RELEASE INVENTOR | 6/20/2024 |          |

|               |   |           |           |        |        |
|---------------|---|-----------|-----------|--------|--------|
| DESCRIPTION:  | Vault Layout 3660x48 Knockout Ducted,Sump 36"x60"C Traffic Galvanized |           | REV:      | B-1    |        |
| LAYOUT REVIEW |   |           |           |        |        |
| PART NUMBER:  | 100010357   | DRAWN BY: | J. Prado  |        |        |
| CREATED:      | 3/20/2024   | MODIFIED: | 6/20/2024 |        |        |
|               |   |           |           | SHEET: | 1 OF 2 |

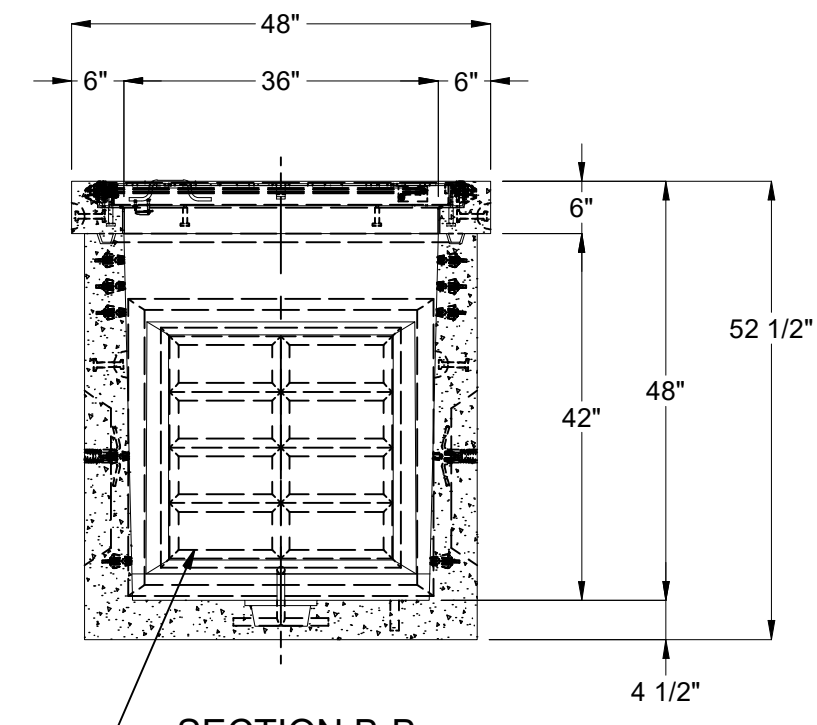
100010357.idw



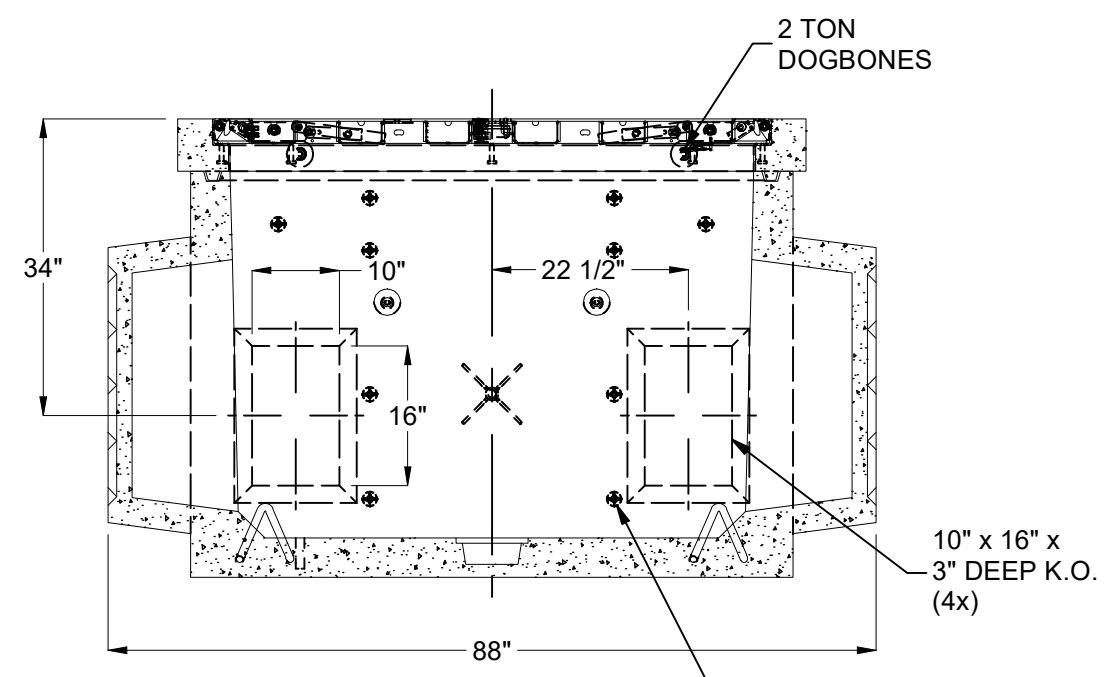
PLAN VIEW W/O TOP SECTION



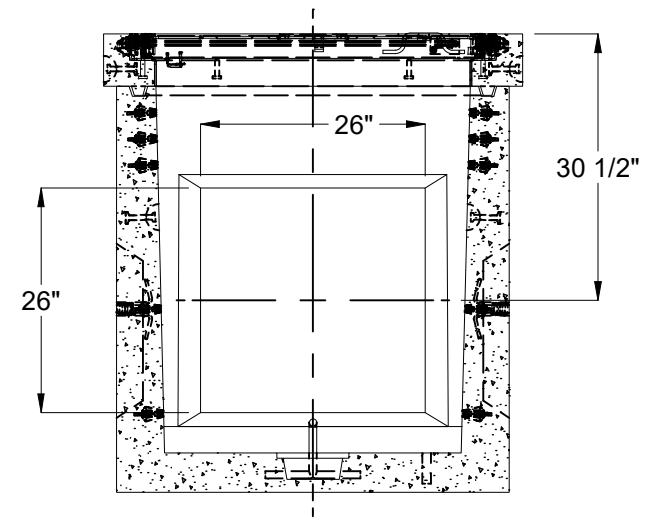
SECTION A-A



SECTION B-B



SECTION C-C



SECTION D-D

Ø6" x Ø7" SUMP  
W/RECESS

Ø1" GROUND  
HOLE (2X)

PULL IRON

26" x 26" x  
12" DEEP  
DUCTED K.O. (2x)

2 TON  
DOGBONES

10" x 16" x  
3" DEEP K.O.  
(4x)

INSERTS  
FOR RACKING

100010357.dwg

|                 |                       |
|-----------------|-----------------------|
| BURY DEPTH:     | 0.0' - 0.0' to Top    |
| WATER LEVEL:    | 3.0'                  |
| DESIGN SPEC:    | ACI 318, ASTM C857    |
| AGENCY:         |                       |
| APPROX. WEIGHT: | 5904.24 Lbs           |
| LOADING SPEC:   | A-16 (AASHTO HS20-44) |
| AGENCY SPEC:    |                       |

**JENSEN**  
PRECAST

EST. 1968

WWW.JENSENPRECAST.COM

©2024 Jensen Precast- All rights reserved.  
All materials appearing as Jensen Precast documents and the like are proprietary work product and are protected under U.S. copyright and other laws.  
Unless in conjunction with business conducted with Jensen Precast, any use of Jensen Precast work product without express, written consent is prohibited, and recipient is prohibited from distributing any and all work product to non-approved third parties under penalty of civil action.

|              |  |                     |
|--------------|--|---------------------|
| DESCRIPTION: | Vault Layout 3660x48 Knockout Ducted, Sump 36"x60"C Traffic Galvanized |                     |
| PART NUMBER: | 100010357  | DRAWN BY: J. Prado  |
| CREATED:     | 3/20/2024  | MODIFIED: 6/20/2024 |

|        |        |
|--------|--------|
| REV:   | B-1    |
| SHEET: | 2 OF 2 |