

3'-0" x 5'-0" DUCTED PULL BOX x 48" DEEP

MATERIAL LIST K3660-DP48-14

ITEM	PART NO.	DESCRIPTION	REBAR NO. /LOCATE	MOUNT/ WEIGHT
1	PB3660D-B42-05	42" BOTTOM SECTION	CG-3660D-B42-05	4,870 lbs
2	PB3660-T6F	6" TOP SECTION	CG-LOOP4H-3660	527 lbs
3A	F3660-PB-ANG	GALV. CAST-IN ANGLE FRAME		
3B	SC3660-PSRAL	(2) PC. SLIP RESISTANT PARKWAY COVER WITH RED PRIMER & ALUM. FINISH MARKED "SBC"		
3C	SC3660-TSRAL	(2) PC. SLIP RESISTANT TRAFFIC COVER WITH RED PRIMER & ALUM. FINISH MARKED "SBC"		
4	KNOCK OUT	6" x 7" DIAMETER SUMP x 3 1/2" DEEP	BOTTOM SECTION	(1) CORE
5	KNOCK OUT	26" x 26 1/2" DUCTED K.O. x 12" DEEP	BOTTOM SECTION	(2) CORE
6	KNOCK OUT	8" x 16" K.O. x 3" DEEP	BOTTOM SECTION	(4) SHELL
7	KNOCK OUT	1" DIA. BLIND GROUND ROD HOLE	BOTTOM SECTION	(2) CORE
8	55-35-06	7/8" DIA. x 6" GALV. PULL IRON	BOTTOM SECTION	(2) CORE
9	55-10-424	1/2" PLASTIC INSERT	BOTTOM SECTION	(20) CORE
10	55-10-416	1/2" x 1 1/2" P-35T O B INSERT W/CLEAN-OUT	TOP SECTION	(8) FRAME

NOTES:

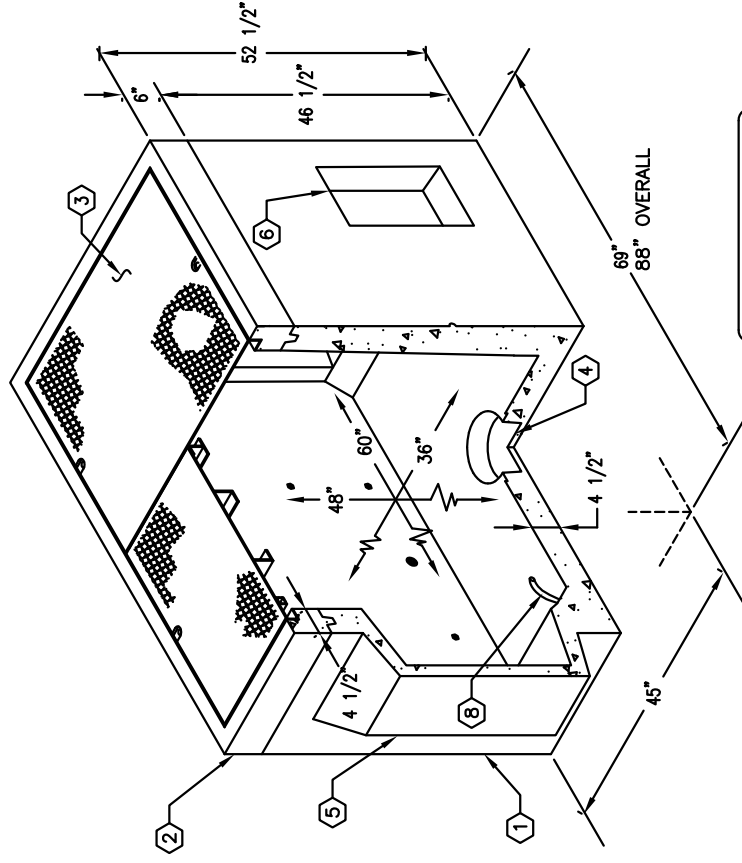
- PULL BOX DESIGNED IN ACCORDANCE WITH AASHTO H-20-44 TRAFFIC BRIDGE LOADING USING 5,500 PSI COMPRESSIVE STRENGTH CONCRETE AND 60,000 PSI YIELD STRENGTH ASTM A-706 STEEL REINFORCEMENT PER CALCS. 31395.
- PULL BOX TO BE PLACED ON A MIN. 6" BASE OF CRUSHER RUN FOR EASE OF INSTALLATION AND EVEN LOAD DISTRIBUTION.
- STEEL COVER DESIGN FOR PARKWAY 300 PSF LOADING OR TRAFFIC H-20 LOADING.
- PARKWAY ASSEMBLY WITH STEEL B/D COVER **K3660-DP48-14P**.
- PARKWAY ASSEMBLY WITH POLYMER CONCRETE COVER **K3660-DP48-14PR**.
- LIGHT TRAFFIC ASSEMBLY WITH STEEL B/D COVER **K3660-DP48-14L**.

PACKING PACKAGE:

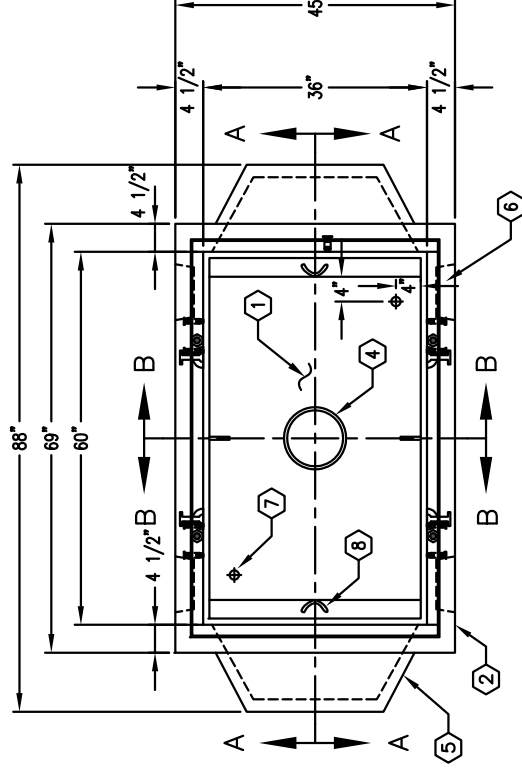
18 HOLE CABLR RACKS W/BOLTS = 4.

ORDERING INFORMATION:

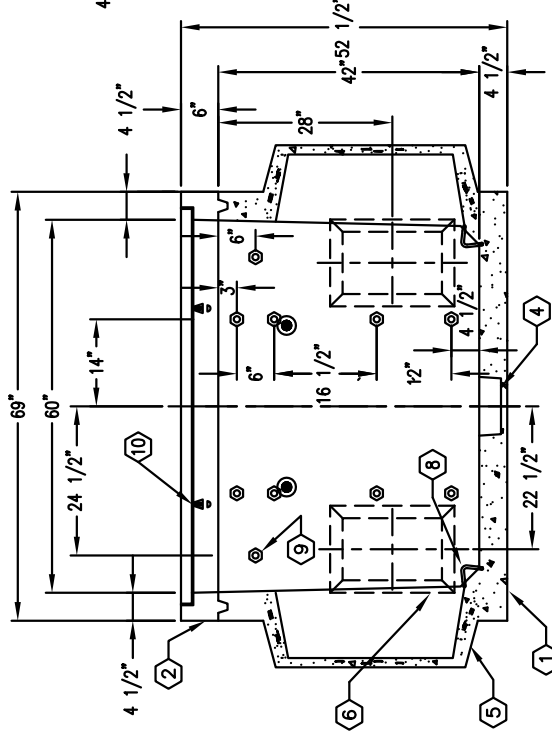
APPROVED FOR TEL 'C' SPEC.
TOTAL WEIGHT OF ASSEMBLY SHOWN IS 5,585 Lbs.



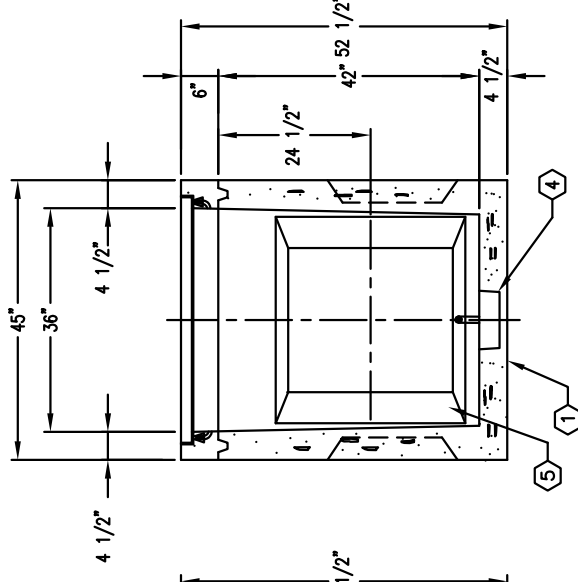
MINIMUM EXCAVATION SIZE:
4'-9" x 8'-4" x DEPTH RECD.



PLAN VIEW



SECTION A-A



SECTION B-B

#	DATE	DESCRIPTION	BY