

# 3'-0" x 5'-0" DUCTED PULL BOX x 48" DEEP

MATERIAL LIST K3660-DP48-14SA				
ITEM	PART NO.	DESCRIPTION	REBAR NO. / LOCATE	MOUNT./WEIGHT
1	PB3660D-B42-05	42" BOTTOM SECTION	CG-3660D-B42-05	4,870 lbs
2	PB3660X-T6H-PSRP	6" TOP SECTION PARKWAY	CG-LOOP4H-3660	630 lbs
3A	10-30-35PHSRP	(2) PC. SLIP RESISTANT PARKWAY HINGED COVER WITH RED PRIMER & ALUM. FINISH MARKED "SBC" (20-40-SBC)		
3B	10-30-35THSRP	(2) PC. SLIP RESISTANT TRAFFIC HINGED COVER WITH RED PRIMER & ALUM. FINISH MARKED "SBC" (20-40-SBC)		
4	KNOCK OUT	6" x 7" DIAMETER SUMP x 3 1/2" DEEP	BOTTOM SECTION	(1) CORE
5	KNOCK OUT	26" x 26 1/2" DUCTED K.O. x 12" DEEP	BOTTOM SECTION	(2) CORE
6	KNOCK OUT	8" x 16" K.O. x 3" DEEP	BOTTOM SECTION	(4) SHELL
7	KNOCK OUT	1" DIA. BLIND GROUND ROD HOLE	BOTTOM SECTION	(2) CORE
8	55-35-06	7/8" DIA. x 6" GALV. PULL IRON	BOTTOM SECTION	(2) CORE
9	55-10-416	1/2" x 1 1/2" P-36T	TOP SECTION	(4) FRAME
10	55-10-424	1/2" PLASTIC INSERT	BOTTOM SECTION	(20) CORE
11	55-20-203	2 TONS X 3 3/8" GALV RISS ANCHOR	BOTTOM SECTION	(4) CORE MTD.
			TOP SECTION	(2) SHELL MTD

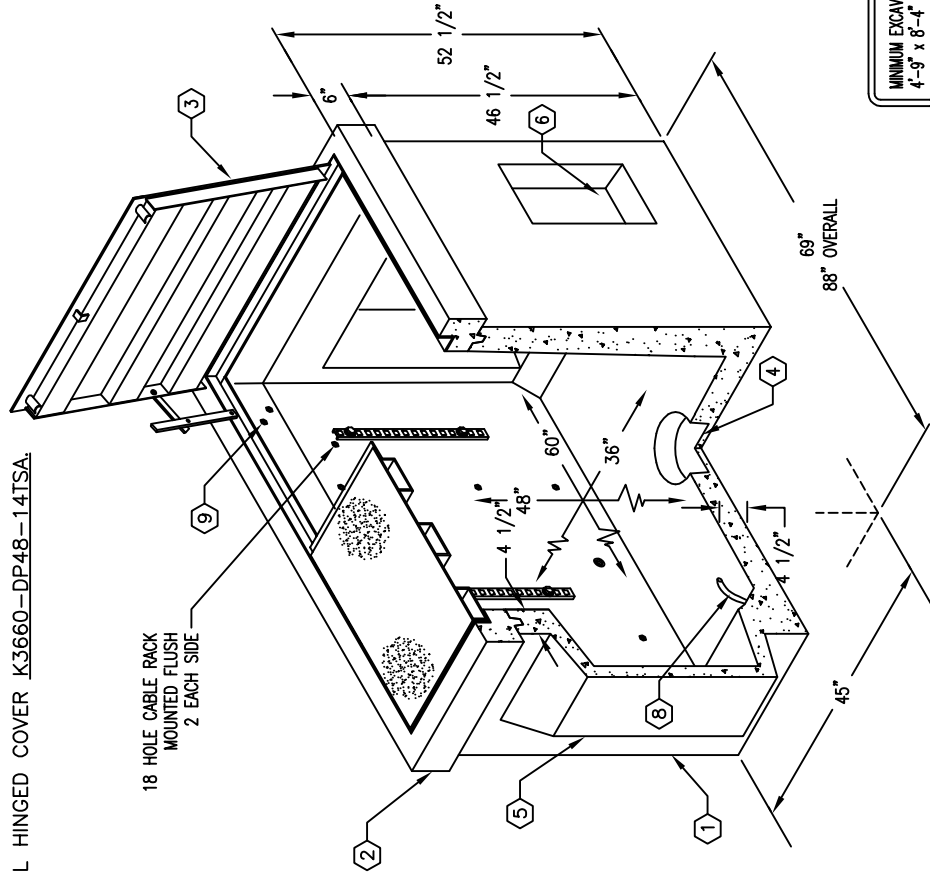
**NOTES:**

- PULL BOX DESIGNED IN ACCORDANCE WITH AASHTO H-20-44 TRAFFIC BRIDGE LOADING USING 5,500 PSI COMPRESSIVE STRENGTH CONCRETE AND 60,000 PSI YIELD STRENGTH ASTM A-706 STEEL REINFORCEMENT PER CALCS. 31395.
- STEEL COVER DESIGNED FOR 300 PSF PARKWAY LOADING OR TRAFFIC H-20 LOADING FOR OFF STREET USE.
- PULL BOX TO BE PLACED ON A MIN. 6" BASE OF CRUSHER RUN FOR EASE OF INSTALLATION AND EVEN LOAD DISTRIBUTION.

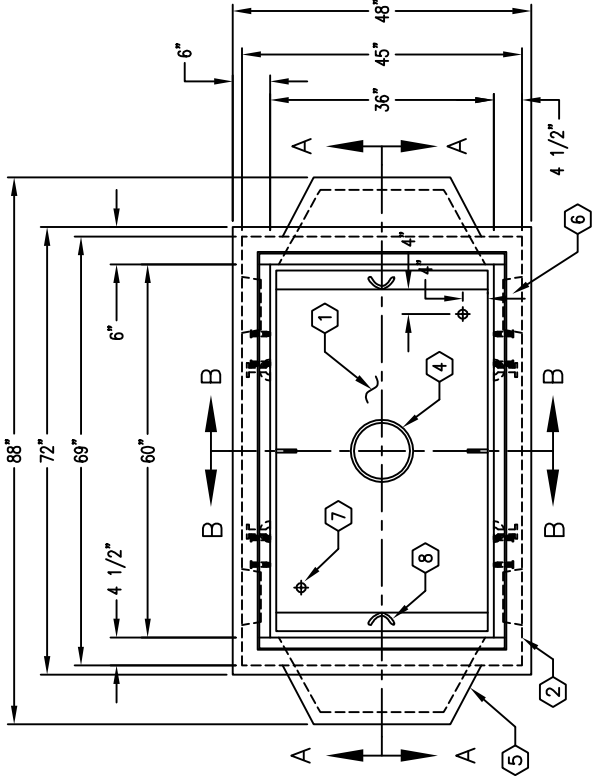
**RACKING PACKAGE:**

18 HOLE CABLE RACKS W/BOLTS = 4.

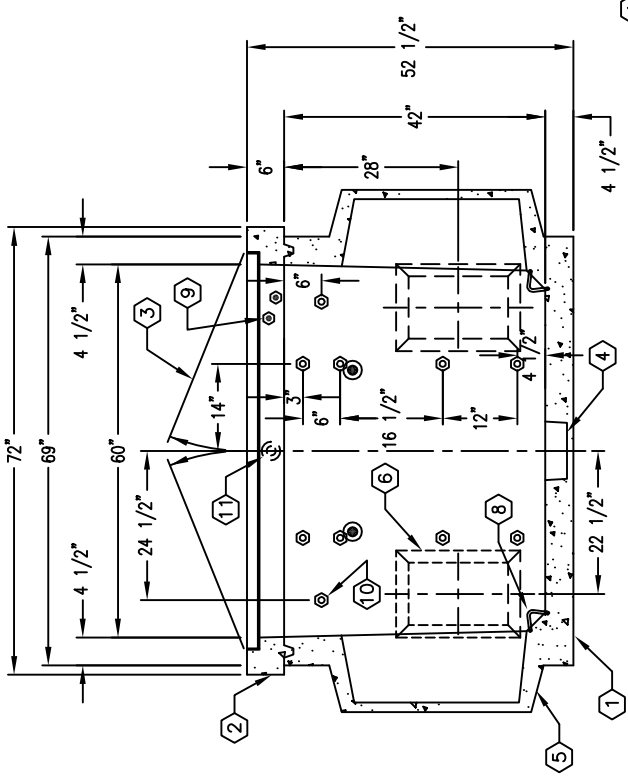
PARKWAY ASSEMBLY WITH STEEL HINGED COVER K3660-DP48-14PSA.  
 LIGHT TRAFFIC ASSEMBLY WITH STEEL HINGED COVER K3660-DP48-14TSA.



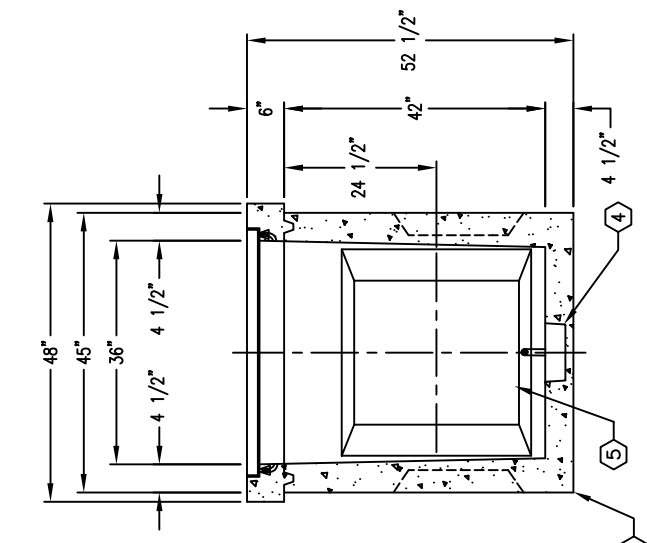
MINIMUM EXCAVATION SIZE:  
 4'-9" x 8'-4" x DEPTH REQD.



**PLAN VIEW**



**SECTION A-A**



**SECTION B-B**