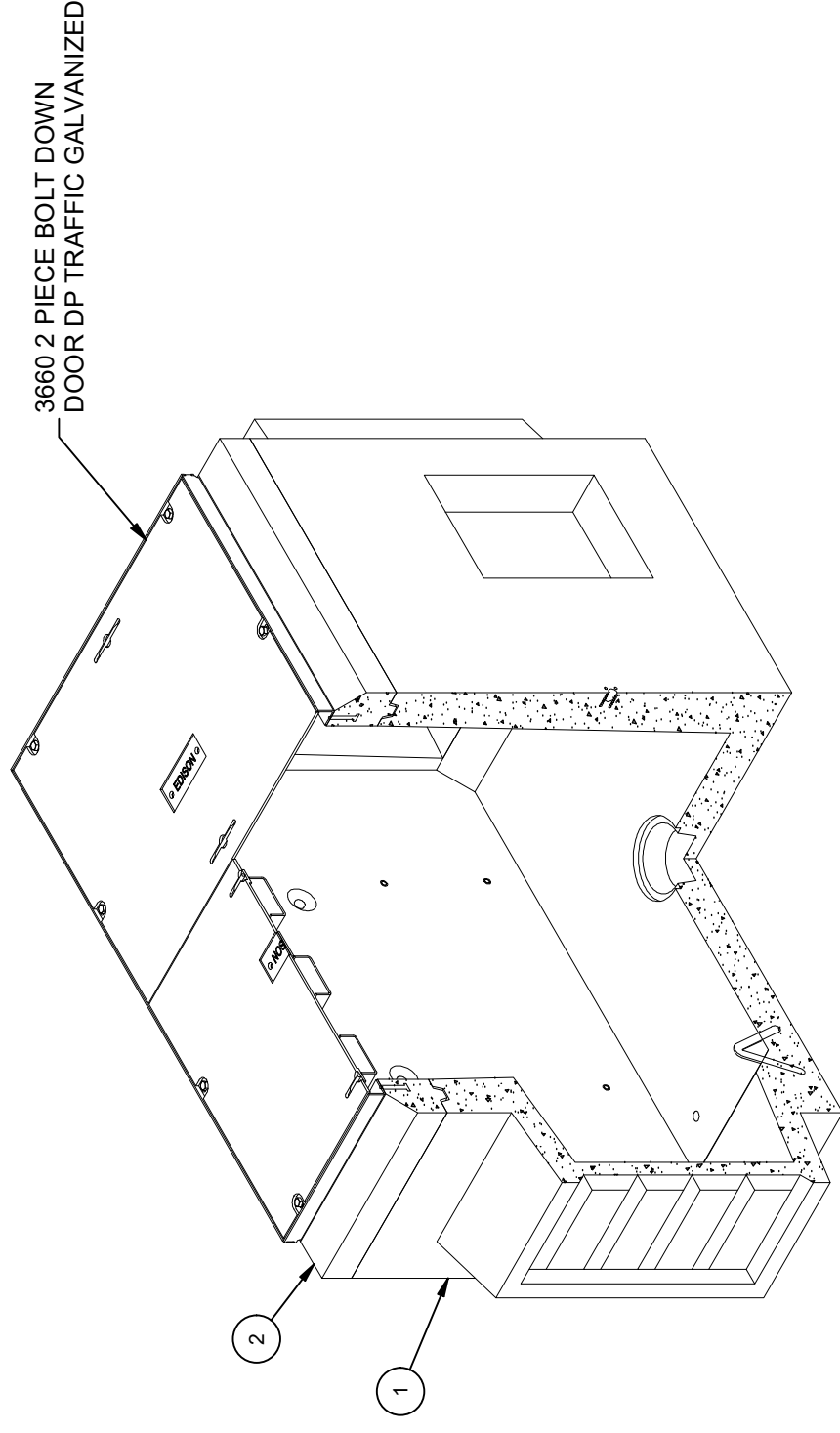


DESIGN NOTES

- DESIGNED IN ACCORDANCE WITH AASHTO HS20-44 TRAFFIC BRIDGE LOADING USING 5,500 PSI COMPRESSIVE STRENGTH CONCRETE AND 60,000 PSI YIELD STRENGTH ASTM A-706 STEEL REINFORCEMENT PER CALCS. #31395.
- COVER DESIGNED FOR OFF STREET TRUCK TRAFFIC: 16,000 LB 10" X 20" FOOTPRINT WITH 30% IMPACT RESTRICTED TO UNRESTRICTED PARKING LANES AND ALLEYS WHERE TRAFFIC SPEED IS LIMITED TO 15 MPH.
- MINIMUM EXCAVATION SIZE: 4'-9" X 8'-4" X DEPTH REQ'D.
- VAULT TO BE PLACED ON A MIN. 6" BASE OF CRUSHER RUN FOR EASE OF INSTALLATION AND EVEN LOAD DISTRIBUTION.
- ALL PARTS TO BE STENCILED: MFG DATE / JOB NUMBER / PRODUCT ID / WEIGHT.
- FOR COMPLETE DESIGN AND PRODUCT INFORMATION CONTACT JENSEN PRECAST.

BILL OF MATERIALS

ITEM	UNIT QTY	QTY	PART NUMBER	DESCRIPTION	MASS (lb)
1	1	1	100007452	Vault 3660x42 Rect. Bottom Section Knockout Ducted, Sump Edison HP 225, PB-7	4935
2	1	1	100012206	Top Riser 3660x8 Cast-In Frame Edison HP 225 PB-6	526
3	1	2	100006660	DOOR 3660 DP GALV TGV-11	167
4	1	8	100007123	PENTA BOLT 1/2-13 UNC 2-1/2 7/8HEAD 304SS	
5	1	2	100006743	NAME PLATE SS - EDISON	
6	1	2	100007650	NAME PLATE HARDWARE KIT	
7	1.000 ul	1.000 ul	100005749	SEALANT JOINT BUTYL RUBBER ASTM C-990 AND M198 CS-102 1IN EQUIV X14.5FT PER BOX 118FT	



ISOMETRIC VIEW

LIFTING NOTES

- FIELD INSTALLATION: PLANT DEMOLDING: MINIMUM HANDLING CONCRETE STRENGTH F<sub>c</sub> = 5500 PSI RIGGING EQUALIZER REQUIRED TO EQUALIZE LOAD TO 4 LIFTING POINTS WITH A SLING ANGLE BETWEEN 60° AND 90°

BURY DEPTH:	0.0' - 0.0' to Top		
WATER LEVEL:	3.0'	APPROX. WEIGHT:	5797.46 Lbs
DESIGN SPEC:	ACI 318, ASTM C857	LOADING SPEC:	A-16 (AASHTO HS20-44)
AGENCY:	Edison	AGENCY SPEC:	HP 225, PB-6

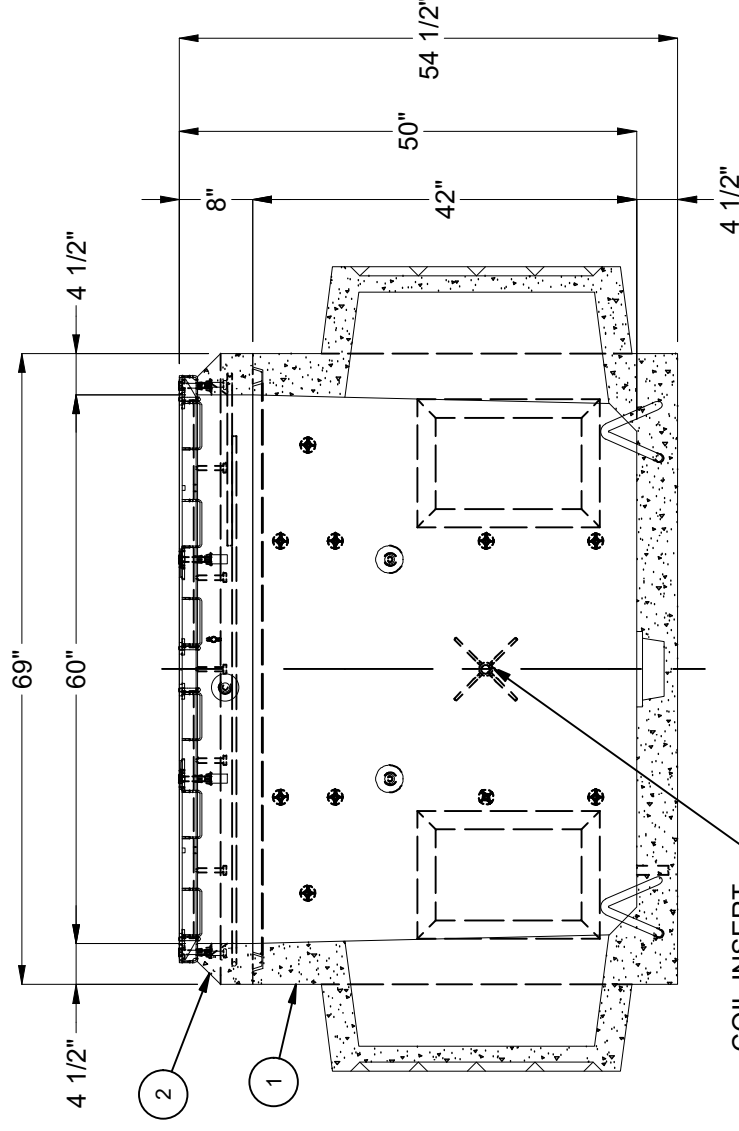
**JENSEN PRECAST** EST. 1968  
[WWW.JENSENPRECAST.COM](http://WWW.JENSENPRECAST.COM)

©2024 Jensen Precast. All rights reserved. All materials appearing as Jensen Precast documents and the like are proprietary work product and are protected under U.S. copyright and other laws. Unless in conjunction with business conducted with Jensen Precast, any use of Jensen Precast work product without express, written consent is prohibited, and recipient is prohibited from distributing any and all work product to non-approved third parties under penalty of civil action.

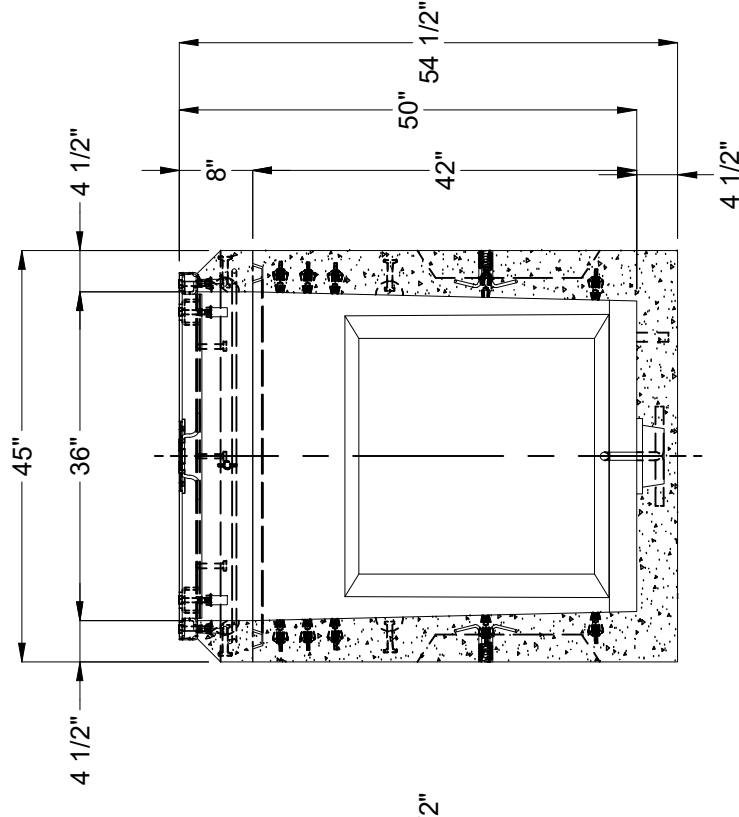
REVISION HISTORY

REV	DESCRIPTION	DATE	APPROVED
B-1	INITIAL RELEASE INVENTOR	4/4/2024	

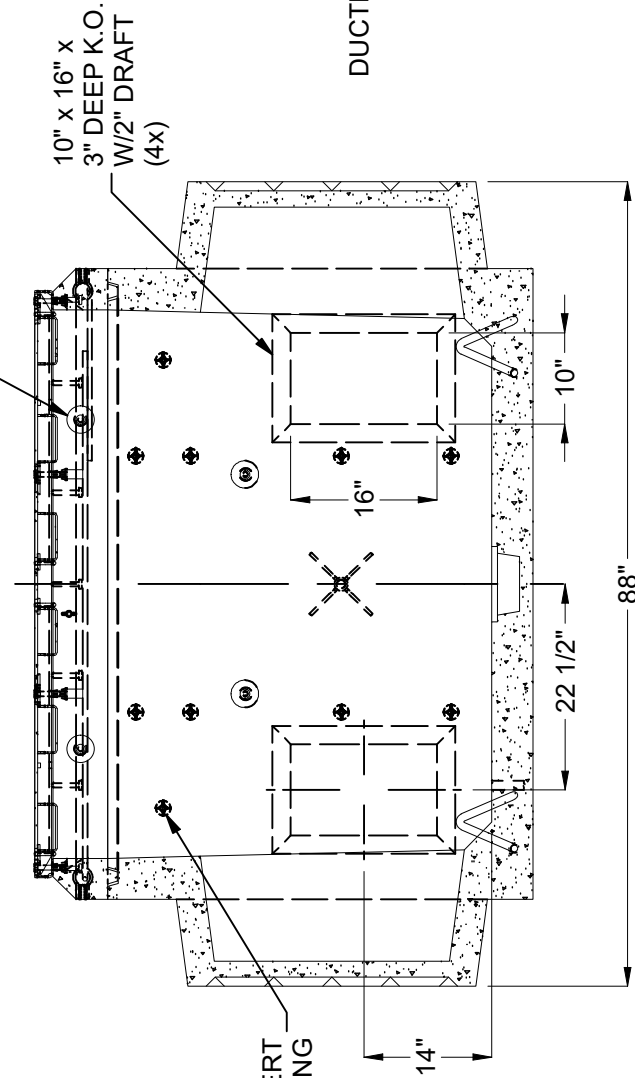
DESCRIPTION:	Vault Layout 3660x50 Knockout Ducted, Sump 36"x60" Edison HP 225, PB-6 Traffic	REV:	B
PART NUMBER:	100010372	LAYOUT REVIEW	SHEET: 25
CREATED:	6/14/2019	DRAWN BY:	J. Prado
		MODIFIED:	4/4/2024
			1 OF 2



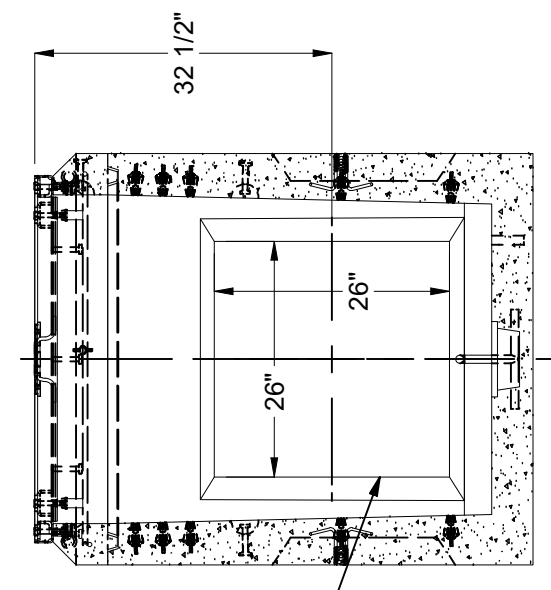
**SECTION A-A**



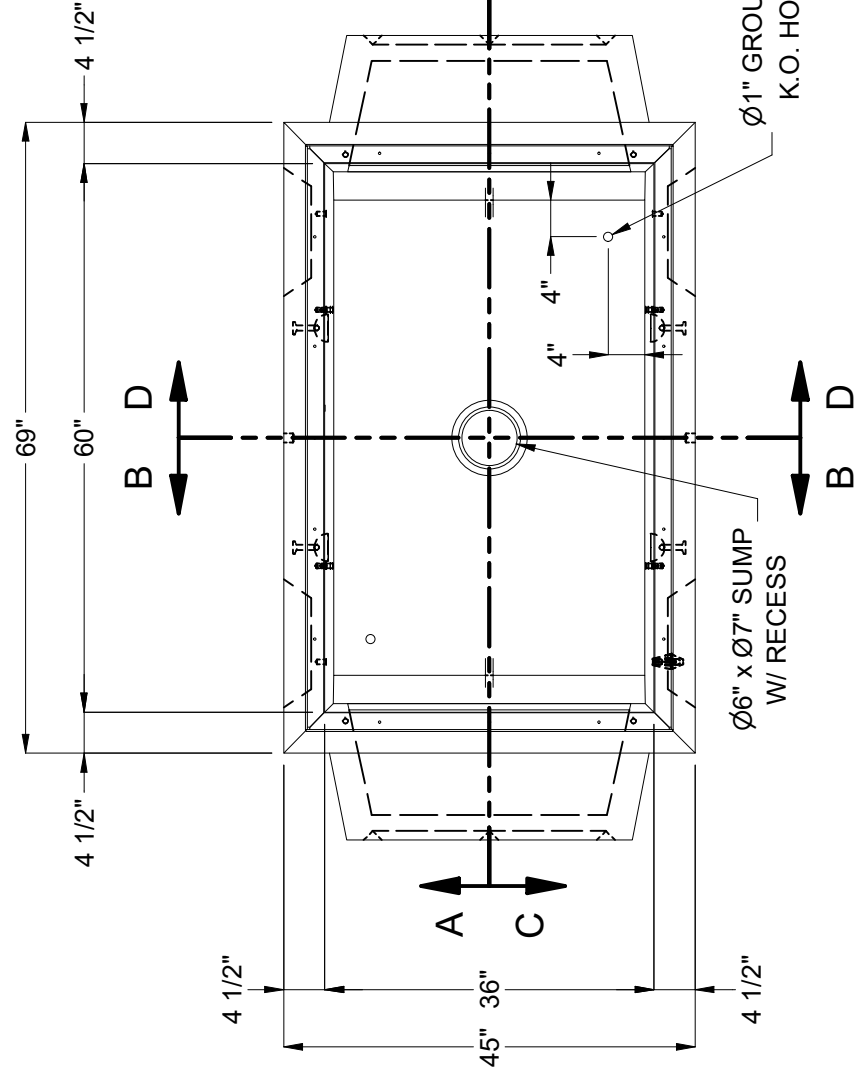
**SECTION B-B**



**SECTION C-C**



**SECTION D-D**



**PLAN VIEW**  
(COVER NOT SHOWN FOR CLARITY)

BURY DEPTH:	0.0' - 0.0' to Top
WATER LEVEL:	3.0'
DESIGN SPEC:	ACI 318, ASTM C857
AGENCY:	Edison
APPROX. WEIGHT:	5797.46 Lbs
LOADING SPEC:	A-16 (AASHTO HS20-44)
AGENCY SPEC:	HP 225, PB-6

**JENSEN PRECAST** EST. 1968  
[WWW.JENSENPRECAST.COM](http://WWW.JENSENPRECAST.COM)

©2024 Jensen Precast. All rights reserved. All materials appearing as Jensen Precast documents and the like are proprietary work product and are protected under U.S. copyright and other laws. Unless in conjunction with business conducted with Jensen Precast, any use of Jensen Precast work product without express, written consent is prohibited, and recipient is prohibited from distributing any and all work product to non-approved third parties under penalty of civil action.

DESCRIPTION:	Vault Layout 3660x50 Knockout Ducted, Sump 36"x60" Edison HP 225, PB-6 Traffic
LAYOUT DRAWING	
PART NUMBER:	100010372
DRAWN BY:	J. Prado
CREATED:	6/14/2019
MODIFIED:	4/4/2024

10010372.rvt