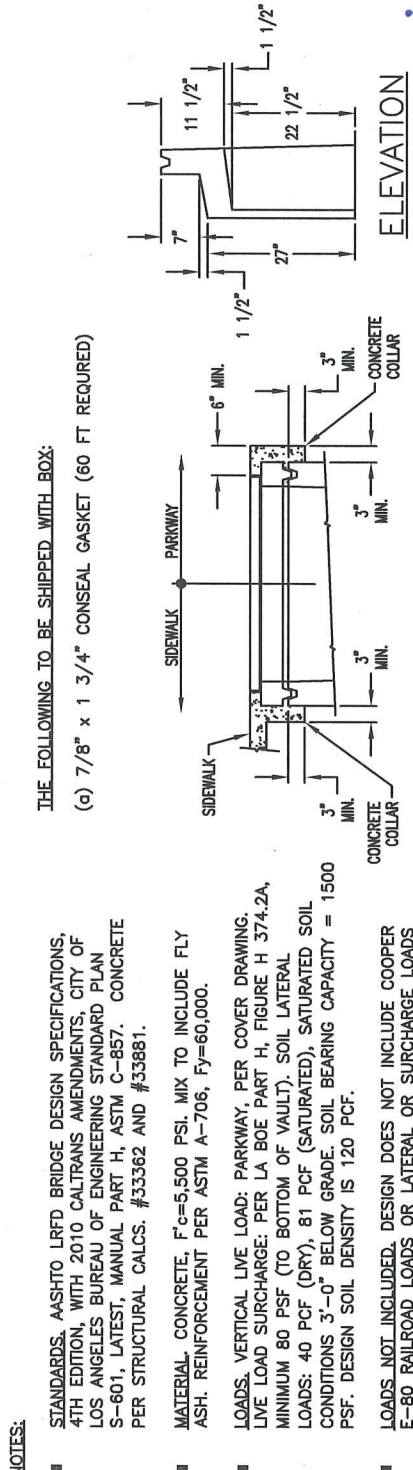


# 3'-0" x 5'-0" PARKWAY INTERCEPT FIBER OPTIC BOX x 48"-72" DEEP

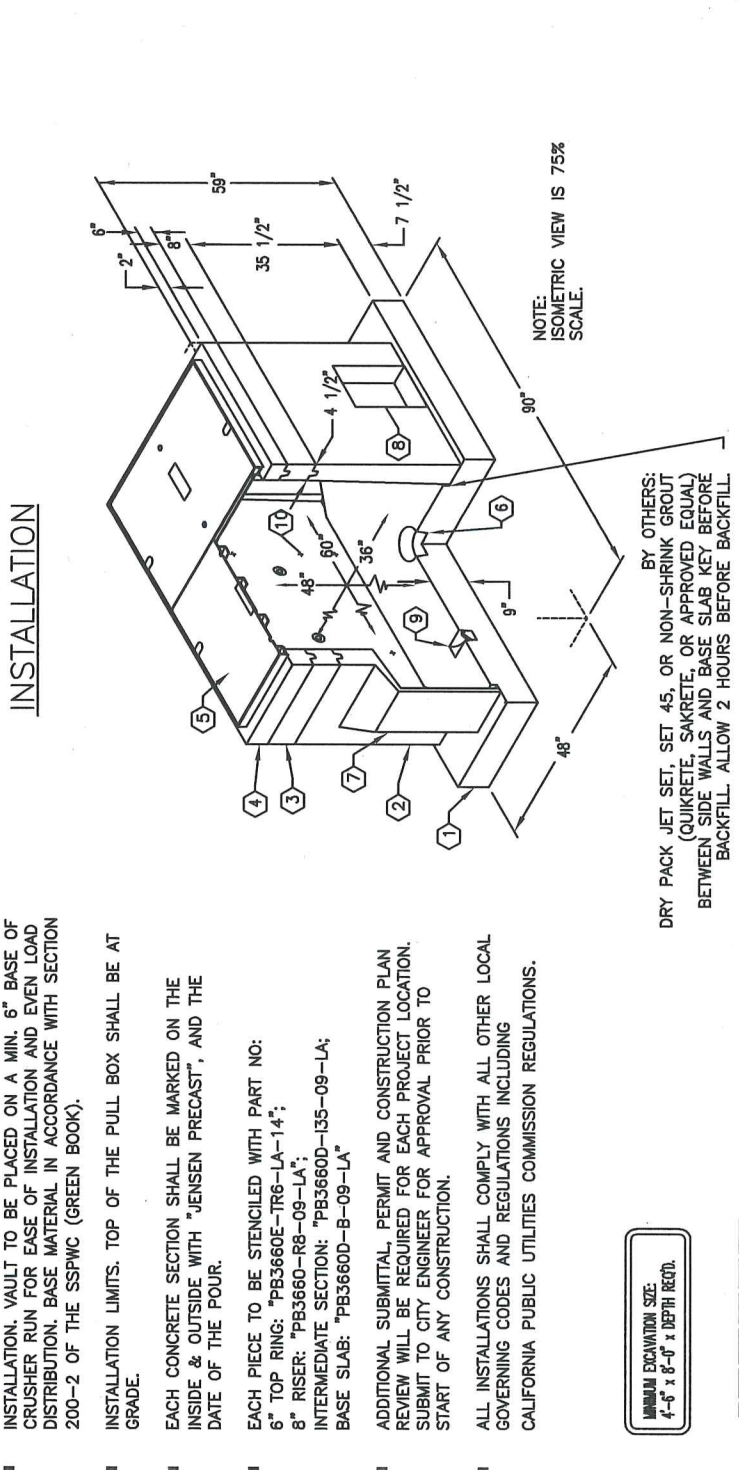
MATERIAL LIST			
ITEM PART NO.	DESCRIPTION	REBAR NO. / LOCATE	MOUNT/ WEIGHT
1	PB3660D-B-09-LA	CG-3660D-B-09-LA	3,380 lbs
2	PB3660D-I35-09-LA	CG-3660D-I35-09-LA	2,860 lbs
3	PB3660-R8-09-LA	PB3660-R8-09-LA	660 lbs
4	PB3660E-TR6-LA-14 F3660-PB-ANG	CG-3660-LOOP-LA-14	537 lbs
5	SC3660-PSGRV-LA		285 lbs
(2) PIECE PARKWAY BOLT DOWN GALVANIZED SLIP RESISTANT STEEL COVER, MARKED AS REQ'D. COVER SHALL BE APPROVED BY CITY OF LA			
6	KNOCK OUT	BOTTOM SECTION	(1) CORE
7	KNOCK OUT	INTERMEDIATE SECTION	(2) CORE
8	KNOCK OUT	INTERMEDIATE SECTION	(4) SHELL
9	55-35-06	BASE SLAB	(2) CORE
10	55-10-424	INTERMEDIATE SECTION	(16) CORE
11	55-20-203	INTERMEDIATE SECTION	(4) CORE
		BASE SLAB	(4) SURFACE; (4) CORE
		TOP RING	(4) SHELL
12	55-20-102	8" RING SECTION	(4) CORE; (4) SHELL
13	KNOCK OUT	BOTTOM SECTION	(2) CORE



**INSTALLATION**

INSTALLATION NOTES:

- CONTINUOUS CONCRETE COLLAR FOUR SIDES.
- WHERE THERE IS SIDEWALK, COLLAR TO BE MONOLITHIC WITH SIDEWALK.
- FLUSH WITH ADJACENT TOP OF CURB AND/OR LANDSCAPE BACKFILL WITHIN 1/4".



**INSTALLATION**

INSTALLATION LIMITS. TOP OF THE PULL BOX SHALL BE AT GRADE.

EACH CONCRETE SECTION SHALL BE MARKED ON THE INSIDE & OUTSIDE WITH "JENSEN PRECAST", AND THE DATE OF THE POUR.

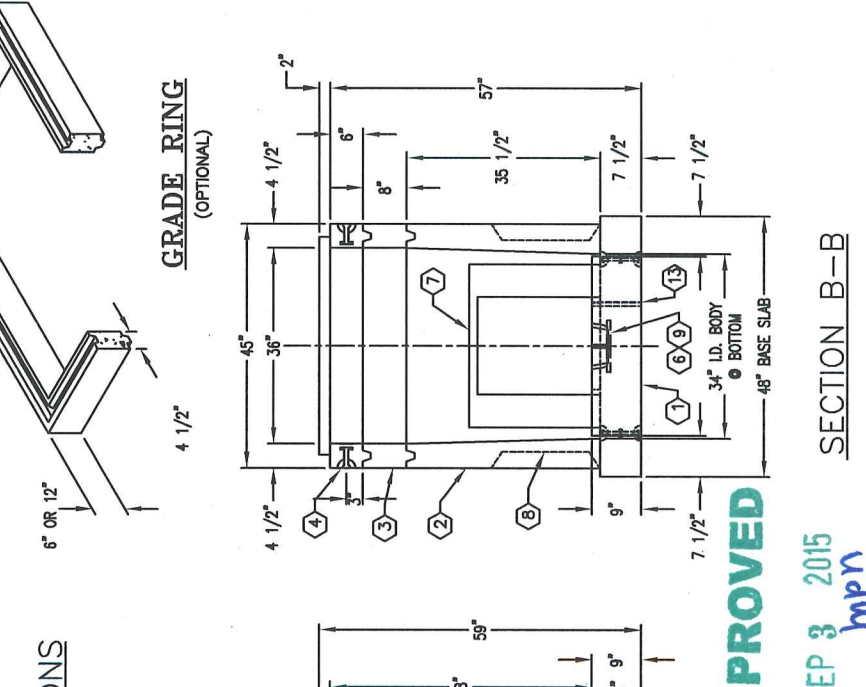
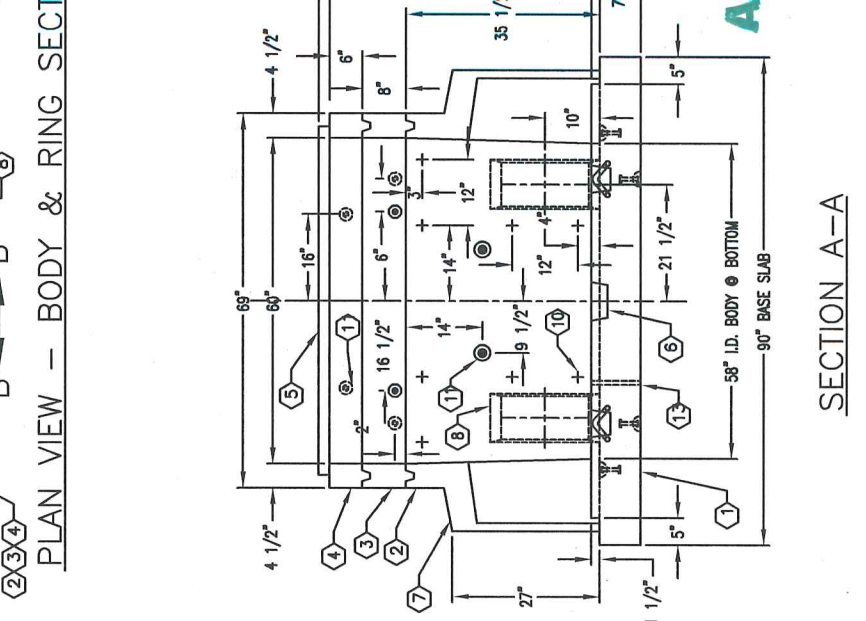
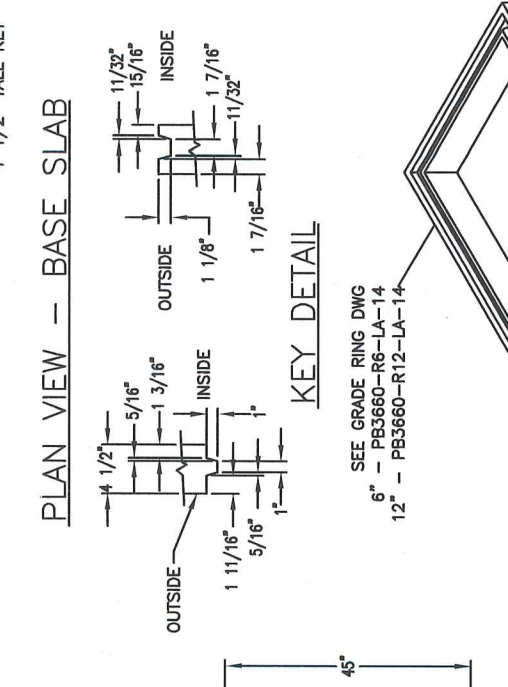
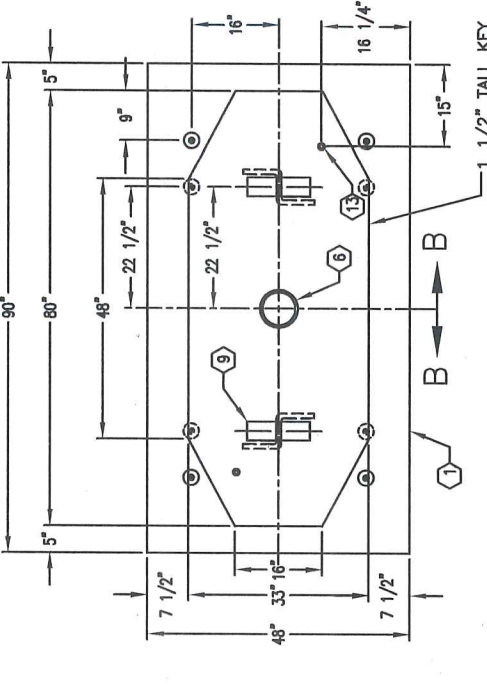
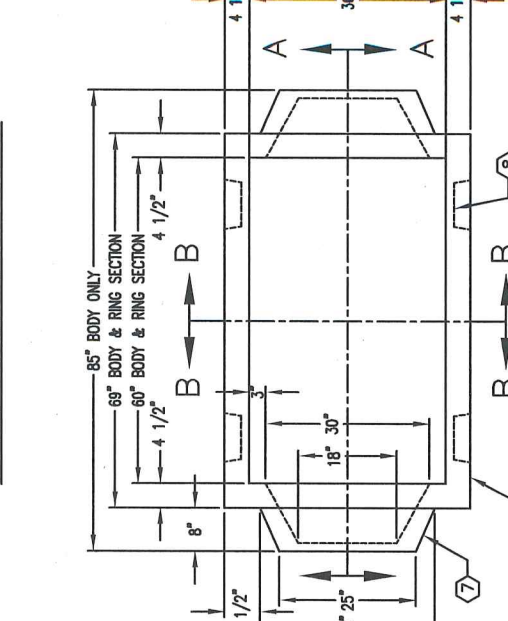
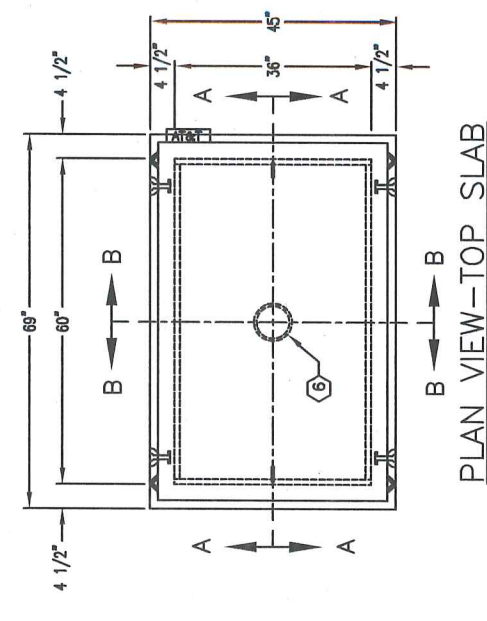
EACH PIECE TO BE STENCILED WITH PART NO:  
 6" TOP RING: "PB3660E-TR6-LA-14";  
 8" RISER: "PB3660-R8-09-LA";  
 INTERMEDIATE SECTION: "PB3660D-I35-09-LA";  
 BASE SLAB: "PB3660D-B-09-LA"

ADDITIONAL SUBMITTAL, PERMIT AND CONSTRUCTION PLAN REVIEW WILL BE REQUIRED FOR EACH PROJECT LOCATION. SUBMIT TO CITY ENGINEER FOR APPROVAL PRIOR TO START OF ANY CONSTRUCTION.

ALL INSTALLATIONS SHALL COMPLY WITH ALL OTHER LOCAL GOVERNING CODES AND REGULATIONS INCLUDING CALIFORNIA PUBLIC UTILITIES COMMISSION REGULATIONS.



K3660-F0H48I-LA-P-14  
01-14-14  
PER A/E/T SPECS



**APPROVED**

SEP 3 2015  
mpn

#	DATE	DESCRIPTION	BY
C	08-25-15	REVISION WT OF ITEM 3	ED
B	07-28-15	COMBINED APPROVED 3/5 PAVY COVER WITH INTERCEPT	JMS



K3660-F0H48I-LA-P-14  
01-14-14  
PER A/E/T SPECS