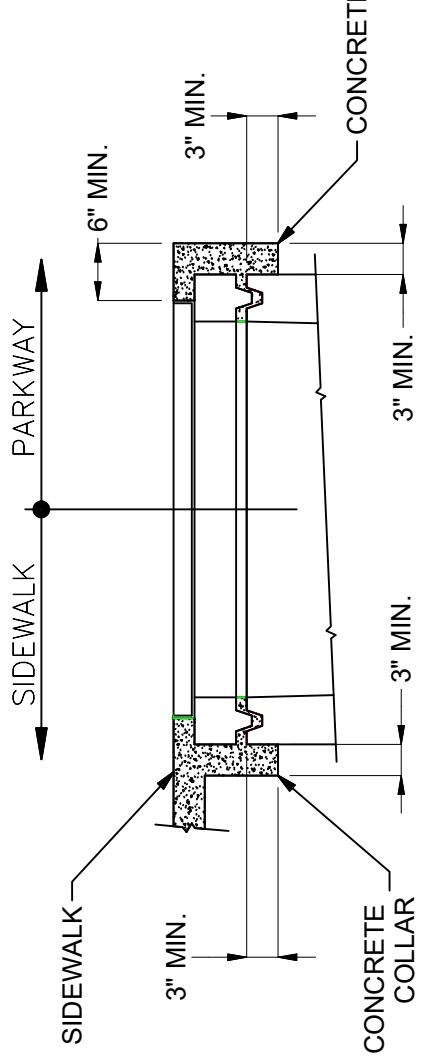


**NOTES:**

- STANDARDS. AASHTO LRFD BRIDGE DESIGN SPECIFICATIONS, 8TH EDITION, WITH 2022 CALTRANS AMENDMENTS, CITY OF LOS ANGELES BUREAU OF ENGINEERING STANDARD PLAN S-601, LATEST, MANUAL PART H, LADWP P 178, ASTM C-857. STRUCTURAL CALCS FOR BOX: #34228.
- MATERIAL. CONCRETE, F<sub>c</sub>=5,500 PSI. MIX TO INCLUDE FLY ASH AND DCI. REINFORCEMENT PER ASTM A-706. F<sub>y</sub>=60,000.
- LOADS. VERTICAL LIVE LOAD: PARKWAY, PER COVER DRAWING. LIVE LOAD SURCHARGE: PER LA BOE PART H, FIGURE H 374.2A. MINIMUM 80 PSF (TO BOTTOM OF VAULT). SOIL LATERAL LOADS: 40 PCF (DRY), 81 PCF (SATURATED), SATURATED SOIL CONDITIONS 3'-0" BELOW GRADE. SOIL BEARING CAPACITY = 1,500 PSF. DESIGN SOIL DENSITY IS 120 PCF.
- LOADS NOT INCLUDED. DESIGN DOES NOT INCLUDE COOPER E-80 RAILROAD LOADS OR LATERAL OR SURCHARGE LOADS THAT ARE PRODUCED BY FOOTING OR FOUNDATIONS ADJACENT TO THE STRUCTURE. THIS SUBSTRUCTURE SHALL BE KEPT AT LEAST IN A 1:1 RATIO AWAY FROM ALL FOOTINGS AND FOUNDATIONS, UNLESS THE ENGINEER OF RECORD APPROVES IN WRITING.
- INSTALLATION. PULL BOX TO BE PLACED ON A MIN. 6" BASE OF CRUSHER RUN FOR EASE OF INSTALLATION AND EVEN LOAD DISTRIBUTION. BASE MATERIAL IN ACCORDANCE WITH SECTION 200-2 OF THE SSPWC (GREEN BOOK).
- COVER DESIGNED FOR PARKWAY LOADING. (SC3660-PSRGRV) 2-PIECE PARKWAY BOLT-DOWN GALVANIZED STEEL COVERS APPROVED BY CITY OF L.A.
- INSTALLATION LIMITS. TOP OF THE PULL BOX SHALL BE AT GRADE.
- EACH CONCRETE SECTION SHALL BE MARKED ON THE INSIDE & OUTSIDE WITH "JENSEN PRECAST", AND THE DATE OF THE POUR.
- EACH PIECE TO BE STENCILLED WITH ITS PART NO.
- MINIMUM EXCAVATION SIZE: 5'-0" X 8'-6" X DEPTH REQD.
- ADDITIONAL SUBMITTAL, PERMIT AND CONSTRUCTION PLAN REVIEW WILL BE REQUIRED FOR EACH PROJECT LOCATION. SUBMIT TO CITY ENGINEERS FOR APPROVAL PRIOR TO START OF ANY CONSTRUCTION.
- ALL INSTALLATIONS SHALL COMPLY WITH ALL OTHER LOCAL GOVERNING CODES AND REGULATION INCLUDING CALIFORNIA PUBLIC UTILITIES COMMISSION REGULATIONS.
- FOR COMPLETE DESIGN AND PRODUCT INFORMATION CONTACT JENSEN PRECAST.



- INSTALLATION NOTES:**
1. CONTINUOUS CONCRETE COLLAR FOUR SIDES.
  2. WHERE THERE IS SIDEWALK, COLLAR TO BE MONOLITHIC WITH SIDEWALK.
  3. FLUSH WITH ADJACENT TOP OF CURB AND/OR LANDSCAPE BACKFILL WITHIN 1/4"

**LIFTING NOTES**

- THIS CONCRETE PRODUCT IS DESIGNED TO BE LIFTED AT 5,500 PSI WITH 4 LIFT CONNECTIONS EQUALLY LOADED TO 3 OR 4 LIFTING POINTS AT A MINIMUM 60° SLING ANGLE, MEASURED FROM HORIZONTAL.

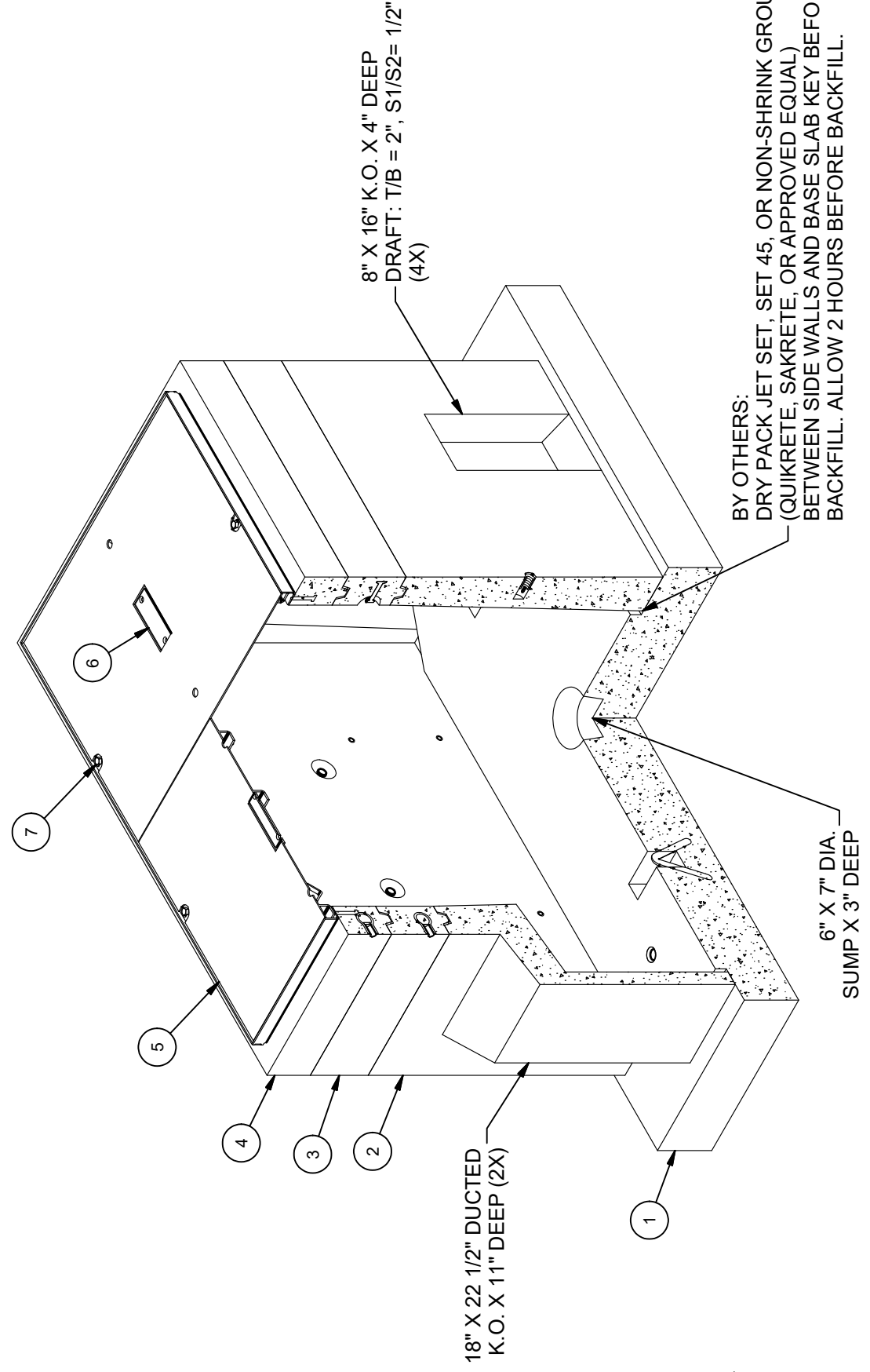
|                 |                      |
|-----------------|----------------------|
| BURY DEPTH:     | 0.0' - 0.0' to Top   |
| WATER LEVEL:    | 3.0'                 |
| DESIGN SPEC:    | AASHTO LRFD, ACI 318 |
| AGENCY:         | AT&T                 |
| APPROX. WEIGHT: | 7552.01 Lbs          |
| LOADING SPEC:   | AASHTO HL-93         |
| AGENCY SPEC:    | COLA                 |

**BILL OF MATERIALS**

| ITEM | UNIT QTY | QTY      | PART NUMBER | DESCRIPTION   | MASS (lb) |
|------|----------|----------|-------------|---|-----------|
| 1    | 1        | 1        | 100012247   | Vault 3660x9 Slab Bottom Sump AT&T COLA   | 3096      |
| 2    | 1        | 1        | 100012248   | Intercept Riser 3660x35.5 Knockout Ducted AT&T COLA                                   | 2966      |
| 3    | 1        | 1        | 100012190   | Riser 3660x8 LADWP COLA   | 645       |
| 4    | 1        | 1        | 100012213   | Top Riser 3660x6 Cast-In Frame AT&T COLA  | 560       |
| 5    | 1        | 2        | 100009866   | COVER 3660 STEEL S/R B/D PKWY GALV COLA INSPECTED                                     | 142       |
| 6    | 1        | 2        | 100012941   | NAME PLATE STAINLESS STEEL - FONTANA PORT STYLE CUSTOM                                |           |
| 7    | 1        | 4        | 100007123   | PENTA BOLT 1/2-13 UNC 2-1/2 7/8 HEAD 304SS  |           |
| 8    | 1        | 2        | 100007650   | NAME PLATE HARDWARE KIT   |           |
| 9    | 1.000 ul | 1.000 ul | 100005749   | SEALANT JOINT BUTYL RUBBER ASTM C-990 AND M198 CS-102 1IN EQUIV X14.5FT PER BOX 118FT |           |

**EXTENSIONS ARE AVAILABLE IN THE FOLLOWING SIZES:**

- A. 200078770 (PB3660-R6-LA-14COLA), 6" EXTENSION SECTION WT. 480 lb.
- B. 200077010 (PB3660-R12-LA-14COLA), 12" EXTENSION SECTION WT. 973 lb.



**ISOMETRIC VIEW**

**STOCKPILE - JENSEN PRECAST  
CITY OF LOS ANGELES INSPECTION  
REQUIRED WO# C0034604**

| REV | DESCRIPTION              | DATE     | APPROVED |
|-----|--------------------------|----------|----------|
| B-1 | INITIAL RELEASE INVENTOR | 1/3/2024 |          |

|               |  |
|---------------|--|
| DESCRIPTION:  | Vault Layout 3660x48 Knockout Ducted 36"x60" C AT&T COLA |
| REV:          | B-1  |
| PART NUMBER:  | 100010381  |
| CREATED:      | 10/18/2023   |
| LAYOUT REVIEW | J. Prado   |
| DRAWN BY:     | J. Prado   |
| MODIFIED:     | 1/3/2024   |

©2024 Jensen Precast. All rights reserved. All materials appearing as Jensen Precast documents and the like are proprietary work product and are protected under U.S. copyright and other laws. Unless in conjunction with business conducted with Jensen Precast, any use of Jensen Precast work product without express, written consent is prohibited, and recipient is prohibited from distributing any and all work product to non-approved third parties under penalty of civil action.

