

3'-0" x 5'-0" TRAFFIC BOLT-DOWN INTERCEPT PULL BOX x 48" DEEP

MATERIAL LIST

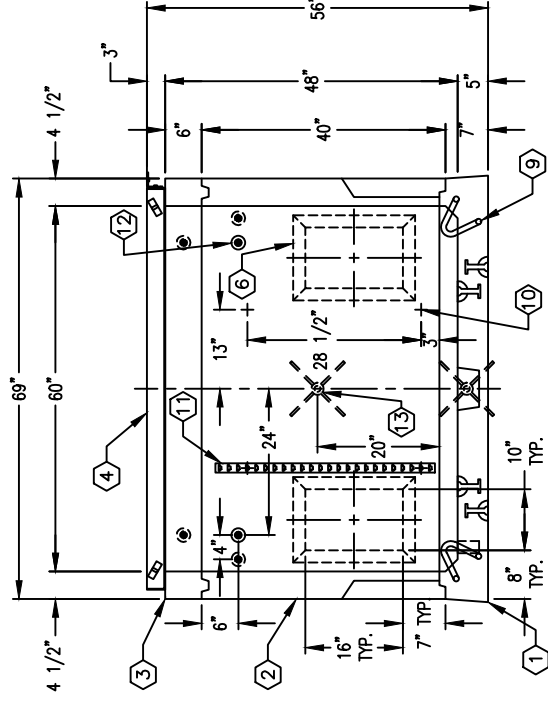
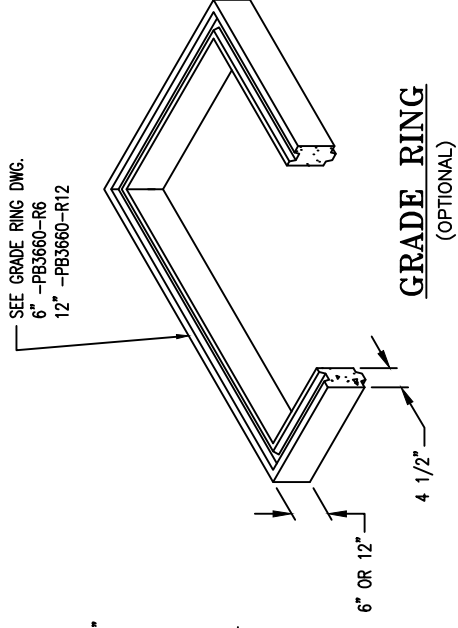
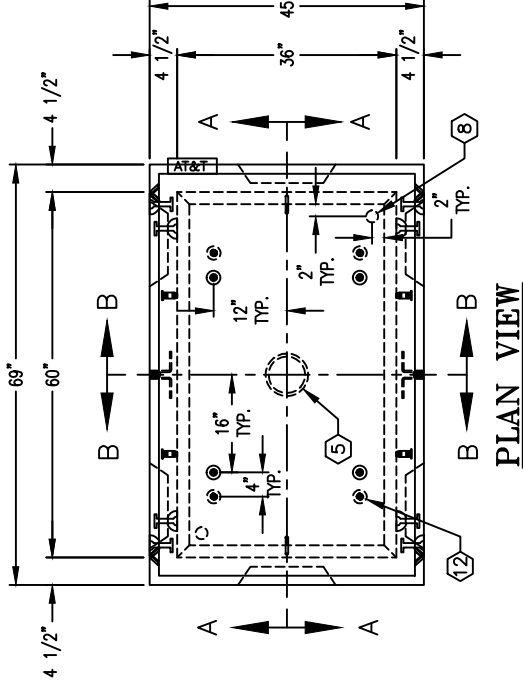
ITEM	PART NO.	DESCRIPTION	CAGE NO./ LOCATE	WEIGHT/ MOUNT
1	PB3660-B-14	7" BASE SECTION	CG-MAT-3660-B-14	1,650 lbs
2	PB3660-I40-14	40" INTERMEDIATE SECTION	CG-3660-I40-14	3,050 lbs
3	PB3660E-TR6-14TBDSRP	6" TOP RING SECTION W/TRAFFIC BOLT-DOWN COVER	CG-LOOP4H-3660 (474)	500 lbs
4	10-30-35TBDSRP-14	CAS2-3660-CDI-TRXPN-FONT, 2 PIECE NON-SLIP, TRAFFIC BOLT-DOWN, AT&T NAME PLATE, PAINTED COVER, CAST-IN.		363 lbs
5	KNOCK OUT	6" x 7" DIA. SUMP x 3 1/2" DEEP	BASE SECTION	(1) CORE
6	KNOCK OUT	10" x 16" K.O. x 3" DEEP, 2" TAPPER	INTERMEDIATE SECTION	(4) SHELL
7	KNOCK OUT	12" x 14" K.O. x 3" DEEP, 2" TAPPER	INTERMEDIATE SECTION	(2) SHELL
8	KNOCK OUT	2" DIA. BLIND GROUND ROD K.O.	BASE SECTION	(2) CORE
9	55-35-06	7/8" DIA. x 6" GALV. PULL IRON	BASE SECTION	(2) CORE
10	55-10-424	1/2" PLASTIC RACKING INSERT	INTERMEDIATE SECTION	(8) CORE
11	18-10-24	24 HOLE CABLE RACK FLUSH MOUNT	INTERMEDIATE SECTION	(4) CORE
12	55-20-203	2 TON x 3 3/8" GALV. RISS FOR HANDLING	BASE SECTION	(4) CORE/SURFACE
			TOP RING SECTION	(4) CORE/SHELL
13	55-10-830	1" x 3 1/2" DIA. COIL THREADED INSERT	INTERMEDIATE SECTION	(2) SHELL
			BASE SECTION	(2) SHELL

NOTES:

- INTERCEPT BOX DESIGNED IN ACCORDANCE WITH AASHTO H-20-44 TRAFFIC BRIDGE LOADING USING 5,500 PSI COMPRESSIVE STRENGTH CONCRETE AND 60,000 PSI YIELD STRENGTH ASTM A-706 STEEL REINFORCEMENT PER CALC. #33827.
- COVER DESIGNED FOR H-20-44 TRAFFIC LOADING FOR USE IN OFF-STREET LOCATIONS PER CALC. METAL TECH
- INTERCEPT BOX TO BE PLACED ON A MIN. 6" BASE OF CRUSHER RUN FOR EASE OF INSTALLATION AND EVEN LOAD DISTRIBUTION.
- INTERCEPT BOX DESIGNED FOR MAXIMUM 8'-0" HEIGHT.
- ALL WALLS AND CEILING SHALL BE PAINTED WHITE.
- EACH CONCRETE SECTION SHALL BE MARKED ON THE INSIDE & OUTSIDE WITH "JENSEN PRECAST-FONTANA", "JENSEN PART#", "AT&T OIN#", AND THE DATE OF POUR.
- EACH CONCRETE SECTION SHALL HAVE CAST-IN ON THE INSIDE "JENSEN", AND THE YEAR.

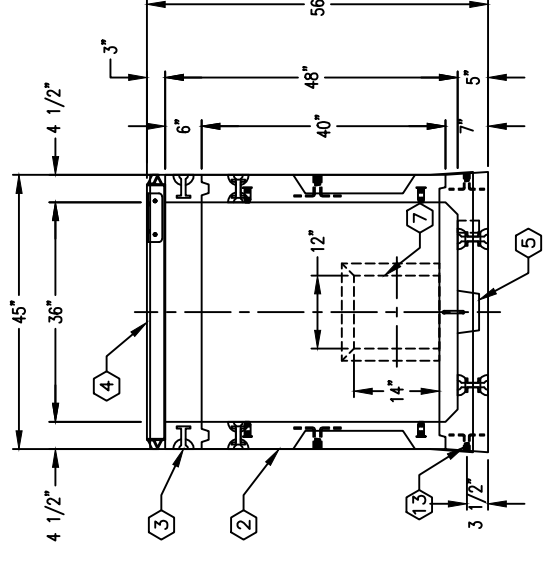
DESCRIPTION	AT&T OIN#	JENSEN P/N#
3x5x4 INTERCEPT PULL BOX, NON-SLIP, TRAFFIC, BOLT-DOWN	100061881	K3660-FP48-INT-TBD-14

DESCRIPTION	AT&T OIN#	JENSEN P/N#
6" RISER SECTION	100061963	PB3660-R6
12" RISER SECTION	100061964	PB3660-R12

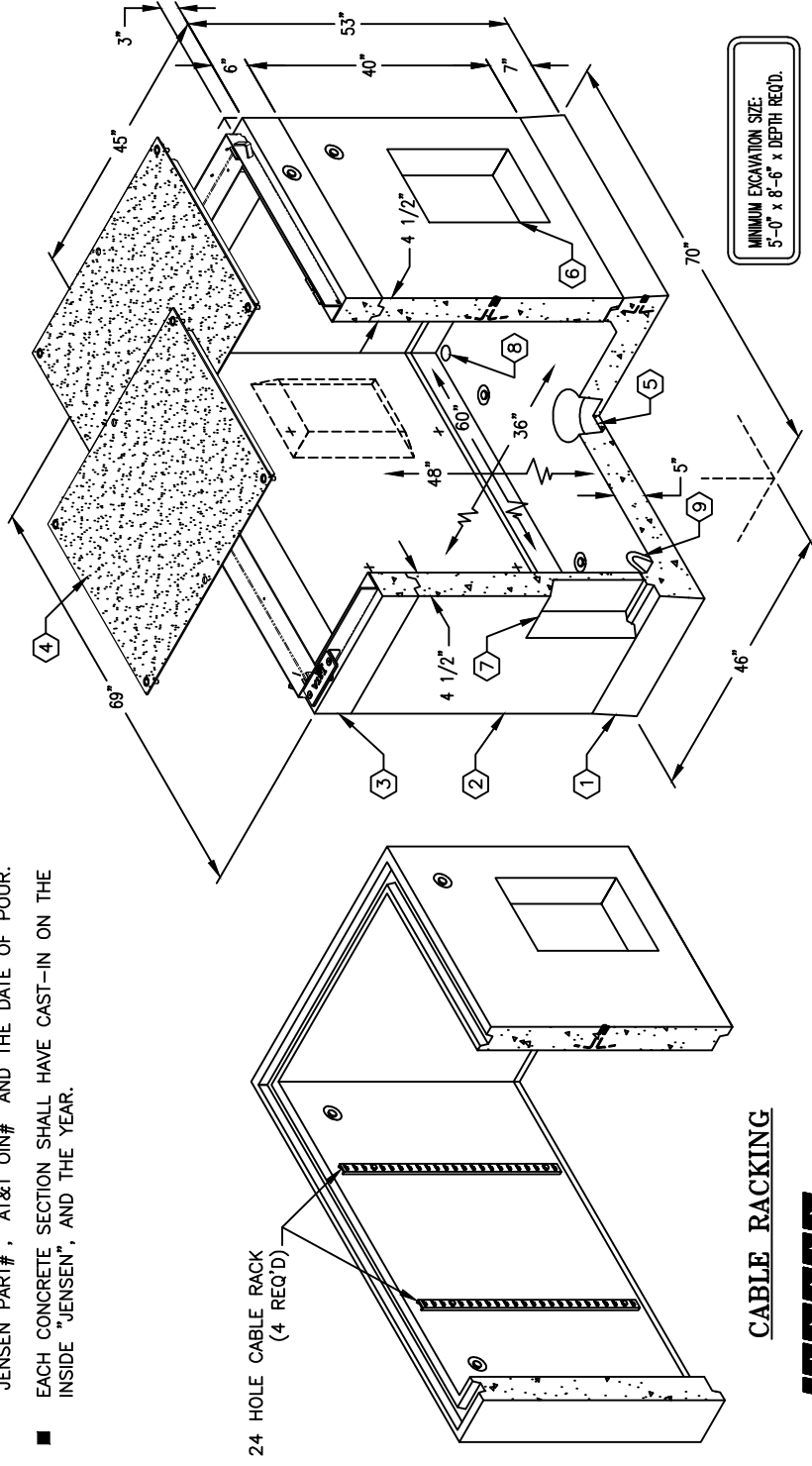


SECTION A-A

(CABLE RACKING NOT SHOWN FOR CLARITY)



SECTION B-B



CABLE RACKING

MINIMUM EXCAVATION SIZE:
5'-0" x 8'-6" x DEPTH REQ'D.

DATE	DRAWN BY	CHECKED BY			
09-22-14	JAWER P.				
#	DATE	DESCRIPTION	REVISION	BY	CHK
C	01-19-15	REMOVED AT&T OIN #100061956		J.P.	
D	03-03-15	REVISED LOCATION OF RESS PINS		J.P.	