

DESIGN NOTES

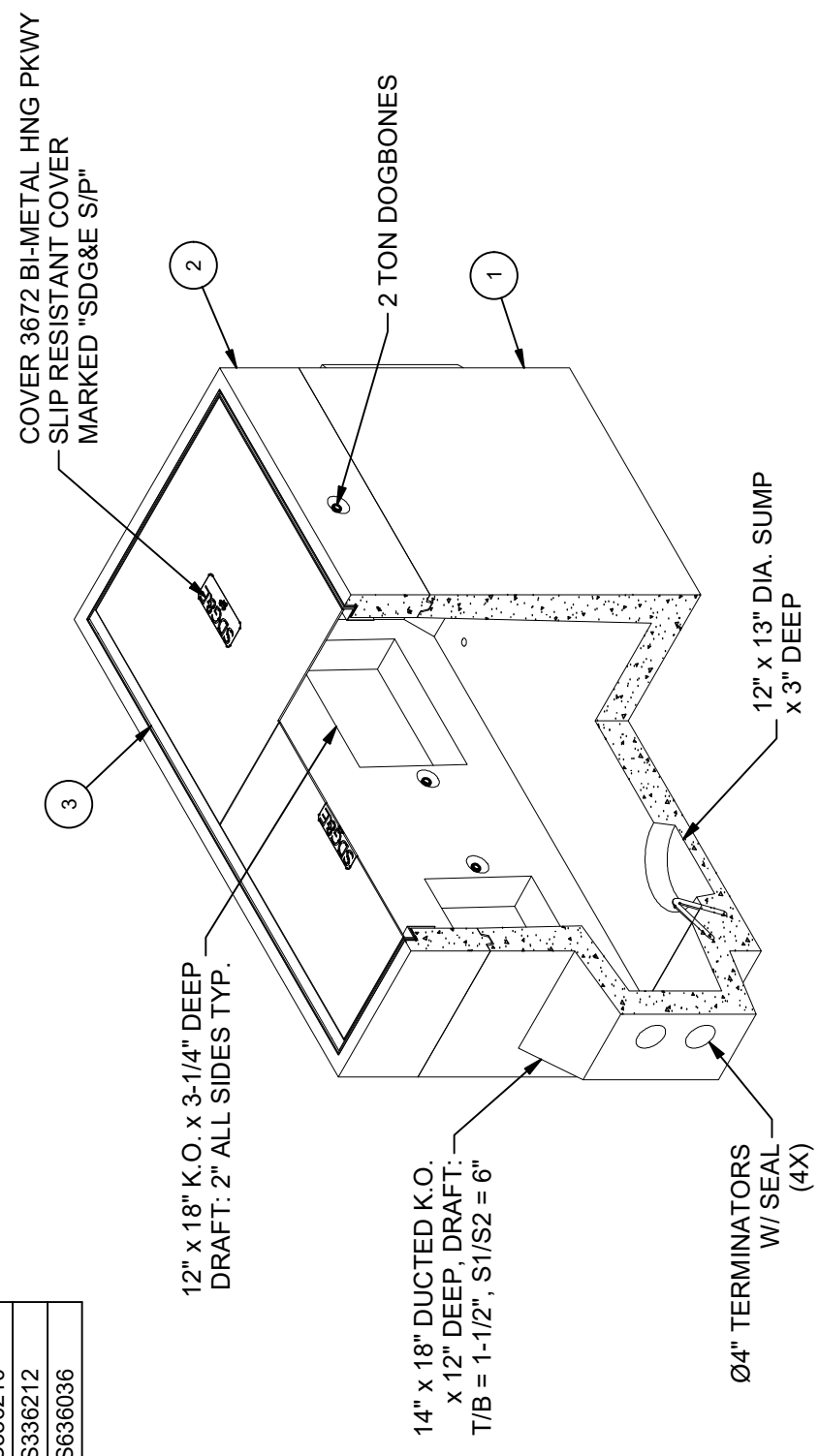
- DESIGNED IN ACCORDANCE WITH AASHTO H-20-44 TRAFFIC BRIDGE LOADING USING 6,000 PSI COMPRESSIVE STRENGTH CONCRETE AND 60,000 PSI YIELD STRENGTH ASTM A-706 STEEL REINFORCEMENT PER CALCS. #31715.
- COVER DESIGN FOR PARKWAY 300 PSF LOADING
- MINIMUM EXCAVATION SIZE: 5'-4" X 9'-6" X DEPTH REQ'D.
- VAULT TO BE PLACED ON A MIN. 6" BASE OF CRUSHER RUN FOR EASE OF INSTALLATION AND EVEN LOAD DISTRIBUTION.
- EXTERIOR SURFACES OF STRUCTURE(S) SHALL BE COATED WITH CoatMasters CM7007 IMRAE.
- STRUCTURES TO BE STENCILED, "JENSEN PRECAST", WITH "TIME" AND "DATE OF POUR", AND SDGE STOCK NUMBER ON EXTERIOR AND INTERIOR WALLS.
- STENCIL "GND" IN RED LETTERS
- FOR COMPLETE DESIGN AND PRODUCT INFORMATION CONTACT JENSEN PRECAST.

CROSS REFERENCE

JENSEN PART No.	SHORT DESCRIPTION	SDGE STOCK No.
100010390	3314 Complete Parkway Kit	S400304
100012253	3314 36" Base section	S162680
100012221	3314 12" Top section with frame	S336210
100012220	3314 Intermediate 12"	S336212
100036563	3314 Frame with hinged aluminum covers	S636036

BILL OF MATERIALS

ITEM	UNIT QTY	QTY	PART NUMBER	DESCRIPTION	MASS (lb)
1	1	1	100012253	Vault 3672x36 Rect. Bottom Section Terminators Ducted, Sump SDGE 3314	4822
2	1	1	100012221	Top Riser 3672x12 Cast-In Frame SDGE 3314	962
3	1	1	100036563	COVER 3672 BI-METAL 3672-P SDGE SP S636036 MADRUGA	
4	3,000 gal	3,000 gal	100038043	COATING WATERPROOFING CoatMasters CM7007 IMRAE	
5	1,000 ul	1,000 ul	100005749	SEALANT JOINT BUTYL RUBBER ASTM C-990 AND M198 CS-102 1IN EQUIV X14.5FT PER BOX 118FT	



ISO VIEW

LIFTING NOTES

- FIELD INSTALLATION: PLANT DEMOLING: MINIMUM HANDLING CONCRETE STRENGTH F_c = 5500 PSI RIGGING EQUALIZER REQUIRED TO EQUALIZE LOAD TO 4 LIFTING POINTS WITH A SLING ANGLE BETWEEN 60° AND 90°
- BURY DEPTH: 0.0' - 0.0' to Top
- WATER LEVEL: 3.0'
- APPROX. WEIGHT: 6013.41 Lbs
- DESIGN SPEC: ACI 318, ASTM C857
- LOADING SPEC: A-16 (AASHTO HS20-44)
- AGENCY: SDGE
- AGENCY SPEC: 3314

REVISION HISTORY

REV	DESCRIPTION	DATE	APPROVED
D	REPLACED BOTTOM SECTION	11/21/2023	

DESCRIPTION: Vault Layout 3672x48 Terminators Ducted SDGE 3314 Ext. Coating - IMRAE CoatMasters CM7007

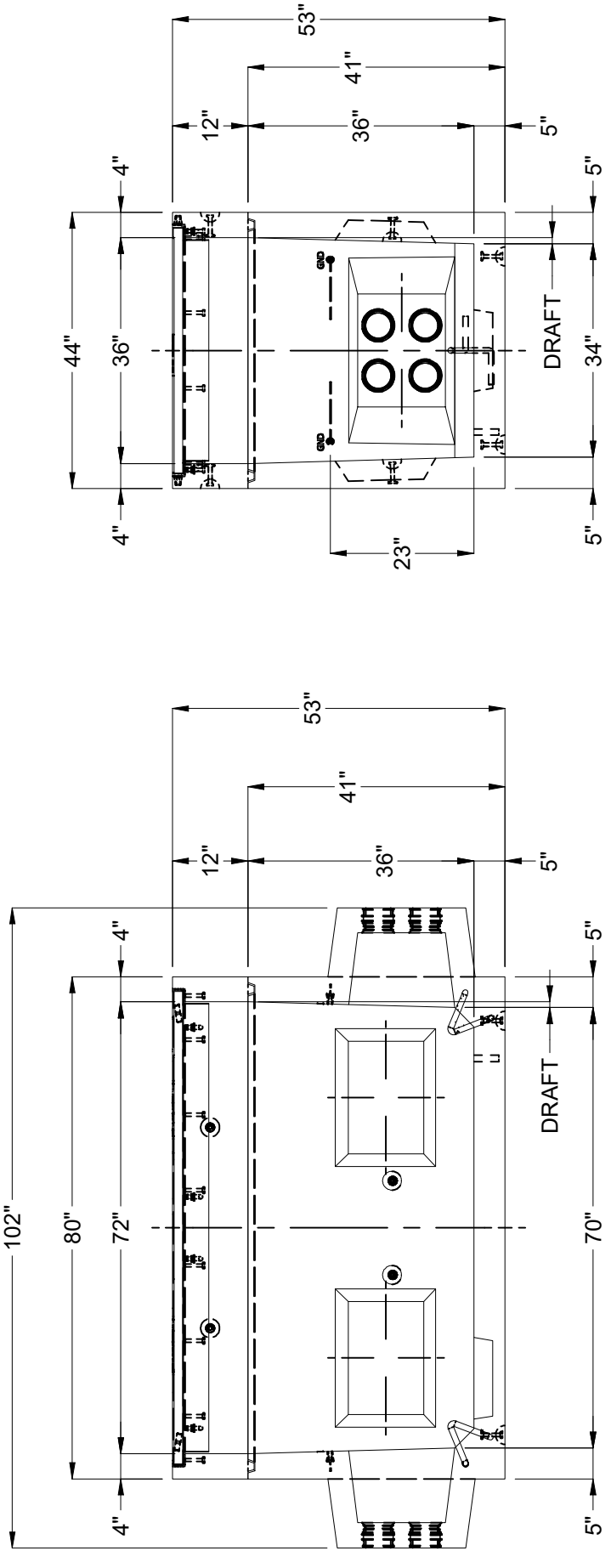
REV:	D-1
SHEET:	14
PART NUMBER:	100010390
DRAWN BY:	J. Prado
CREATED:	6/8/2020
MODIFIED:	11/21/2023
LAYOUT REVIEW	

©2023 Jensen Precast. All rights reserved. All materials appearing as Jensen Precast documents and the like are proprietary work product and are protected under U.S. copyright and other laws. Unless in conjunction with business conducted with Jensen Precast, any use of Jensen Precast work product without express, written consent is prohibited, and recipient is prohibited from distributing any and all work product to non-approved third parties under penalty of civil action.

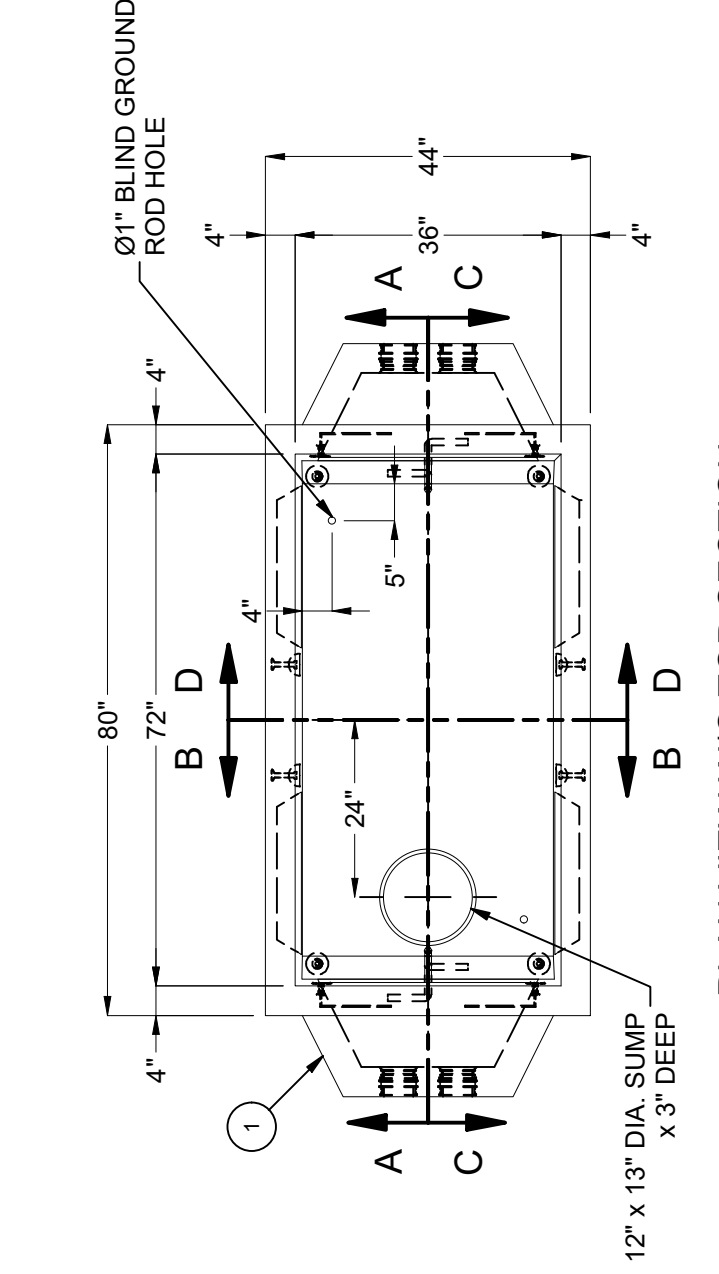
JENSEN PRECAST EST. 1968
WWW.JENSENPRECAST.COM

MPI:06E010001

MPI:063010001

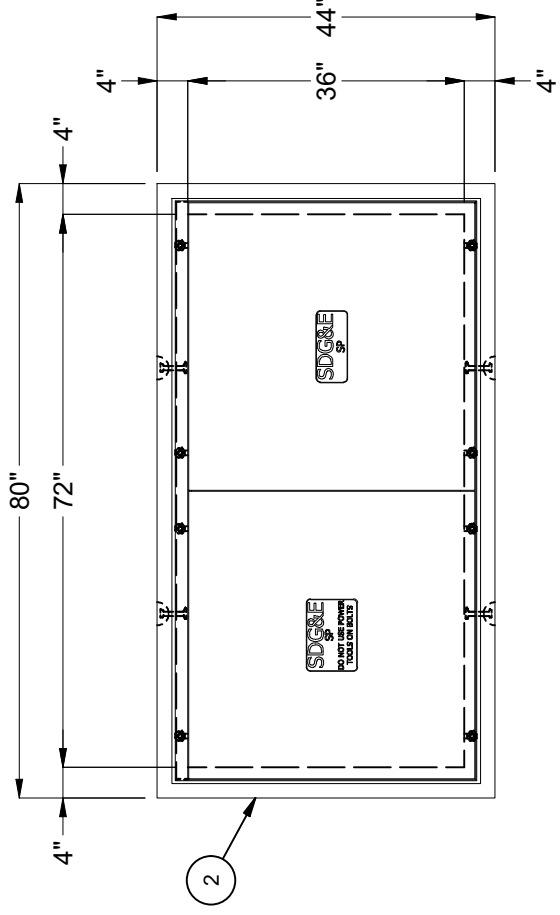


SECTION A-A

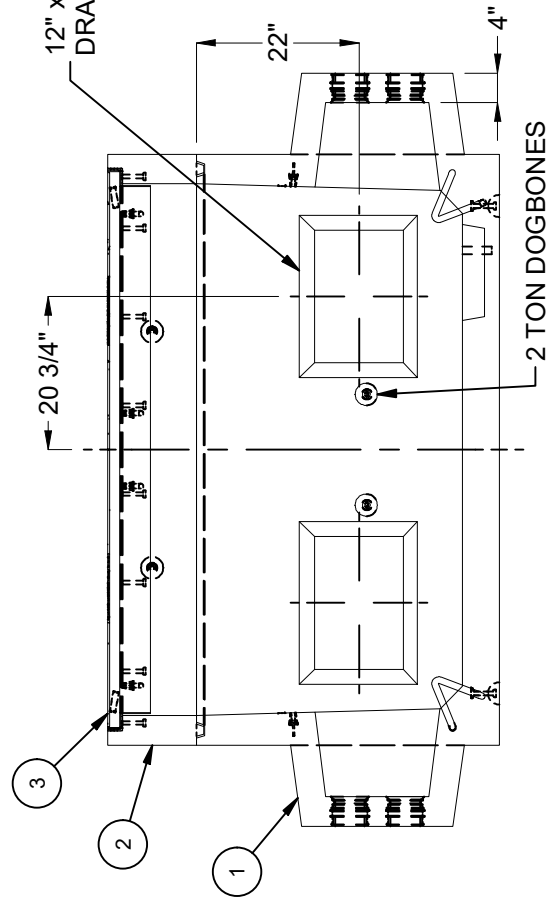


PLAN VIEW W/O TOP SECTION

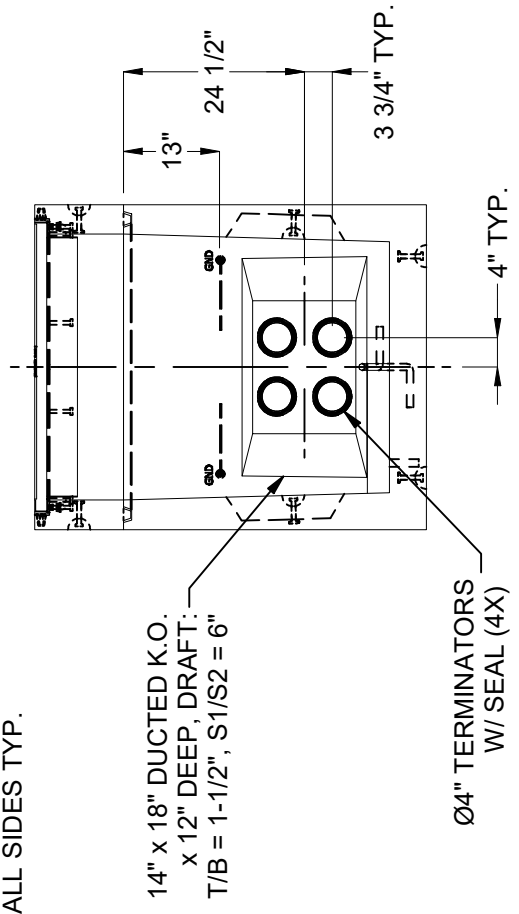
SECTION B-B



PLAN VIEW OF TOP SECTION



SECTION C-C



SECTION D-D

12" x 18" K.O. x 3-1/4" DEEP
DRAFT: 2" ALL SIDES TYP.

14" x 18" DUCTED K.O.
x 12" DEEP, DRAFT:
T/B = 1-1/2", S1/S2 = 6"

2 TON DOGBONES

Ø4" TERMINATORS
W/ SEAL (4X)

BURY DEPTH:	0.0' - 0.0' to Top
WATER LEVEL:	3.0'
DESIGN SPEC:	ACI 318, ASTM C857
AGENCY:	SDGE
APPROX. WEIGHT:	6013.41 Lbs
LOADING SPEC:	A-16 (AASHTO HS20-44)
AGENCY SPEC:	3314

JENSEN PRECAST EST. 1968
WWW.JENSENPRECAST.COM

©2023 Jensen Precast-All rights reserved. All materials appearing as Jensen Precast documents and the like are proprietary work product and are protected under U.S. copyright and other laws. Unless in conjunction with business conducted with Jensen Precast, any use of Jensen Precast work product without express, written consent is prohibited, and recipient is prohibited from distributing any and all work product to non-approved third parties under penalty of civil action.

DESCRIPTION:	Vault Layout 3672x48 Terminators Ducted SDGE 3314 Ext. Coating - IMRAE CoatMasters CM7007
PART NUMBER:	100010390
CREATED:	6/8/2020
LAYOUT REVIEW	J. Prado
DRAWN BY:	J. Prado
MODIFIED:	11/21/2023