

5'-0" x 7'-0" TRANSFORMER PAD AND VAULT x 3'-6" DEEP

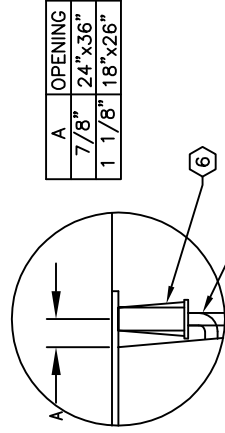
MATERIAL LIST

ITEM PART NO.	DESCRIPTION	CAGE NO./ LOCATE	WEIGHT/ MOUNT
1 SB3672-L42-N-12	42" LOWER SECTION	CG-SB3672-L42-N-12	3,275 lbs
2 PD6084-T6-12	6" TRANSFORMER PAD w/RECESS FOR COVER	CG-PD6084-T6-12	2,100 lbs
3 SC2436-PBA12	(1) PIECE PARKWAY DIAMOND PLATE COVER GALV. AFTER BEAD WELDING "LADWP-E"(1"HT.)		72 lbs
20-10-413	(4) 1/2" x 1-1/2" S.S. PENTA HEAD BOLTS		
4 55-30-52	5" DIA. DOUBLE MEMBRANE TERMINATOR	LOWER SECTION	(32) CORE MTD.
5 22-30-03	2" DIA. SCH 40 PVC CONDUIT CAPPED AT OUTSIDE WALL	LOWER SECTION	(8) CORE MTD.
6 55-10-416	1/2" DIA. P35T OPEN BTM INSERT W/ CLEAN OUT HOLE	TRANSFORMER PAD	(4) TABLE
7 55-10-830	1" COIL INSERT	LOWER SECTION	(6) CORE
8 55-20-203	2 TON 3-3/8" GALVANIZED RISS FOR HANDLING	TRANSFORMER PAD	(4) RAIL
9 55-21-056	(2) 1-5/8" x 1-5/8" GALV 12 GA. STRUT x 56" LONG	LOWER SECTION	(4) CORE & (4) SHELL
10 SC3672-PGV-12	(1) PIECE PARKWAY DIAMOND PLATE TEMPORARY COVER GALV. AFTER BEAD WELDING "LADWP-E"(1"HT.)	PAD SECTION	(2) REQ'D
20-10-413	(4) 1/2" x 1-1/2" S.S. PENTA HEAD BOLTS	OPTIONAL	

NOTES:

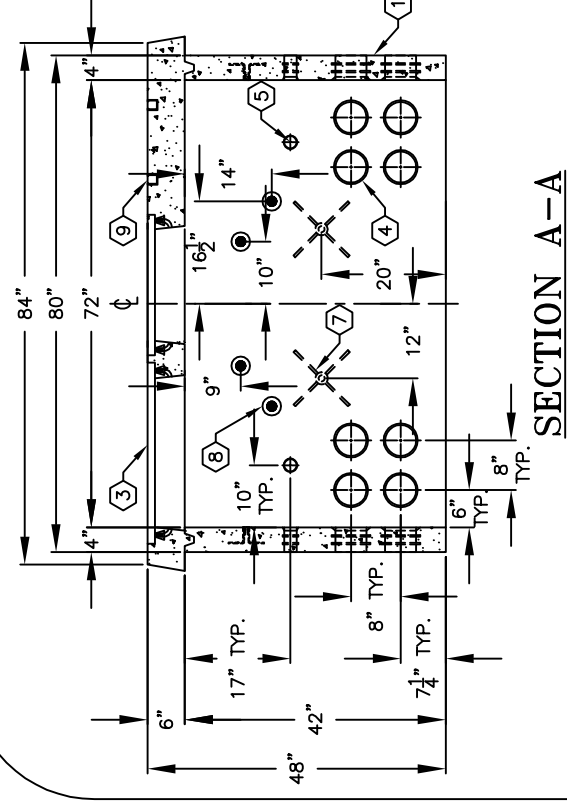
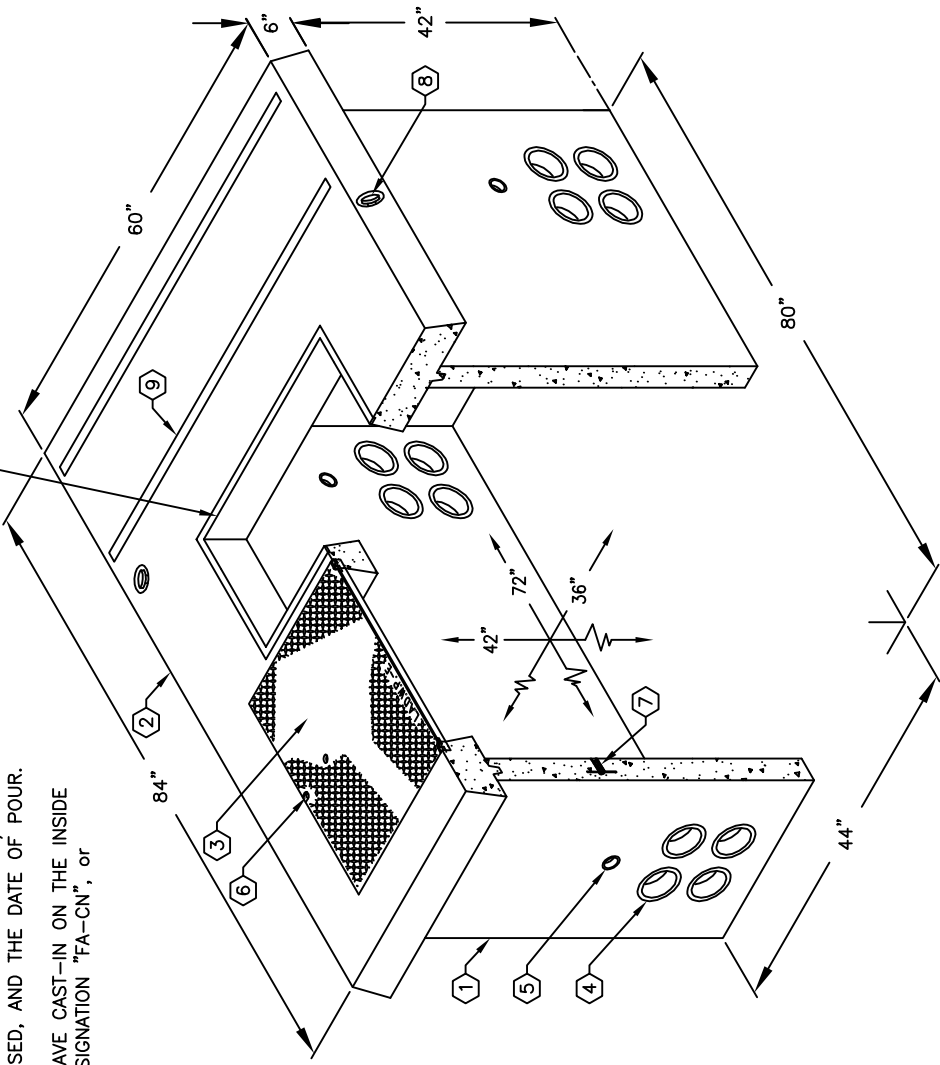
- VAULT DESIGNED IN ACCORDANCE WITH L.A.D.W.P. SPEC. P-178, ACI 318 AND ASTM - 857, AASHTO H-20-44 TRAFFIC BRIDGE LOADING USING 5,500 PSI COMPRESSIVE STRENGTH CONCRETE AT 28 DAYS AND 60,000 PSI YIELD STRENGTH ASTM A-706 STEEL REINFORCEMENT PER CALCS. # 30615.
- TRANSFORMER PAD DESIGNED FOR 100 PSF LIVE LOAD AND 850 PSF DEAD LOAD.
- VAULT TO BE PLACED ON MIN. 6" COMPACTED CRUSHER ROCK 1", GRADE A or CONCRETE AGGREGATE #3, GRADE B (SSPWC, SUBSECTIONS 200-1.2 & 200-1.4), FOR EASE OF INSTALLATION AND EVEN LOAD DISTRIBUTION.
- CONCRETE MIX USED IN POURING THIS PRODUCT SHALL USE FLY ASH AND DCI AS ADMIXTURE.
- EACH CONCRETE SECTION SHALL BE MARKED ON THE INSIDE & OUTSIDE WITH "JENSEN PRECAST", THE DESIGNATION "DWP/FA-CN" or "DWP/F-CN-SC" IF SCC MIX USED, AND THE DATE OF POUR.
- EACH CONCRETE SECTION SHALL HAVE CAST-IN ON THE INSIDE "JENSEN", THE YEAR, AND THE DESIGNATION "FA-CN", or "F-CN-SC" IF SCC MIX USED.

MINIMUM EXCAVATION SIZE:
4'-8" x 7'-8" x DEPTH REQ'D.

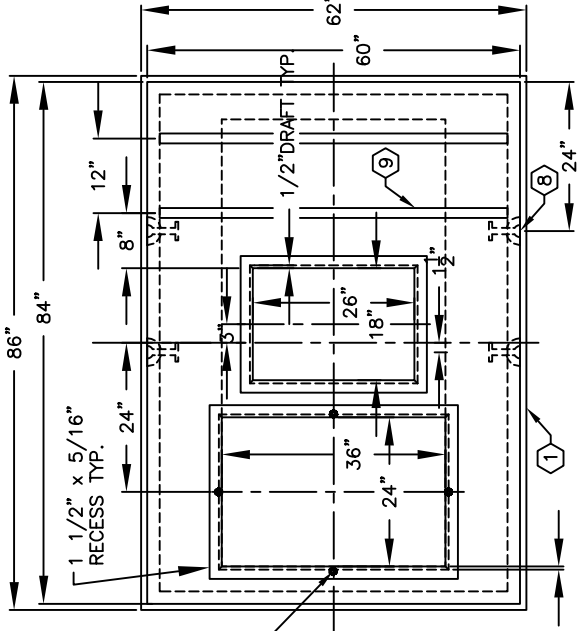


DETAIL
INSERTS AROUND
OPENINGS

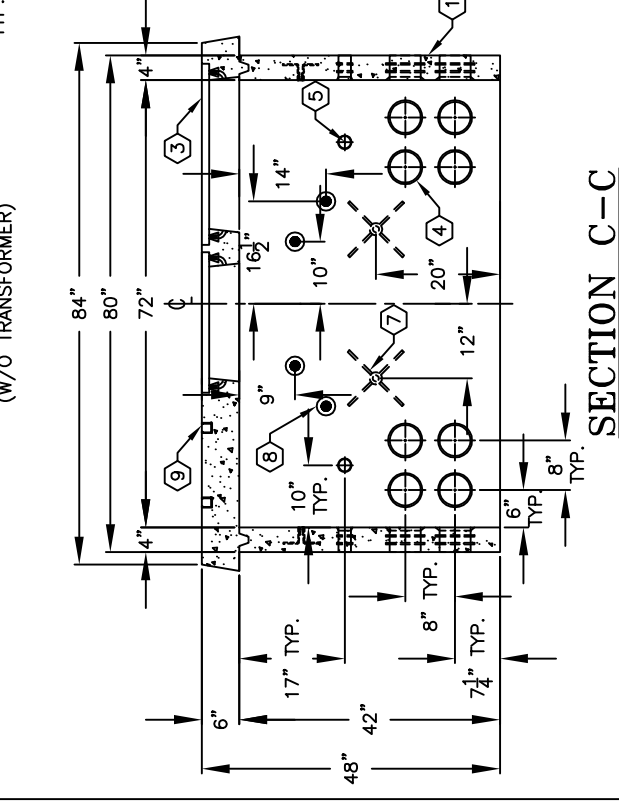
(10) OPTIONAL 3/16" DIAMOND PLATE COVER WITH NON-CORROSIVE FASTENING DEVICE ON THE CENTER LINE OF EACH SIDE. (4) 1/2" S.S. PENTA HEAD BOLTS ON THE CENTER LINE OF EACH SIDE (4 SIDES).



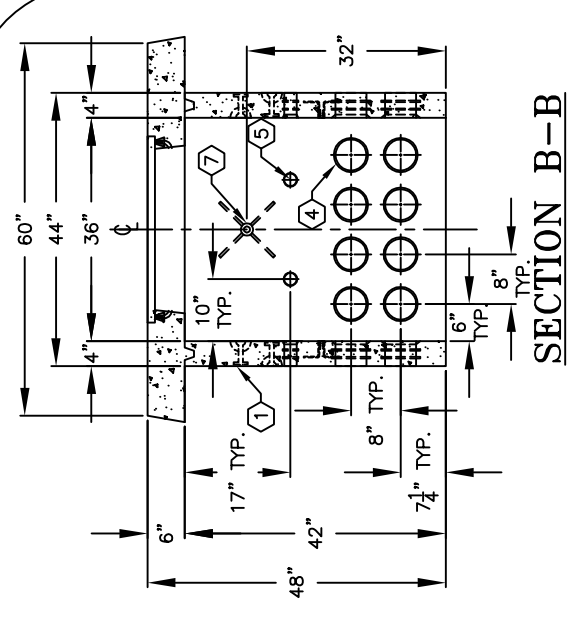
SECTION A-A



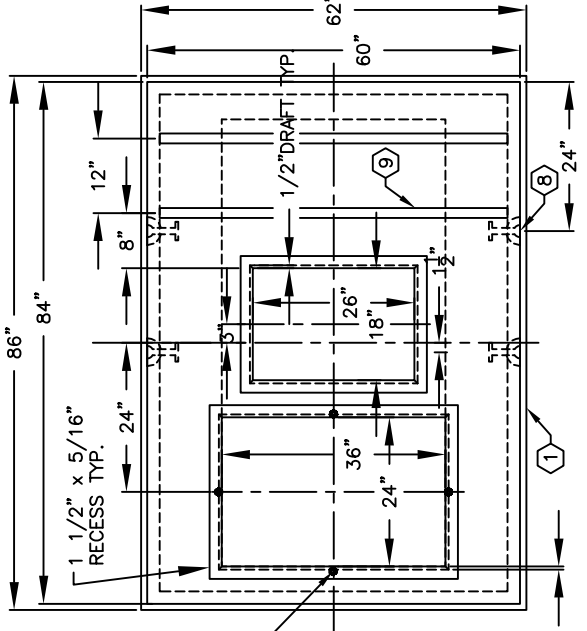
PLAN VIEW
(W/O TRANSFORMER)



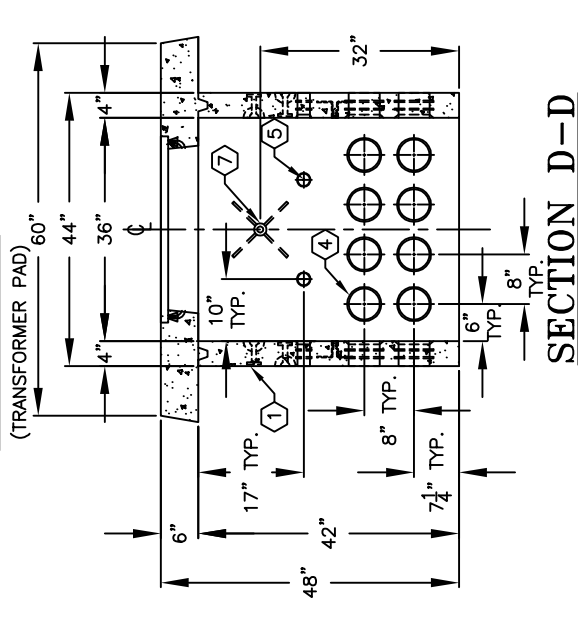
SECTION C-C



SECTION B-B



PLAN VIEW
(TRANSFORMER PAD)



SECTION D-D

DRAWN BY		CHECKED BY	
DATE	7-15-15	DATE	
#		#	
DESCRIPTION		DESCRIPTION	
REVISION		REVISION	
BY		BY	
CHK		CHK	