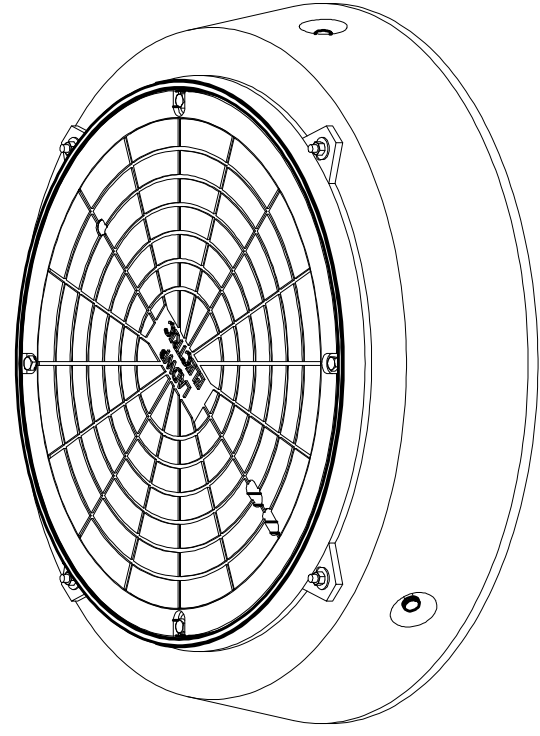


NOTES

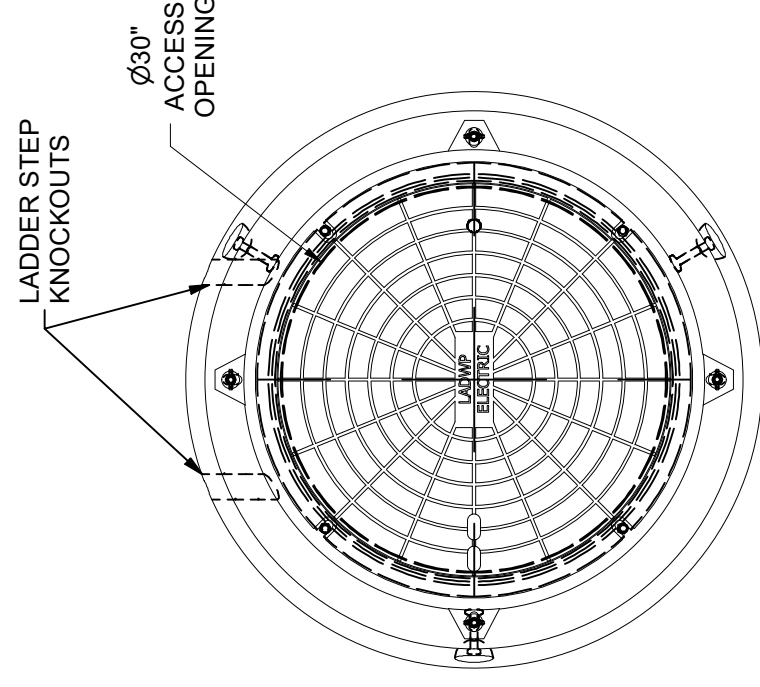
- DESIGNED IN ACCORDANCE WITH C857LOADING USING 5500 PSI COMPRESSIVE STRENGTH CONCRETE AND 60,000 PSI YIELD STRENGTH ASTM A-706 STEEL REINFORCEMENT PER CALCS. #30212.
- COVER DESIGN FOR TRAFFIC LOADING.
- ALL PARTS TO BE STENCILED: MFG DATE / JOB NUMBER / PRODUCT ID / WEIGHT.
- FOR COMPLETE DESIGN AND PRODUCT INFORMATION CONTACT JENSEN PRECAST.

BILL OF MATERIALS

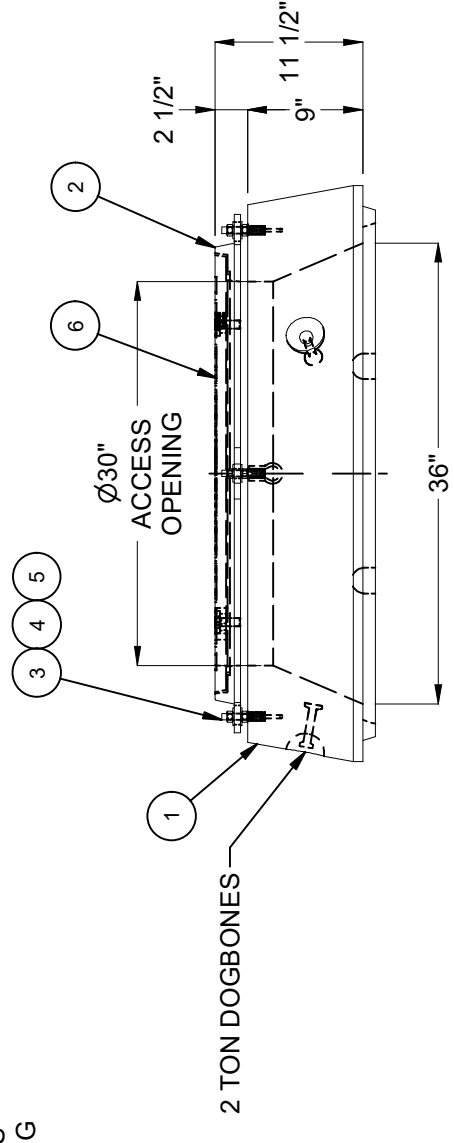
ITEM	UNIT QTY	QTY	PART NUMBER	DESCRIPTION	MASS (lb)
1	1	1	100012236	Grade Ring D3036x9 LADWP	538
2	1	1	100006934	CI RING 30DIA NF R-1581 ASTM A-48 CL35B 2-FLANGE DOWN	99
3	1	4	100008115	STUD BOLT 1/2X5 UNC LEVELING PLAIN	
4	1	8	100007007	HEX NUT 1/2-13 UNC HEAVY GALV	
5	1	8	100002657	WASHER FLAT 1/2 REGULAR TYPE A RAW	
6	1	1	100006916	CI COVER 30DIA NF 1581-0049 ASTM A48 CL35B PH B/D LADWP ELECTRIC	224
7	1	4	100022412	PENTA BOLT 5/8-11 UNC 1-5/8 HD 304SS	
8	1	1	100008122	PLUG PICKHOLE NEOPRENE RUBBER CI COVER ED/LA	



ISO VIEW



PLAN VIEW



SIDE ELEVATION

LIFTING NOTES

FIELD INSTALLATION: PLANT DEMOLDING: MINIMUM HANDLING CONCRETE STRENGTH F<sub>c</sub> = 5500 PSI RIGGING EQUALIZER REQUIRED TO EQUALIZE LOAD TO 3 LIFTING POINTS WITH A SLING ANGLE BETWEEN 60° AND 90°

BURY DEPTH:	0.0' - 0.0' to Top
WATER LEVEL:	3.0'
DESIGN SPEC:	ASTM C857
AGENCY:	LADWP
APPROX. WEIGHT:	862.92 Lbs
LOADING SPEC:	A-16 (AASHTO HS20-44)
AGENCY SPEC:	



WWW.JENSENPRECAST.COM

©2024 Jensen Precast-All rights reserved. All materials appearing as Jensen Precast documents and the like are proprietary work product and are protected under U.S. copyright and other laws. Unless in conjunction with business conducted with Jensen Precast, any use of Jensen Precast work product without express, written consent is prohibited, and recipient is prohibited from distributing any and all work product to non-approved third parties under penalty of civil action.

REVISION HISTORY	
REV	DESCRIPTION
B-1	INITIAL RELEASE INVENTOR
	DATE
	APPROVED

DESCRIPTION: 36" DIA MN 9" CONE W/ RING 30" R-1581 LADWP

PART NUMBER: 100010398 LAYOUT REVIEW

CREATED: 3/14/2024 DRAWN BY: J. Prado

MODIFIED: 3/18/2024

REV: B-1

SHEET: 1 OF 1