

3'-6" PARKWAY BURD TRANSFORMER ENCLOSURE x 6'-7" DEEP

NOTES:

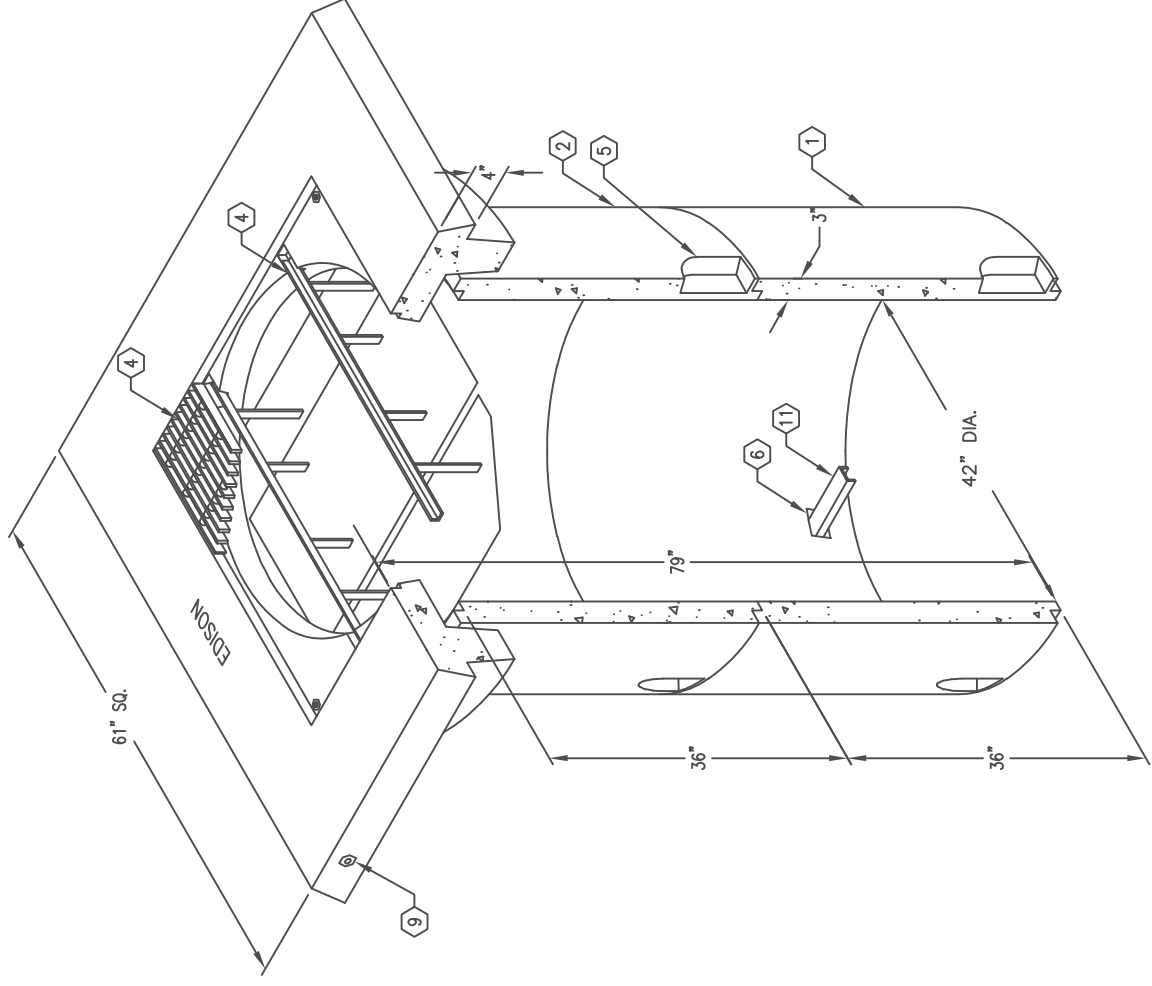
■ CONCRETE DESIGNED IN ACCORDANCE WITH AASHTO H-20-44 TRAFFIC BRIDGE LOADING USING 5,500 PSI CONCRETE AND GRADE 60 ASTM A-706 STEEL REINFORCEMENT PER CALC. #31641.

■ TO BE PLACED ON A LEVEL MIN. 6" BASE OF CRUSHER RUN FOR EVEN LOAD DISTRIBUTION AND EASE OF INSTALLATION.

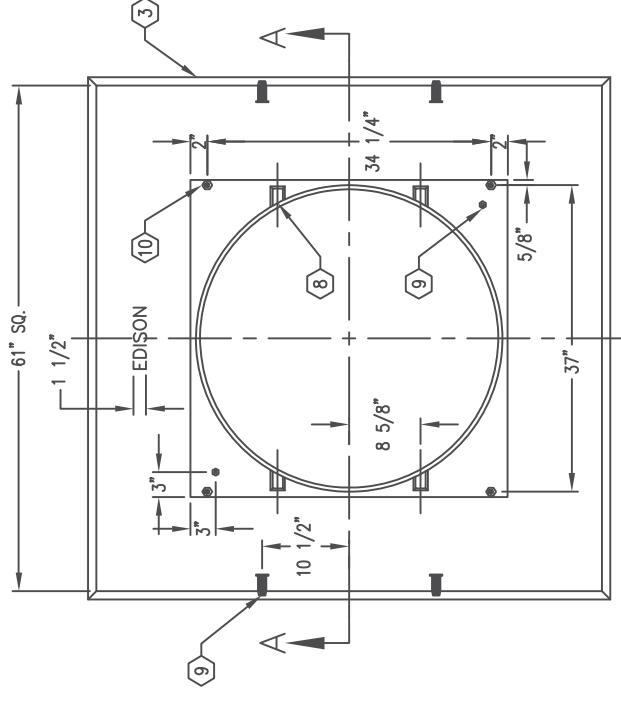
THE FOLLOWING MATERIAL TO BE SHIPPED WITH EACH VAULT:

- (a) 3/4" x 4" BOLT COIL (4 REQ'D)
- (b) 3/4" HEX COIL NUT PYD. (8 REQ'D)
- (c) 3/4" WASHER CUT PLATED. (4 REQ'D)

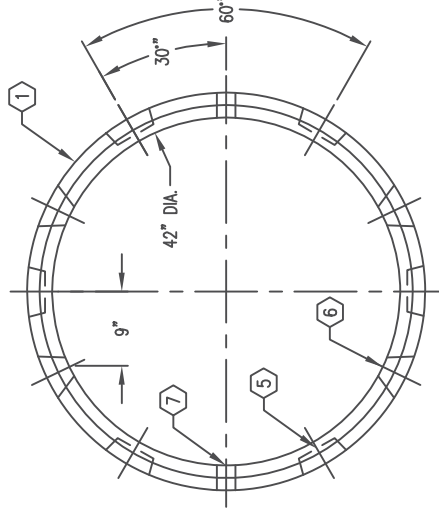
1. BTV42-136-11, 36" INTERMEDIATE SECTION (07-2068), WT. 1315 Lbs.
2. BTV42-136-16, 36" INTERMEDIATE SECTION (07-2068), WT. 1320 Lbs.
3. BTV42-16-11, 4" TOP SECTION (CG-BTV42-16-34), WT. 1509 Lbs.
4. 10-40-40, PARKWAY COVER GRATE ASSEMBLY W/SBF42-11 TAMPER BAFFLE VENT, (4) 3/8"-13NC x 1 1/2" STAINLESS STEEL PENTAHEAD BOLTS, GALVANIZED ASS'Y. WT. 129 Lbs.
5. 5" x 6" K.O. x 2" DEEP. (5000-417), DRAFT AS FOLLOWS: T=1 3/8", S=1 3/8", S2=1 3/8", B=0". LOCATE AS FOLLOWS: (6) IN EACH INT. SECT., SHELL MTD.
6. 2 1/2" x 2 1/2" THRU HOLES TO ACCOMMODATE SWITCH SUPPORT CHANNELS (5000-418). DRAFT AS FOLLOWS: T=1 1/2", S=1 1/2", S2=1 1/2", B=1 1/2". LOCATE (4) SHELL MTD. INT. I36-3
7. 2 1/4" DIA K.O. x 2 1/4" DEEP (5000-419). DRAFT AS FOLLOWS: 1/4" LOCATE (2) SHELL MTD. IN EACH INT. SECT.
8. 1 1/4" WIDE x 1" DEEP GROOVE FOR BAFFLE, LOCATE (4) TABLE MTD. IN TOP SECT.
9. 1/2" LOOP INSERT, LOCATE (2) TABLE MTD. AND (4) RAIL MTD. IN TOP SECT.
10. 3/8" P-25-T INSERT, LOCATE (4) TABLE MTD. IN TOP SECT.
11. 1" x 2" x 3/16" SWITCH SUPPORT CHANNEL x 45" LONG (GALV) (SCB45) (2) REQ. PER ASS'Y.
12. 3/4" x 5" COIL TH'D. BOLT & NUT FOR GRADE ADJUSTMENT (4) REQ.
13. 38" x 38" SQUARE OF WEATHER RESISTANT CARDBOARD x 3/16" THICK, PAINTED BRIGHT ORANGE AND SECURED TO GRATE TO PREVENT DEBRIS FROM ENTERING ENCLOSURE AFTER INSTALLATION.



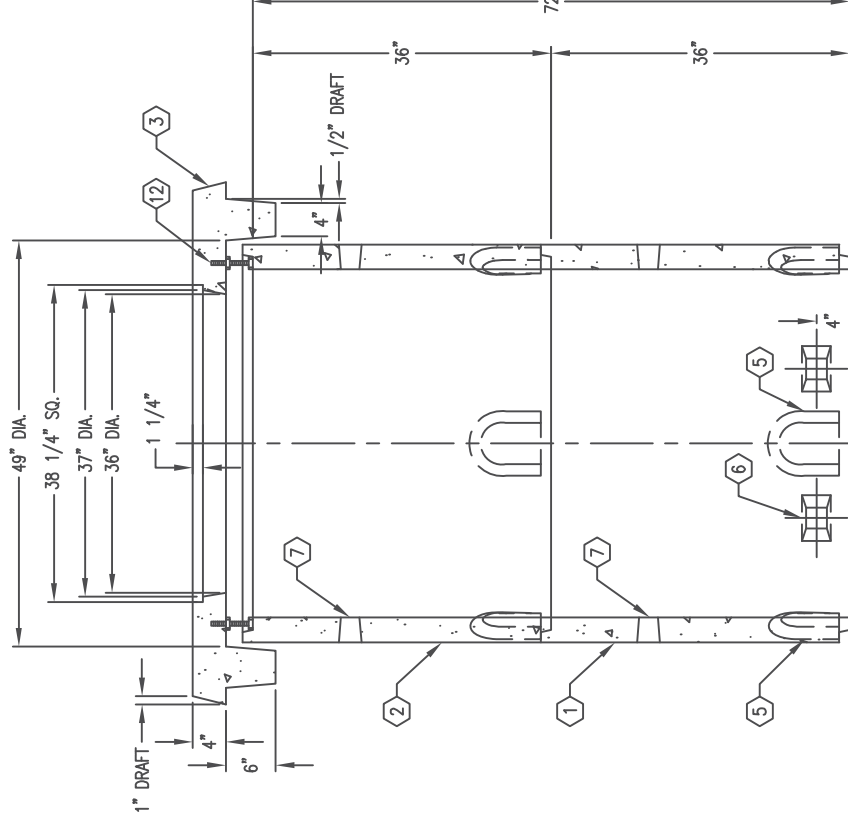
MINIMUM EXCAVATION SIZE:
61" DIA. x DEPTH REQ'D. PLUS
ALLOWANCE FOR ROOF SECTION



PLAN VIEW OF TOP CAP



PLAN VIEW OF INTERMEDIATE



SECTION A-A

#	DATE	DESCRIPTION	BY
A	11-18-14	SUPPORT CHANNEL LENGTH TO 45" FROM 42"	MPM
B	04-27-17	REVISED PART NO FOR ITEM 1 & 2	SMC