

4'-0" x 4'-0" FIBER OPTIC HANDHOLE x 4'-0" DEEP

MATERIAL LIST- K44-FOH48-14

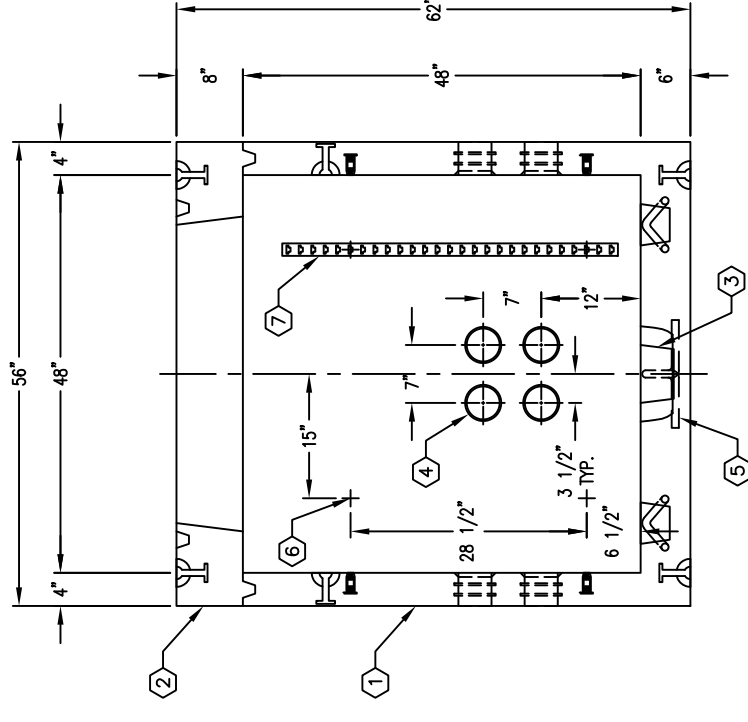
ITEM PART NO.	DESCRIPTION	CAGE NO./ LOCATE	WEIGHT/ MOUNT
1	UV44-B48-14	CG-44-B48-14	5,100 lbs
2	UV44-T-14	CG-44-T-14	1,500 lbs
3	KNOCK OUT	BOTTOM SECTION	(1) CORE
4	6" x 7" DIA. SUMP x 4" DEEP	BOTTOM SECTION	(16) CORE
5	4" DIA. BLK TERMINATOR 4.35" x 4.5" I.D. STEPPED W/WIPER	BOTTOM SECTION	(4) CORE
6	55-35-03	BOTTOM SECTION	(16) CORE
7	55-10-424	BOTTOM SECTION	(8) CORE
8	18-10-27	BOTTOM SECTION	(4) CORE/SURFACE
	27 HOLE CABLE RACK FLUSH MOUNT	BOTTOM SECTION	(4) SURFACE
	2 TON x 3 3/8" GALV. RISS FOR HANDLING	TOP SLAB	

NOTES:

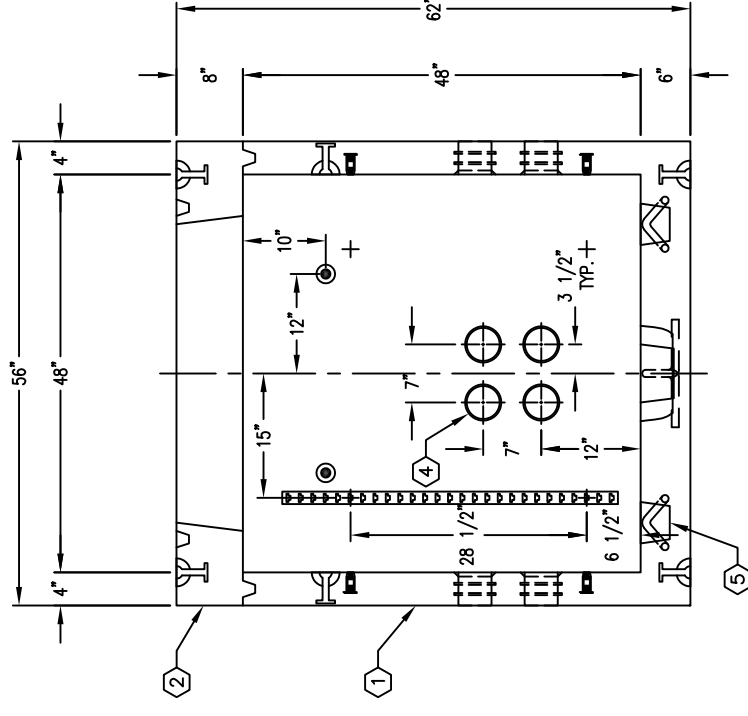
- MANHOLE DESIGNED IN ACCORDANCE WITH AASHTO H20-44 TRAFFIC BRIDGE LOADING USING 5,500 PSI COMPRESSIVE STRENGTH CONCRETE AND ASTM A-706, 60 KSI YIELD STRENGTH STEEL REINFORCEMENT. STRUCTURE IS DESIGNED PER CALCS. #33835.
- LIMITS OF COVER OVER ROOF SECTION IS 10" TO 5'-0".
- MANHOLE IS TO BE PLACED ON A MINIMUM 6" BASE OF CRUSHER RUN FOR EASE OF INSTALLATION AND EVEN LOAD DISTRIBUTION.
- SEE GRADE RING & COVER DWG GRC-OPT-14.
- ALL WALLS AND CEILING SHALL BE PAINTED WHITE.
- EACH CONCRETE SECTION SHALL BE MARKED ON THE INSIDE & OUTSIDE WITH "JENSEN PRECAST-FONTANA", "JENSEN PART#", "AT&T OIN#" AND THE DATE OF POUR.
- EACH CONCRETE SECTION SHALL HAVE CAST-IN ON THE INSIDE "JENSEN", AND THE YEAR.

ORDERING INFORMATION
K44-FOH48-14 FOR ASSEMBLY AS SHOWN.
PER AT&T SPEC.
TOTAL WEIGHT OF ASSEMBLY IS 6,600 lbs.

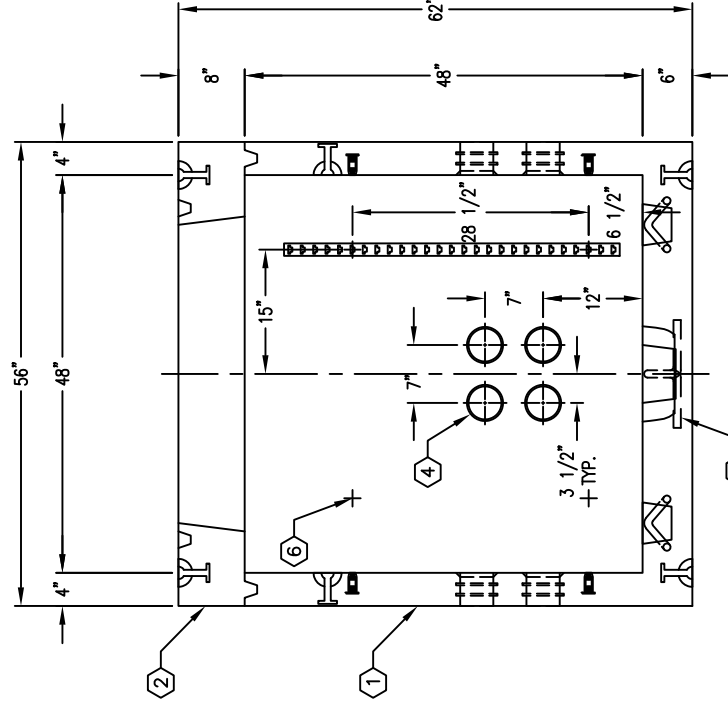
DESCRIPTION	AT&T OIN#	JENSEN P/N#
4x4x4 TRAFFIC-FIBER OPTIC	100070131	K44-FOH48-14



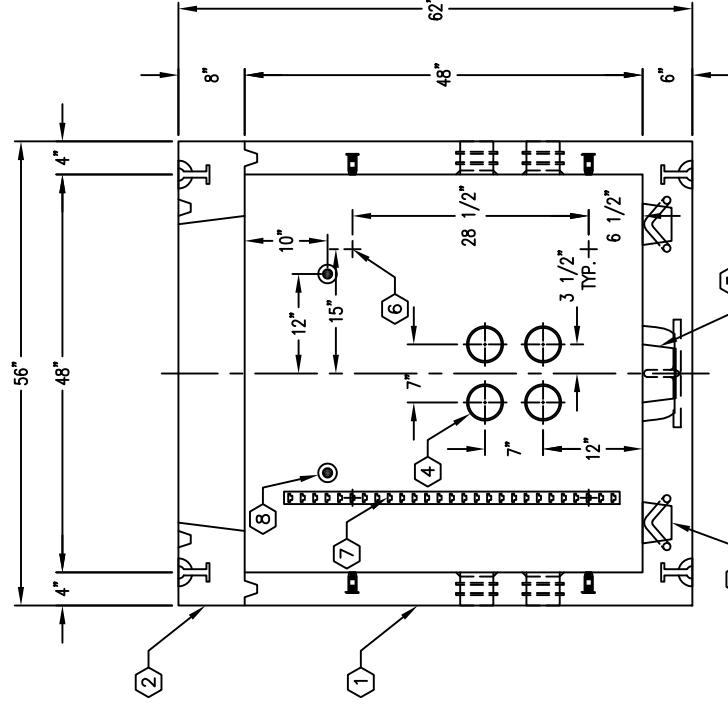
SECTION B-B



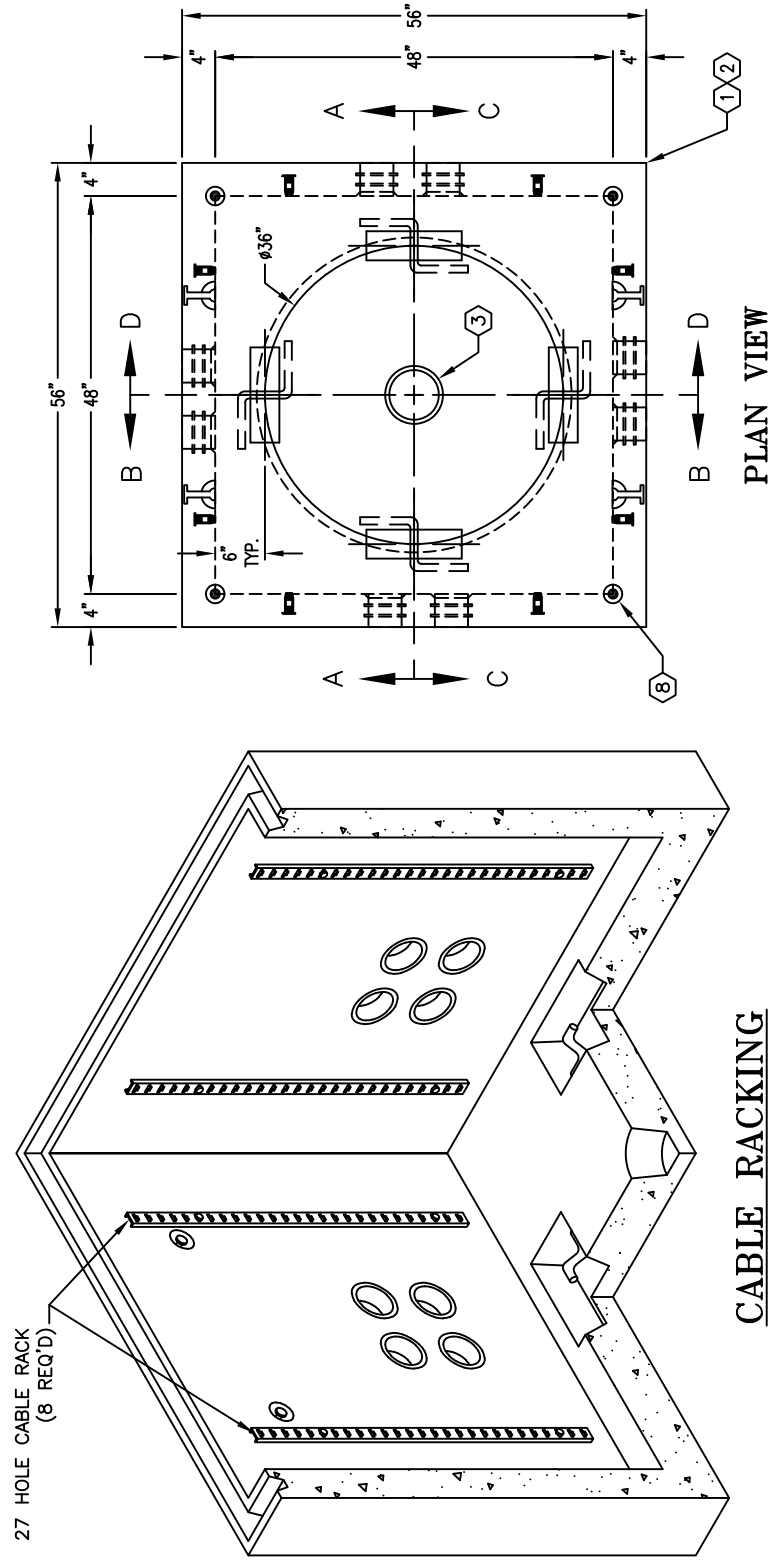
SECTION A-A



SECTION D-D



SECTION C-C



CABLE RACKING

PLAN VIEW

DATE	DRAWN BY	CHECKED BY		
09-19-14	JAMER P.			
#	DATE	DESCRIPTION	BY	CHK
A	10-02-14	REPLACED PDF# TO ON#	J	