

4'-0" x 4'-0" PARKWAY HINGED PULL BOX 3'-6" DEEP

MATERIAL LIST K44-FP42-05PGSA

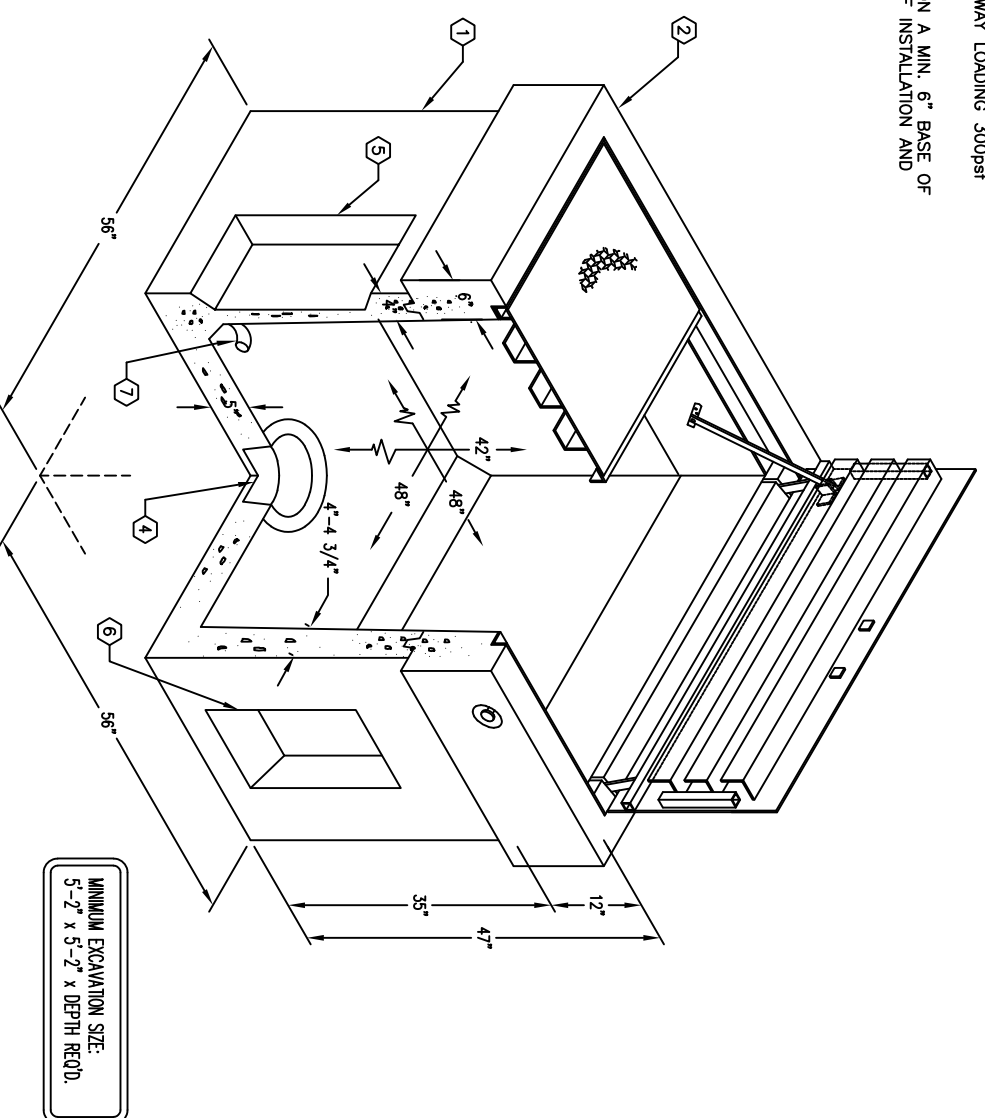
ITEM	PART NO.	DESCRIPTION	REBAR NO./LOCATE	MOUNT/WEIGHT
1	PB44F-B30-23	30" BOTTOM SECTION	CG-44F-B30-23	3,000 lbs
2	PB44X-T12H-PG	12" TOP SECTION W/ CAST-IN GALV. HINGED FRAME & COVER (10-30-44-PHG)	CG-44X-T12H	1,400 lbs
3	10-30-44-PHG	(2)PC GALV. PARKWAY HINGED FRAME & COVER W/ LIFT HANDLE		525 lbs
4	KNOCK OUT	8" x 9" DIAMETER SUMP x 4" DEEP RECESSED FOR 10" GRATE	BOTTOM SECTION	(1) CORE
5	KNOCK OUT	20" x 20" K.O. x 3" DEEP. DRAFT 2" ALL SIDES	BOTTOM SECTION	(2) SHELL
6	KNOCK OUT	8" x 16" K.O. x 3" DEEP. DRAFT 2" ALL SIDES	BOTTOM SECTION	(4) SHELL
7	55-35-06	7/8" DIA. X 6" GALV PULL IRON	BOTTOM SECTION	(2) CORE
8	55-10-424	1/2" PLASTIC INSERT	BOTTOM SECTION	(8) CORE
9	55-20-203	2 TON GALV. RISS x 3 3/8" ANCHOR	BOTTOM SECTION TOP SECTION	(4) CORE (4) SHELL
10	55-10-830	1"x3 1/2" COIL INSERT GALV	BOTTOM SECTION	(2) SHELL
11	KNOCK OUT	1" DIA. GROUND ROD KNOCK OUT	BOTTOM SECTION	(2) SURFACE

ORDERING INFORMATION:

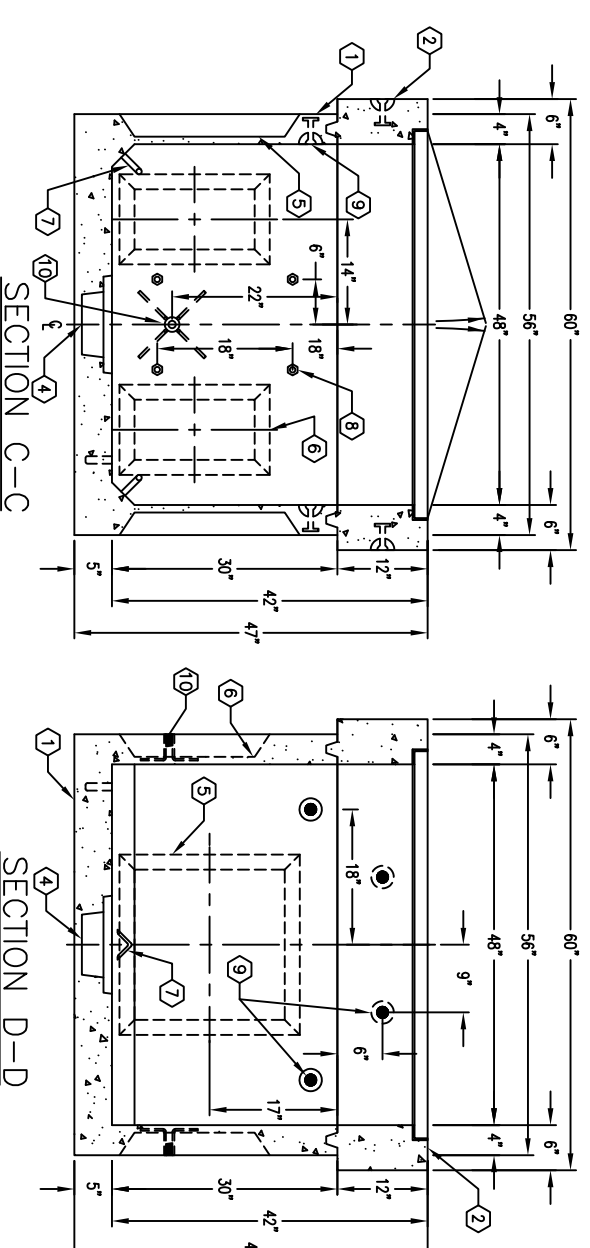
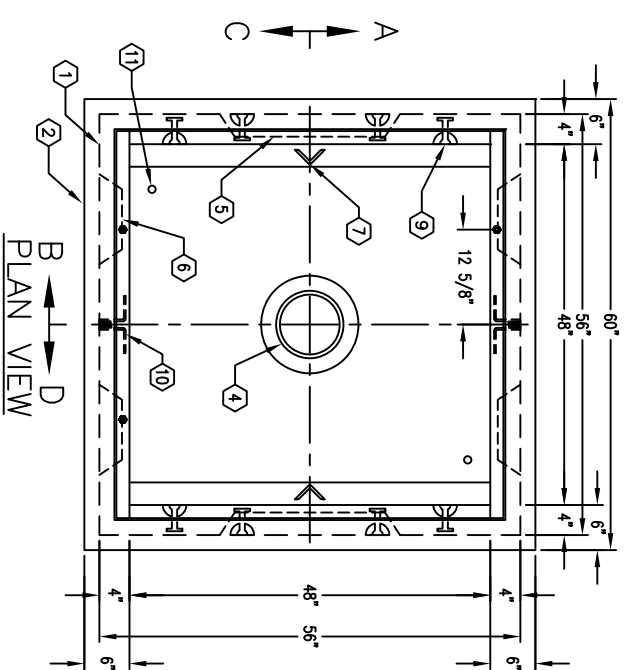
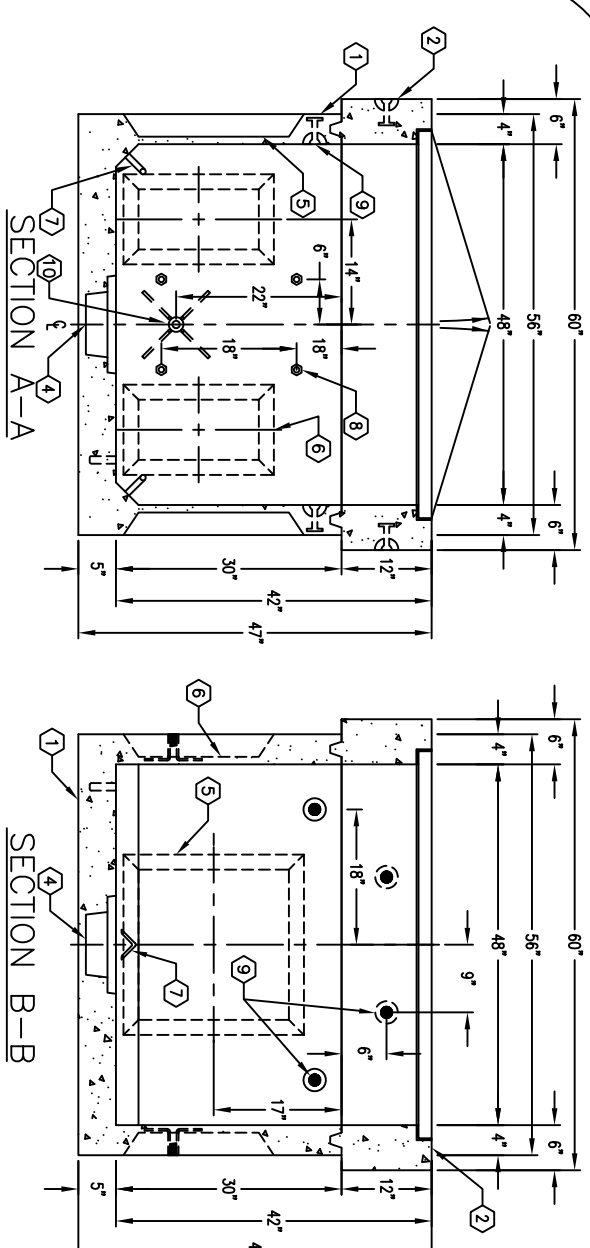
K44-FP42-05PGSA FOR ASSEMBLY AS SHOWN.
TOTAL WEIGHT OF ASSEMBLY IS 4,429 lbs.

NOTES:

- PULL BOX DESIGNED IN ACCORDANCE WITH AASHTO H-20-44 TRAFFIC BRIDGE LOADING USING 5,500 PSI [37.92MPa] COMPRESSIVE STRENGTH CONCRETE AND 80,000 PSI [413.2MPa] YIELD STRENGTH ASTM A-706 STEEL REINFORCEMENT PER CALC. #30649.
- COVER DESIGNED FOR PARKWAY LOADING 300psf
- PULL BOX TO BE PLACED ON A MIN. 6" BASE OF CRUSHER RUN FOR EASE OF INSTALLATION AND EVEN LOAD DISTRIBUTION.



K44-FP42-05PGSA



K44-FP42-05PGSA

#	DATE	DESCRIPTION	BY