

# 4'-0" x 4'-0" TRAFFIC VAULT NECK WITH CONCRETE COVER

## MATERIAL LIST- K44-VN12-12T

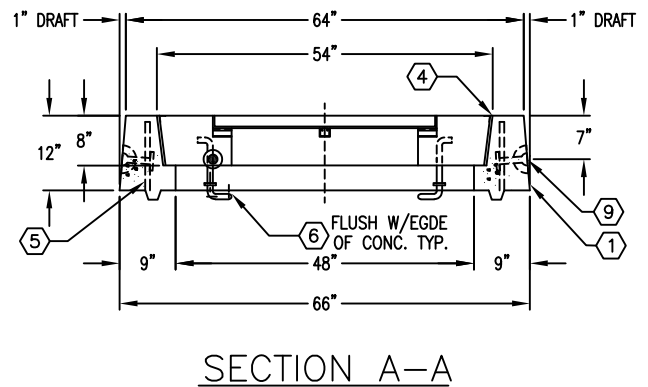
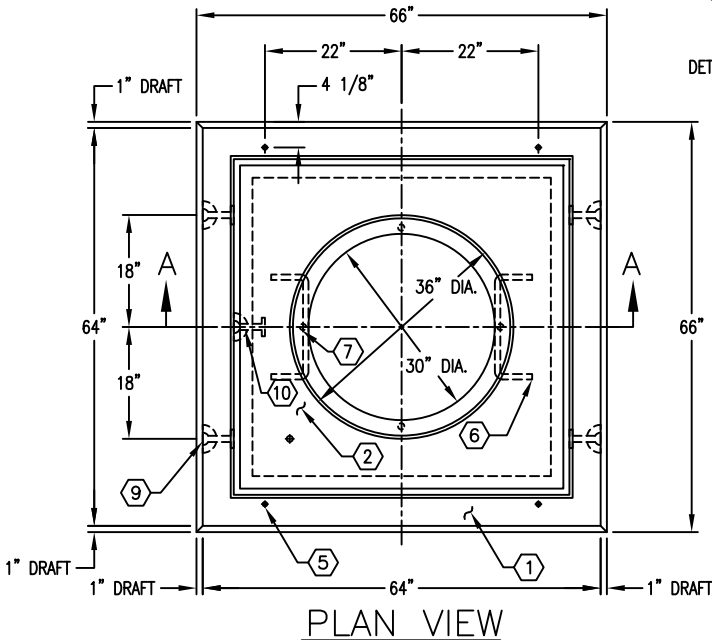
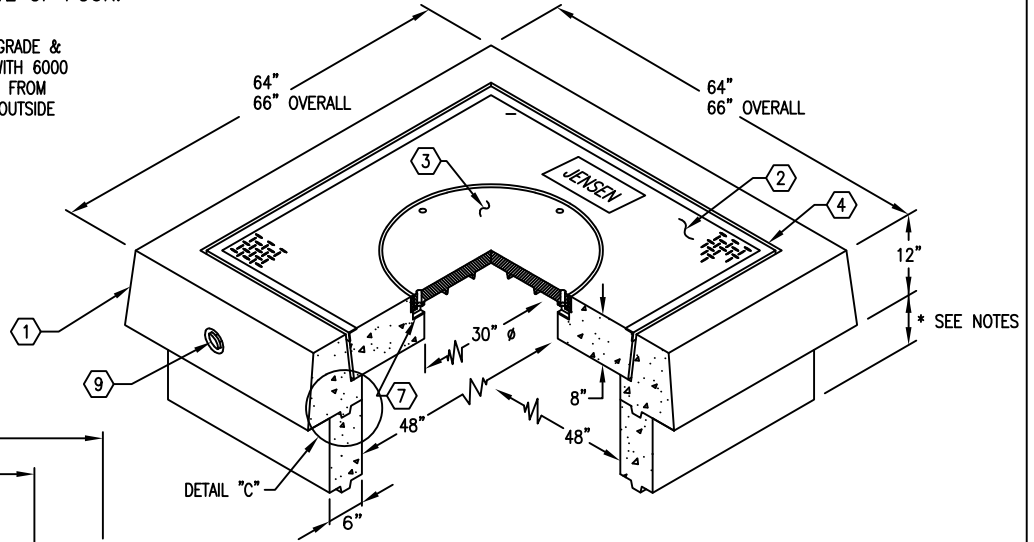
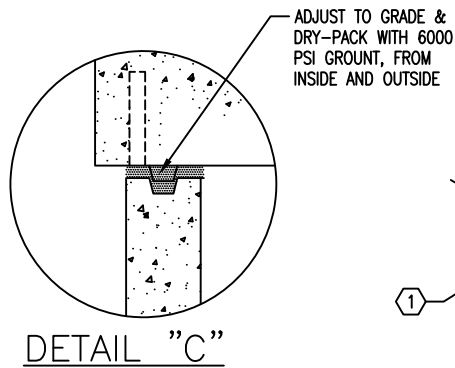
ITEM	PART NO.	DESCRIPTION	CAGE NO./ LOCATE	WEIGHT/ MOUNT
1	VN44-N12-11	12" NECK SECTION WITH TONGUE	CG-VN44-N12(372)	1,613 lbs
2	VN44-T8-11 05-03-01	8" COVER SLAB WITH CAST-IN RING A1106 SURFACE TO BE DIAMOND PLATE IMPRINT	CG-VN44-T8-12(243)	1,534 lbs
3	04-30-09	30" DIA. ALHAMBRA FOUNDRY COVER MARKED "EDISON"		209 lbs
4	25-20-08	3/8"x 8" EXPANDED FELT	NECK SECTION	(20) PERIMETER
5	HOLE	3/4" COIL THREADED ADJUSTING BOLT HOLE x 11" LONG	NECK SECTION	(4) TONGUE FORMER
6	55-35-20	EDISON LADDER RUNG STEP	COVER SECTION	(2) TABLE
7	HOLE	CLEAN OUT HOLE	COVER SECTION	(4) RING
8				
9	55-20-405	4 TON x 4-3/4" GALVANIZED RISS HANDLING	NECK SECTION	(4) SHELL
10				

**NOTES:**

- VAULT NECK & COVER DESIGNED PER C-857 (AASHTO H-20-44) TRAFFIC LOADING, USING 5,500 P.S.I. CONCRETE AND ASTM A-706 GR.60 STEEL REINFORCEMENT PER CALCS. # 30781.
- COVER DESIGNED FOR AASHTO H-20-44 TRAFFIC LOADING.
- CONCRETE MIX USED IN POURING THIS PRODUCT SHALL USE FLY-ASH AS AN ADMIXTURE.
- EACH CONCRETE SECTION SHALL BE MARKED ON THE INSIDE & OUTSIDE WITH "JENSEN PRECAST", AND THE DATE OF POUR.

**\*EXTENSION ARE AVAILABLE IN THE FOLLOWING SIZES:**

- A. VN44-R6, 6" EXTENSION SECTION (R-VN44-R6). WT. 771#.
- B. VN44-R12, 12" EXTENSION SECTION (R-VN44-R12). WT. 1,548#.



AUTOCAD REL. 14

#	DATE	DESCRIPTION	BY
A	08-11-15	ADDED TONGUE DETAIL	DF

K44-VN12-11T  
PER EDISON SPEC'S 10-23-93