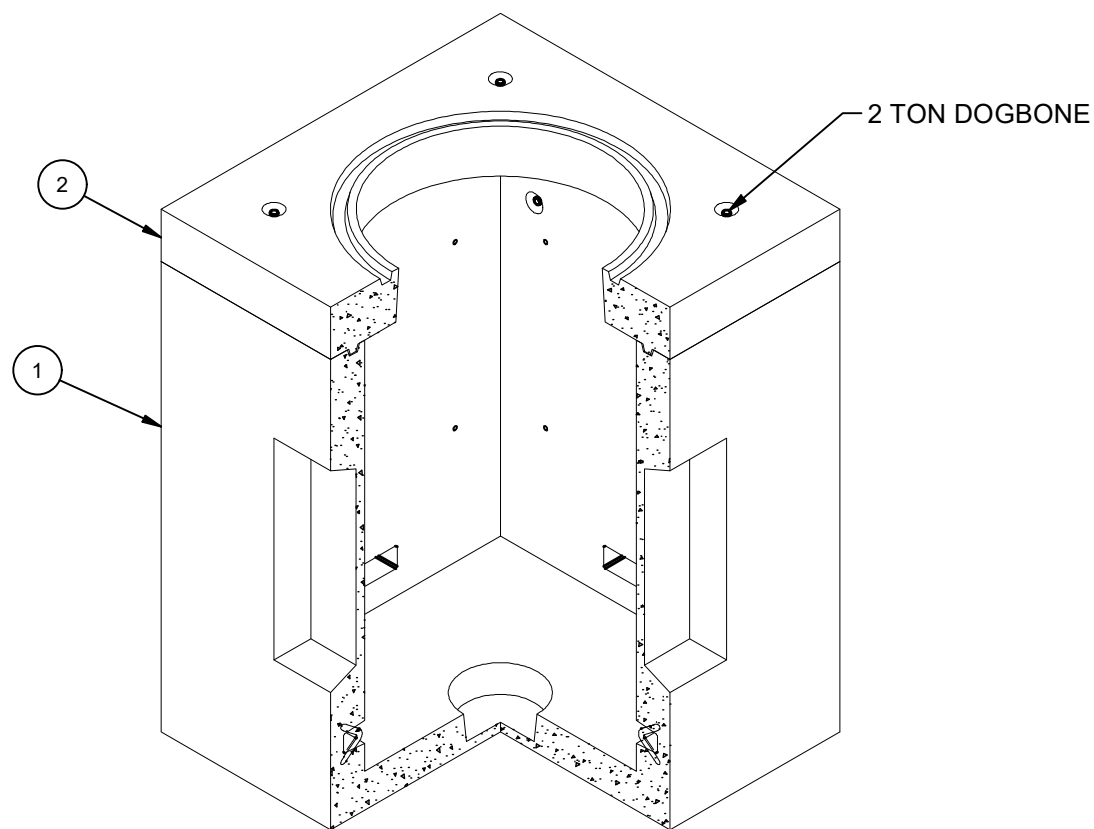


DESIGN NOTES

- THIS PRODUCT MUST ONLY BE PRODUCED IN A JENSEN INFRASTRUCTURE FACILITY.
- ALL CONCRETE MUST HAVE A 28 DAY COMPRESSIVE STRENGTH OF 5500 PSI.
- REINFORCING STEEL MUST COMPLY WITH ASTM A615 GRADE 60 OR ASTM A706 GRADE 60.
- SEE TITLE BLOCK FOR BURY DEPTH RANGE, WATER TABLE LEVEL, AND DESIGN AND LOADING SPECIFICATIONS.
- SOIL UNIT WEIGHT – 120 lbs/cu.ft.
- EQUIVALENT LATERAL EARTH PRESSURE DRY: 36 lbs/cu.ft.
- EQUIVALENT LATERAL EARTH PRESSURE WET: 80 lbs/cu.ft.
- UNLESS OTHERWISE NOTED OR SPECIFIED THE STRUCTURE MUST BE INSTALLED PER "JENSEN INFRASTRUCTURE UNDERGROUND UTILITY STRUCTURES INSTALLATION PROCEDURE" FOUND AT <https://www.jensenprecast.com/Utility-Structures-Installation-Instructions-d2595.pdf>
- DESIGNED PER CALCS. #32115.
- ALL PARTS TO BE STENCILED: MFG DATE / PRODUCT ID / WEIGHT.
- COVER DESIGN FOR TRAFFIC LOADING.
- MINIMUM EXCAVATION SIZE: 6'-0" X 6'-0" X DEPTH REQ'D.
- VAULT TO BE PLACED ON A MIN. 6" BASE OF CRUSHER RUN FOR EASE OF INSTALLATION AND EVEN LOAD DISTRIBUTION.

BILL OF MATERIALS

ITEM	UNIT QTY	QTY	PART NUMBER	DESCRIPTION	MASS (lb)
1	1	1	100009190	Vault 4848x66 Rect. Bottom Section Knockout Sump	8284
2	1	1	100012357	Vault 4848x8 Slab Top 36"C Edison Fiber Optic	1777
3	1.000 ul	1.000 ul	100005749	SEALANT JOINT BUTYL RUBBER ASTM C-990 AND M198 CS-102 1IN EQUIV X14.5FT PER BOX 118FT	



ISOMETRIC VIEW

LIFTING NOTES

- FIELD INSTALLATION: PLANT DEMOLDING: MINIMUM HANDLING CONCRETE STRENGTH F'c = 5500 PSI RIGGING EQUALIZER REQUIRED TO EQUALIZE LOAD TO 4 LIFTING POINTS WITH A SLING ANGLE BETWEEN 60° AND 90°

BURY DEPTH:	0.0' - 4.0' to Top		
WATER LEVEL:	3.0'	APPROX. WEIGHT:	10060.83 Lbs
DESIGN SPEC:	ACI 318,ASTM C857	LOADING SPEC:	A-16 (AASHTO HS20-44)
AGENCY:	AGENCY SPEC:		

WWW.JENSENPRECAST.COM

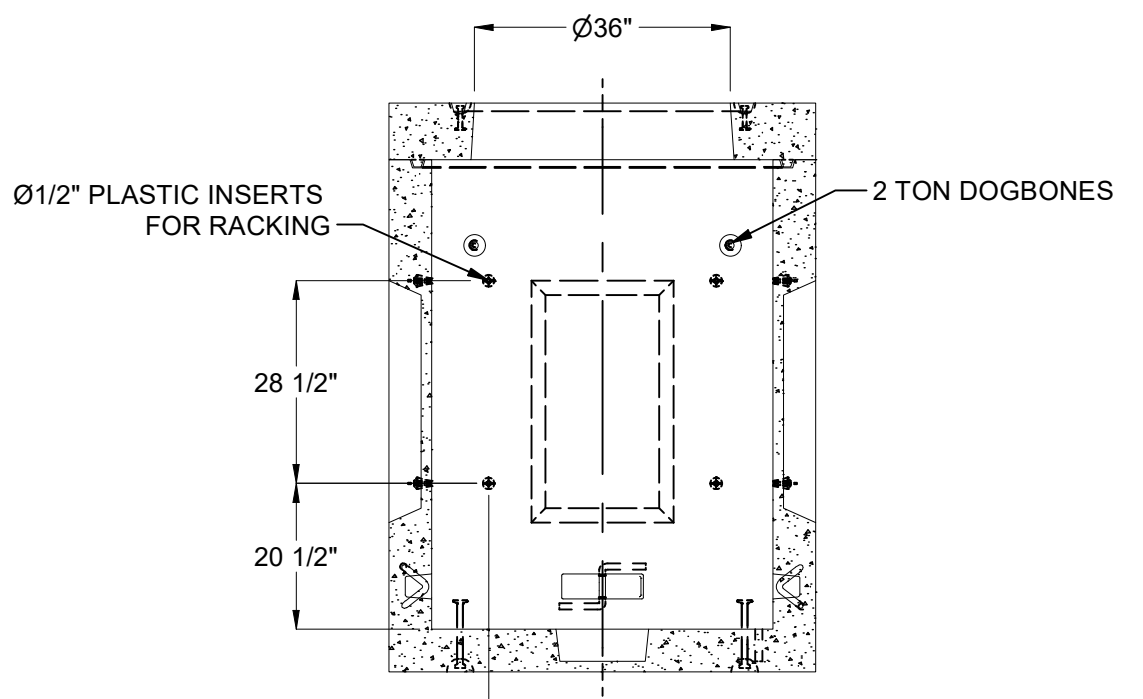
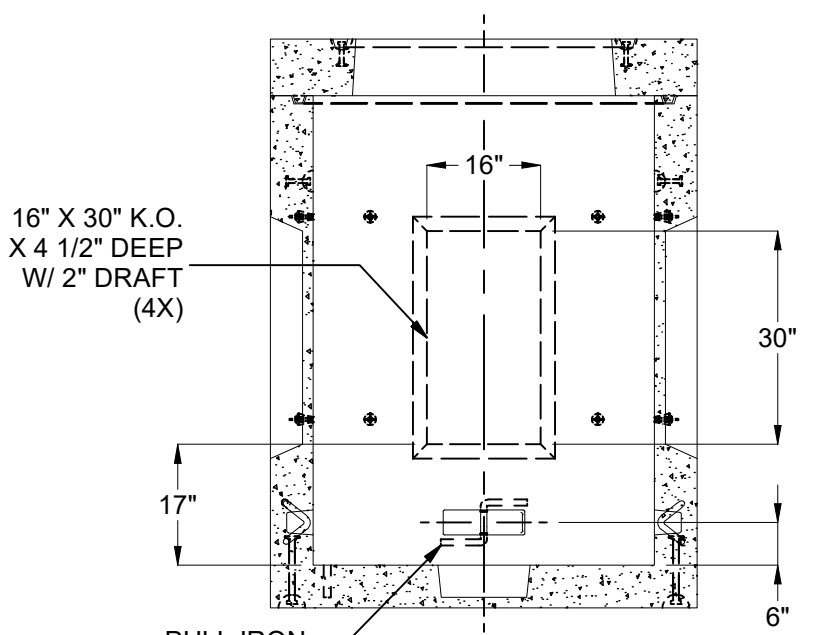
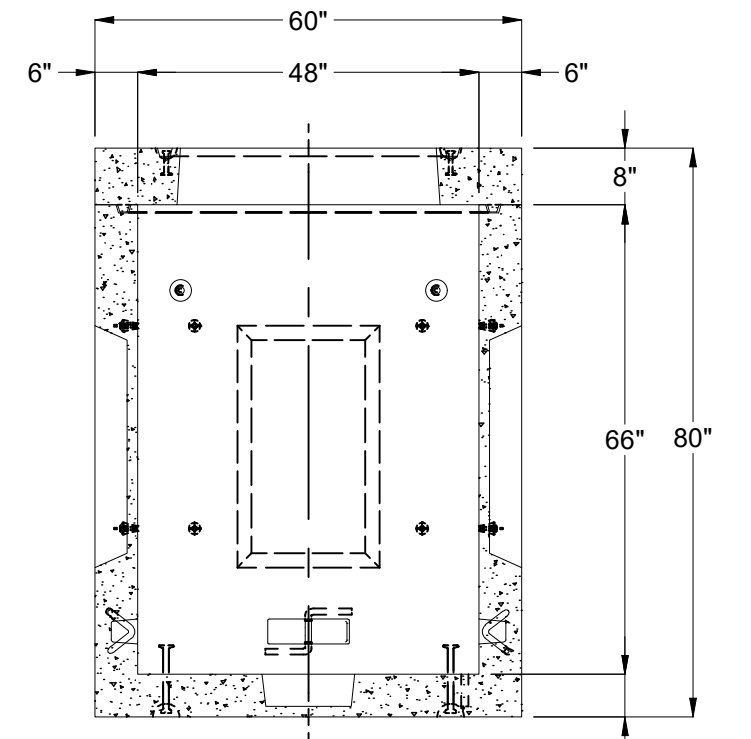
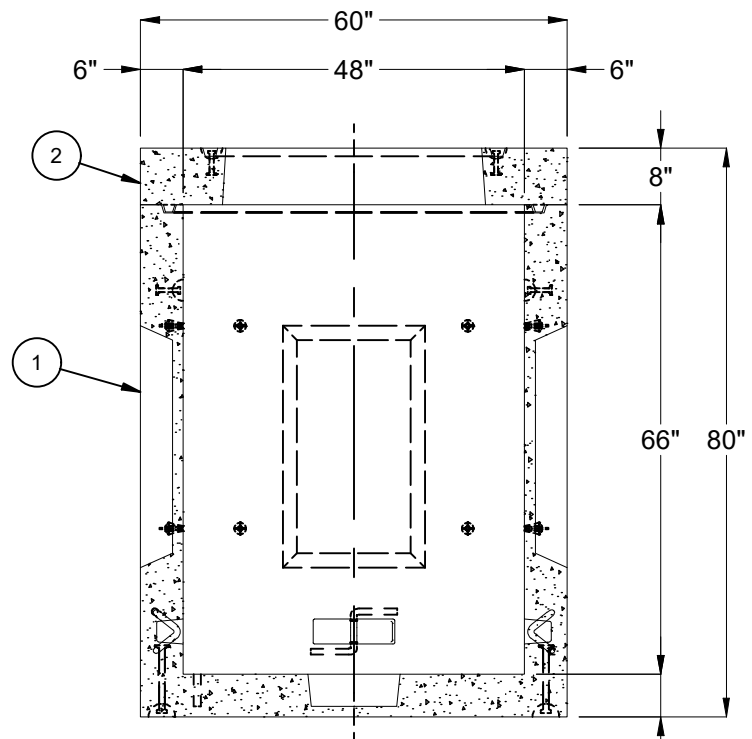
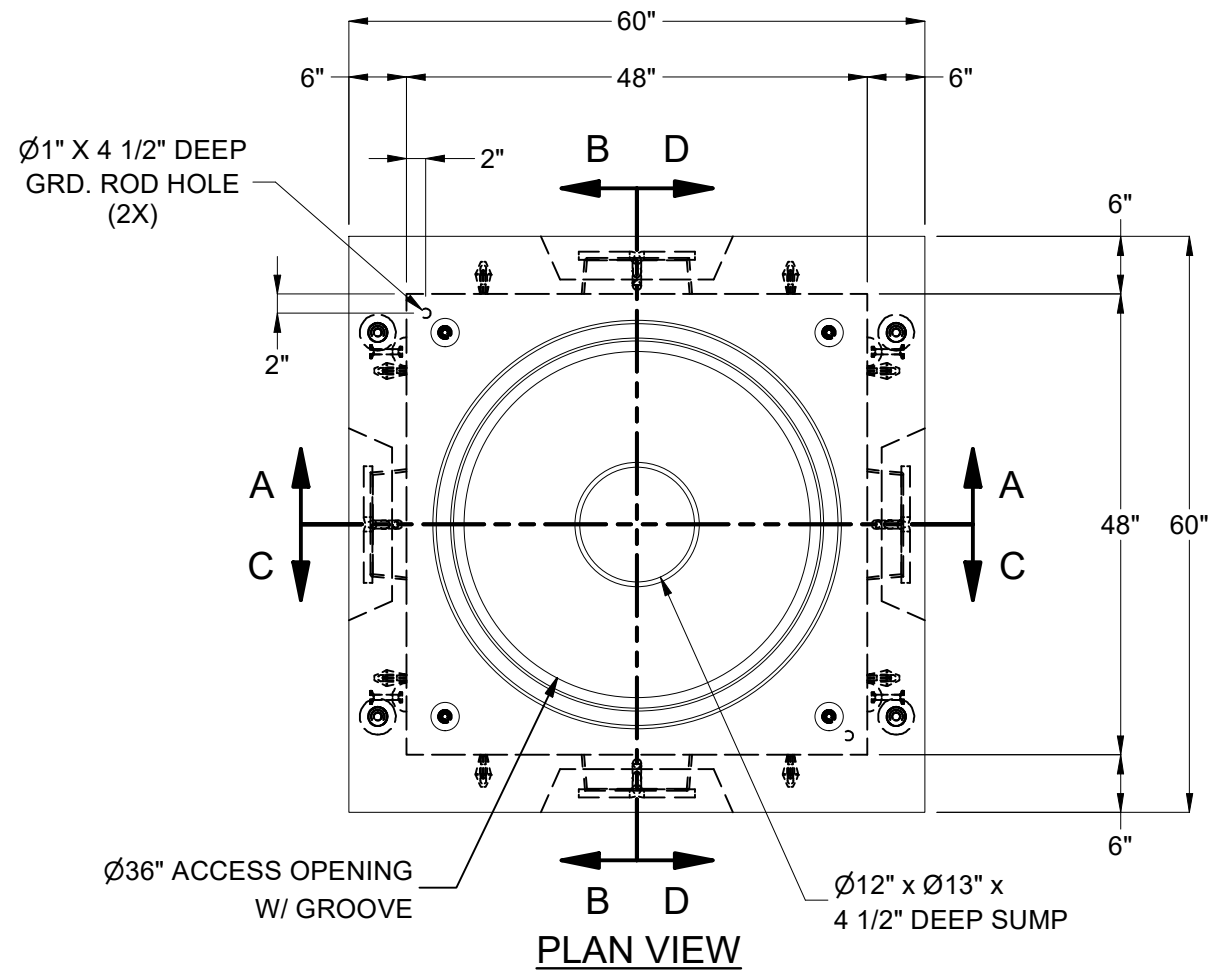
©2025 Jensen Infrastructure - All rights reserved. All materials appearing as Jensen Infrastructure documents and the like are proprietary work product and are protected under U.S. copyright and other laws. Unless in conjunction with business conducted with Jensen Infrastructure any use of Jensen Infrastructure work product without express, written consent is prohibited, and recipient is prohibited from distributing any and all work product to non-approved third parties under penalty of civil action. This product shall only be produced in a Jensen Infrastructure facility.

REVISION HISTORY

REV	DESCRIPTION	DATE	APPROVED
A-1	INITIAL RELEASE INVENTOR	6/23/2025	

DESCRIPTION:		Vault Layout 4848x66 Knockout Sump 36"C		REV:	A-2
PART NUMBER:		100010432	DRAWN BY:		B. Hill
CREATED:		6/20/2024	MODIFIED:		6/24/2025
LAYOUT REVIEW					SHEET:
					1 OF 2

100010432.rdw



100010432.idw

BURY DEPTH:	0.0' - 4.0' to Top
WATER LEVEL:	3.0'
DESIGN SPEC:	ACI 318, ASTM C857
AGENCY:	
APPROX. WEIGHT:	10060.83 Lbs
LOADING SPEC:	A-16 (AASHTO HS20-44)
AGENCY SPEC:	

Infrastructure
JENSEN
 WWW.JENSENPRECAST.COM

©2025 Jensen Infrastructure - All rights reserved.
 All materials appearing as Jensen Infrastructure documents and the like are proprietary work product and are protected under U.S. copyright and other laws.
 Unless in conjunction with business conducted with Jensen Infrastructure any use of Jensen Infrastructure work product without express, written consent is prohibited, and recipient is prohibited from distributing any and all work product to non-approved third parties under penalty of civil action. This product shall only be produced in a Jensen Infrastructure facility.

DESCRIPTION:	Vault Layout 4848x66 Knockout Sump 36"C	
	LAYOUT DRAWING	
PART NUMBER:	100010432	DRAWN BY: B. Hill
CREATED:	6/20/2024	MODIFIED: 6/24/2025

REV: A-2
 SHEET: 2 OF 2