

# 4' X 4'-0" X 6'-0" FIBER OPTIC HANDHOLE

MODEL K44X-FOH72-11-COMM

PER EDISON UGS-002 SPEC.

**NOTES:**

STRUCTURE DESIGNED IN ACCORDANCE WITH:

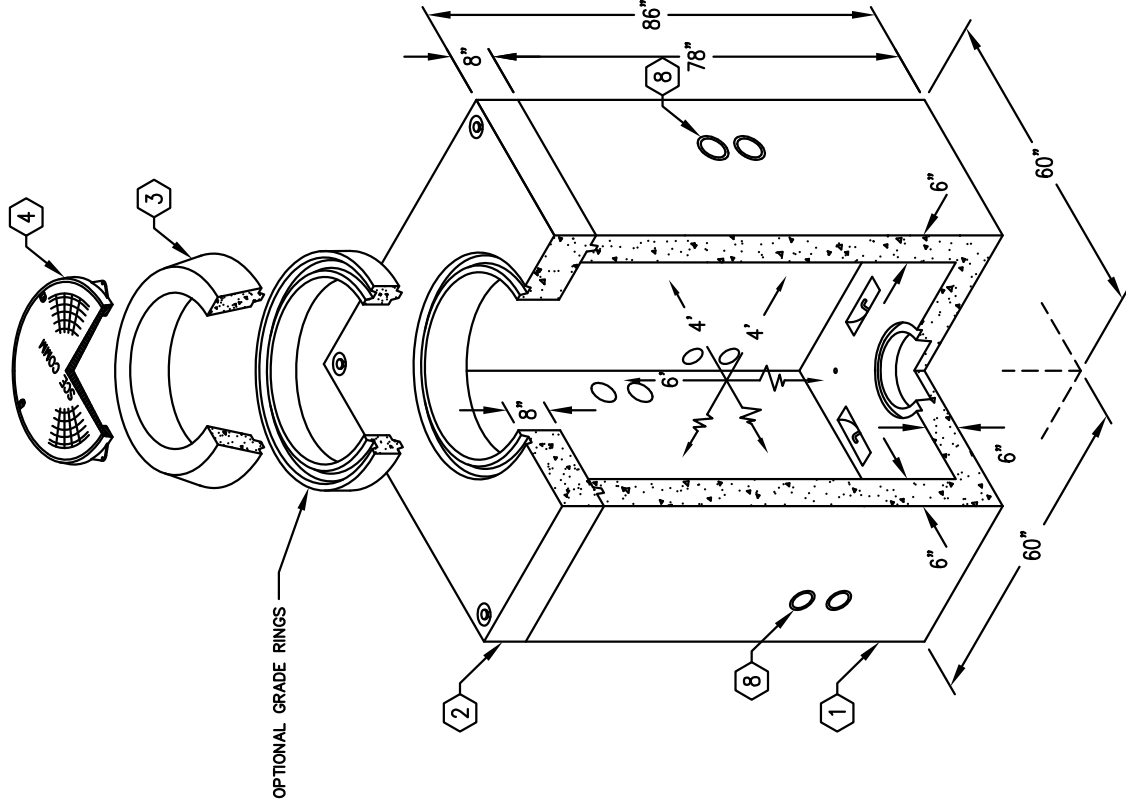
- AASHTO H-20 TRAFFIC BRIDGE LOADING
- ASTM C-857 STANDARD PRACTICE FOR MINIMUM STRUCTURAL DESIGN LOADING FOR UNDERGROUND PRECAST CONCRETE UTILITY STRUCTURES
- AMERICAN CONCRETE INSTITUTE ACI 318-05

CONCRETE COMPRESSIVE STRENGTH  $f'_c = 5500$  PSI

REINFORCEMENT IN ACCORDANCE WITH ASTM A-706 WITH A YIELD STRENGTH OF  $F_y = 60,000$  PSI.

6" MINIMUM COMPACTED GRANULAR MATERIAL RECOMMENDED FOR SUB-BASE FOR EASE OF INSTALLATION AND EVEN LOAD DISTRIBUTION.

1. UV44X-B72-11, 72" BOTTOM SECTION. WT. 9,975 lbs.
2. UV44X-T-11, 8" TOP SLAB. WT. 2,025 lbs.
3. MN36-N12, 12" CONE SECTION. WT. 600 lbs.
4. 30" DIA. CAST-IRON TRAFFIC RING & COVER. MARK W/STARBURST "SCE COMM". WT. 380 lbs.
5. 12" x 13" DIA. SUMP x 4 1/2" DEEP.
6. 1/2" PLASTIC INSERT.
7. 7/8" DIA x 3 3/8" GALV. PULL IRON.
8. 5" DIA. TERMINATORS.
9. 27 HOLE CABLE RACKS FLUSH MOUNT.
10. 2 TON x 3 3/8" GALVANIZED RISS.
11. 1" PVC PIPE WITH CAP SCH 40, 6"L, CAPPED AT OUTSIDE WALL FOR GROUND ROD K.O.



MINIMUM EXCAVATION SIZE:  
6'-0" x 6'-0" x DEPTH REQD.

# 4' X 4'-0" X 6'-0" FIBER OPTIC HANDHOLE

MODEL K44X-FOH72-11-COMM

PER EDISON UGS-002 SPEC.

