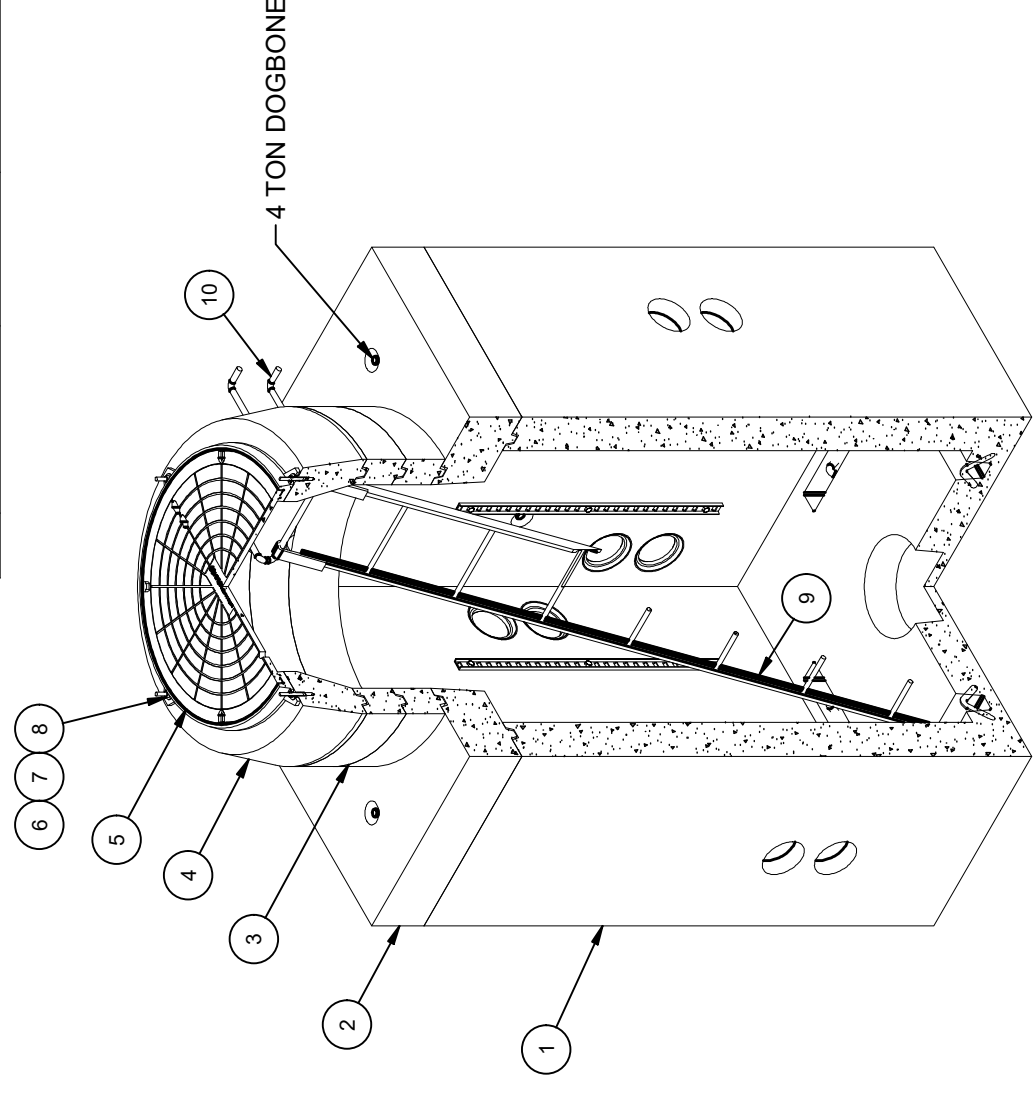


DESIGN NOTES

- DESIGNED IN ACCORDANCE WITH AASHTO HS20-44 TRAFFIC BRIDGE LOADING USING 5,500 PSI COMPRESSIVE STRENGTH CONCRETE AND 60,000 PSI YIELD STRENGTH ASTM A-706 STEEL REINFORCEMENT PER CALCS. #33829.
- COVER DESIGNED FOR TRAFFIC LOADING.
- MINIMUM EXCAVATION SIZE: 6'-0" X 6'-0" X DEPTH REQ'D.
- VAULT TO BE PLACED ON A MIN. 6" BASE OF CRUSHER RUN FOR EASE OF INSTALLATION AND EVEN LOAD DISTRIBUTION.
- FINISH COATING: ALL INTERIOR WALLS AND CEILING SHALL BE PAINTED WHITE.
- ALL PARTS TO BE STENCILED: MFG DATE / JOB NUMBER / PRODUCT ID / WEIGHT.
- FOR COMPLETE DESIGN AND PRODUCT INFORMATION CONTACT JENSEN PRECAST.

BILL OF MATERIALS

ITEM	UNIT QTY	QTY	PART NUMBER	DESCRIPTION	MASS (lb)
1	1	1	100012812	Vault 4848x72 Rect. Bottom Section Terminators Sump Edison Fiber Optic	9651
2	1	1	100012357	Vault 4848x8 Slab Top 36"C Edison Fiber Optic	1777
3	1	2	100012117	Grade Ring D3645x6	288
4	1	1	100012114	Grade Ring D3036x9	538
5	1	1	100006998	CI RING & COVER 30DIA A-1106 B/D 2-FLANGE DOWN STARBURST SCE COMM	300
6	1	4	100008115	STUD BOLT 1/2X5 UNC LEVELING PLAIN	
7	1	4	100002657	WASHER FLAT 1/2 REGULAR TYPE A RAW	
8	1	4	100007007	HEX NUT 1/2-13 UNC HEAVY GALV	
9	1	1	100005671	LADDER HOOKED GALV 7FT-6IN ED/LA I3382	
10	1	2	100002564	LADDER STEP RUNG 12B31 TYPE 1 MH KNURLED GALV 3/4X16	
11	1	8	100002514	CABLE RACK 27 HOLE GALV W/O TABS	
12	1	24	100022504	HEX BOLT, TAP, 1/2-13 UNC 2.5 ZINC	
13	1.000 gal	1.000 gal	100006420	COATING PAINT LATEX WHITE	
14	1.000 ul	1.000 ul	100005749	SEALANT JOINT BUTYL RUBBER ASTM C-990 AND M198 CS-102 1IN EQUIV X14.5FT PER BOX 118FT	



ISOMETRIC VIEW

LIFTING NOTES

- FIELD INSTALLATION: PLANT DEMOLDING: MINIMUM HANDLING CONCRETE STRENGTH F'c = 5500 PSI RIGGING EQUALIZER REQUIRED TO EQUALIZE LOAD TO 4 LIFTING POINTS WITH A SLING ANGLE BETWEEN 60° AND 90°
- BURY DEPTH: 0.0' - 4.0' to Top
- WATER LEVEL: 3.0'
- APPROX. WEIGHT: 12916.87 Lbs
- DESIGN SPEC: ACI 318, ASTM C857
- LOADING SPEC: A-16 (AASHTO HS20-44)
- AGENCY: Edison
- AGENCY SPEC: Fiber Optic



WWW.JENSENPRECAST.COM

©2024, Jensen Precast-All rights reserved. All materials appearing as Jensen Precast documents and the like are proprietary work product and are protected under U.S. copyright and other laws. Unless in conjunction with business conducted with Jensen Precast, any use of Jensen Precast work product without express, written consent is prohibited, and recipient is prohibited from distributing any and all work product to non-approved third parties under penalty of civil action. This product shall only be produced in a Jensen Precast facility.

REVISION HISTORY

REV	DESCRIPTION	DATE	APPROVED
B-1	INITIAL RELEASE IN INVENTOR	5/29/2024	

DESCRIPTION: Vault Layout 4848x72 Terminators Sump 36"C Edison Fiber Optic Int. Paint - White Latex

REV: B-1

SHEET: 42

1 OF 2

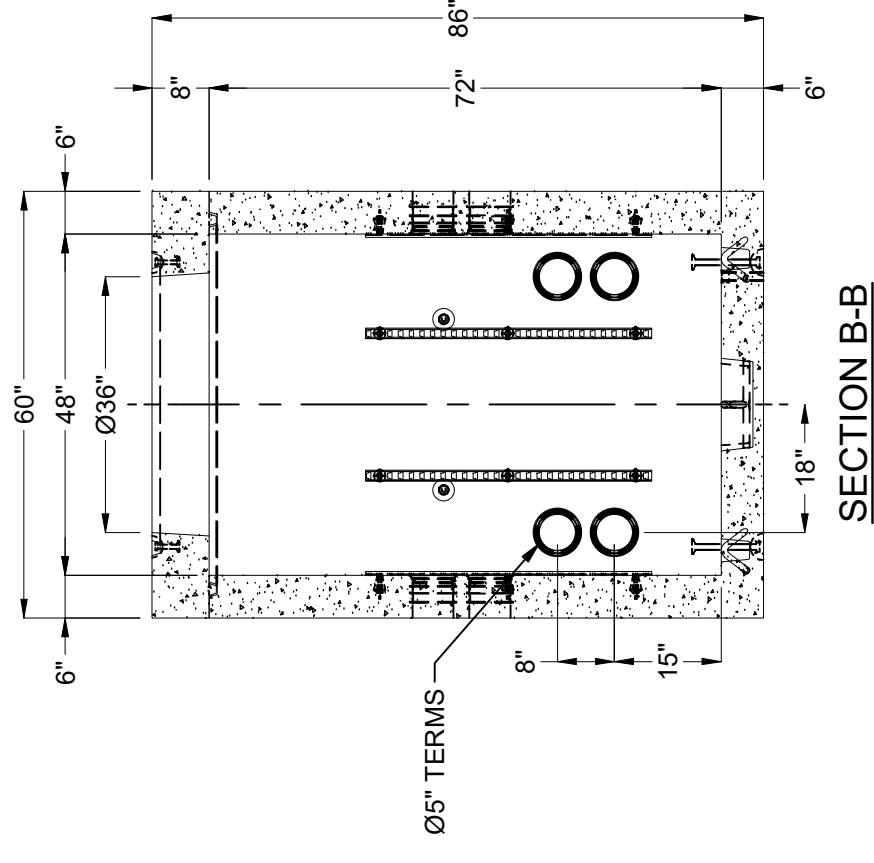
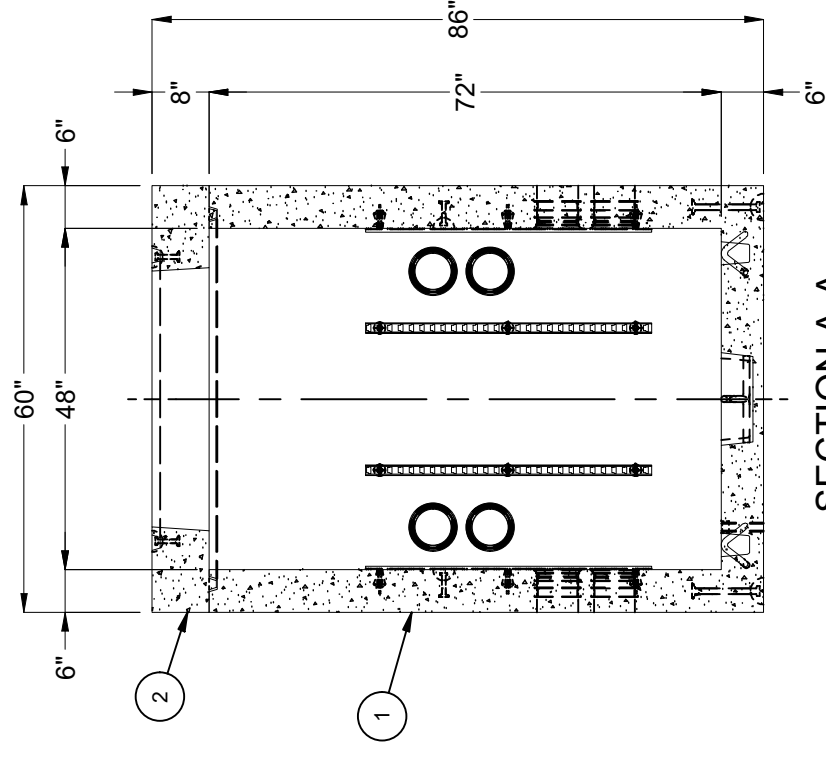
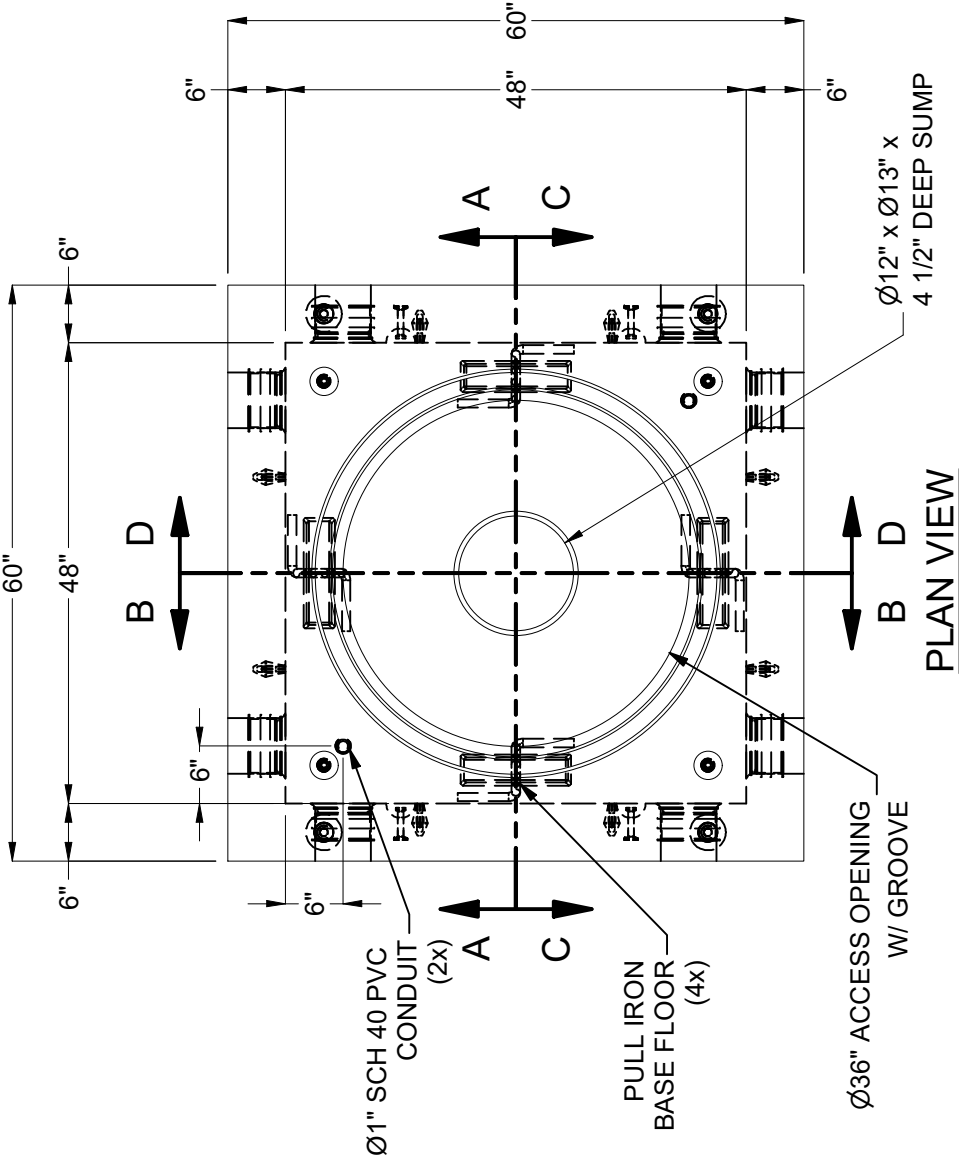
LAYOUT REVIEW

PART NUMBER: 100010436

DRAWN BY: S. Woods

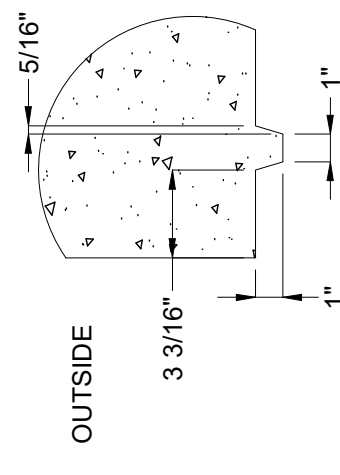
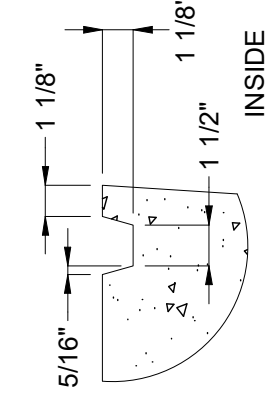
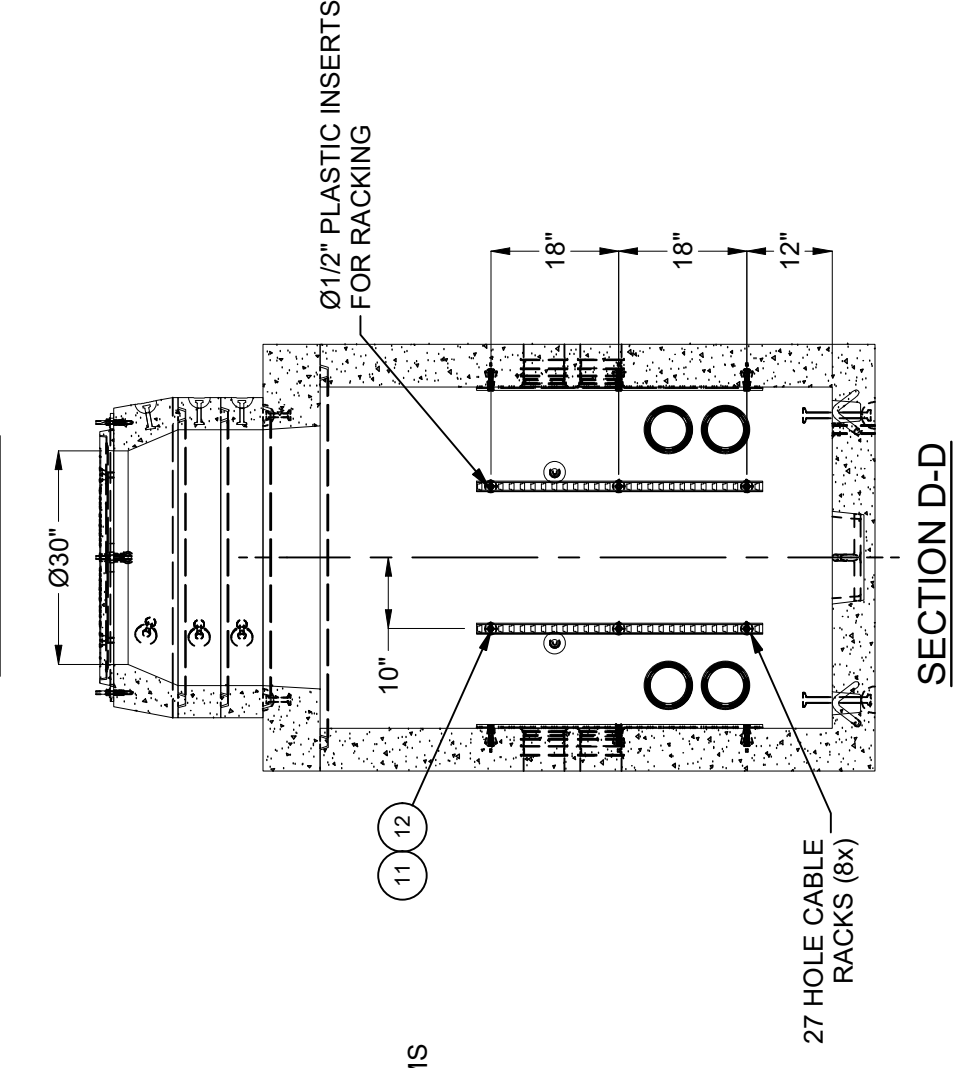
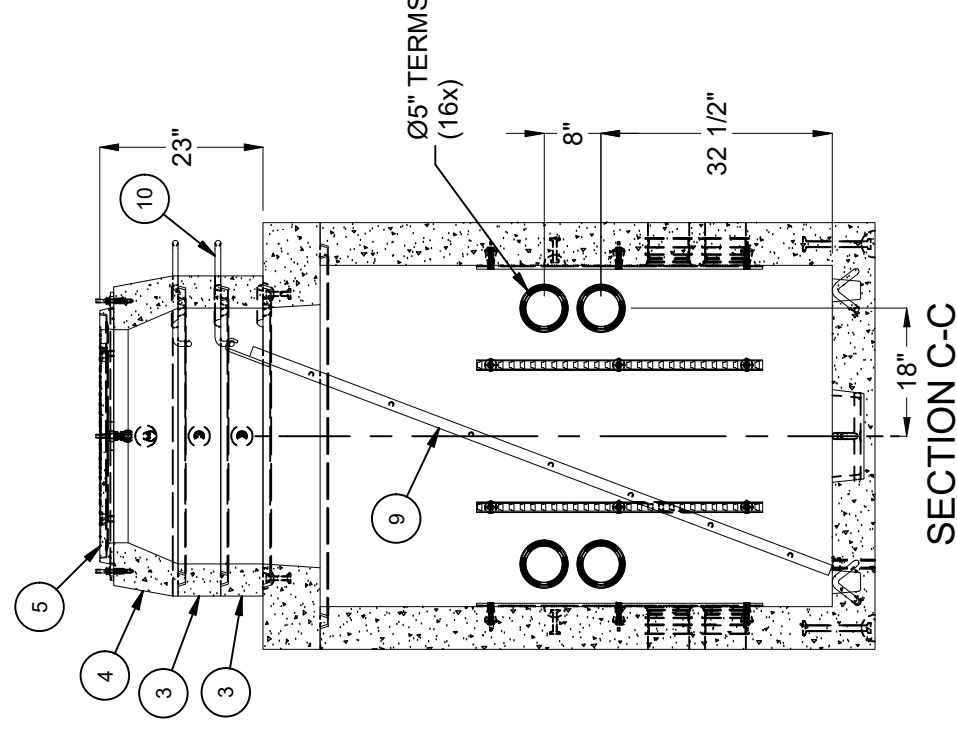
CREATED: 3/20/2024

MODIFIED: 5/29/2024



SECTION A-A

SECTION B-B



BURY DEPTH:	0.0' - 4.0' to Top
WATER LEVEL:	3.0'
DESIGN SPEC:	ACI 318, ASTM C857
AGENCY:	Edison
APPROX. WEIGHT:	12916.87 Lbs
LOADING SPEC:	A-16 (AASHTO HS20-44)
AGENCY SPEC:	Fiber Optic

©2024, Jensen Precast. All rights reserved. All materials appearing as Jensen Precast documents and the like are proprietary work product and are protected under U.S. copyright and other laws. Unless in conjunction with business conducted with Jensen Precast, any use of Jensen Precast work product without express, written consent is prohibited, and recipient is prohibited from distributing any and all work product to non-approved third parties under penalty of civil action. This product shall only be produced in a Jensen Precast facility.

JENSEN PRECAST EST. 1968
WWW.JENSENPRECAST.COM

DESCRIPTION:	Vault Layout 4848x72 Terminators Sump 36°C Edison Fiber Optic Int. Paint - White Latex
LAYOUT DRAWING	
PART NUMBER:	100010436
DRAWN BY:	S. Woods
CREATED:	3/20/2024
MODIFIED:	5/29/2024

REV:	B-1
SHEET:	43
2 OF 2	