

4'-0" x 5'-0" TRAFFIC VAULT NECK WITH CONCRETE COVER

NOTES:

- DESIGNED IN ACCORDANCE WITH AASHTO H-20-44 TRAFFIC LOADING USING 5,500 P.S.I. COMPRESSIVE STRENGTH CONCRETE AND 60,000 P.S.I. YIELD STRENGTH GRADE 60 A-706 STEEL REINFORCEMENT PER CALCS. # 31635.
- *EXTENSION ARE AVAILABLE IN THE FOLLOWING SIZES:
 - A) VN45-R6, 6" EXTENSION SECTION (355-1834-1). WT. 877#.
 - B) VN45-R9, 9" EXTENSION SECTION (355-1834-2). WT. 1,316#.
 - C) VN45-R12, 12" EXTENSION SECTION (355-1834-3). WT. 1,755#.

ORDERING INFORMATION:

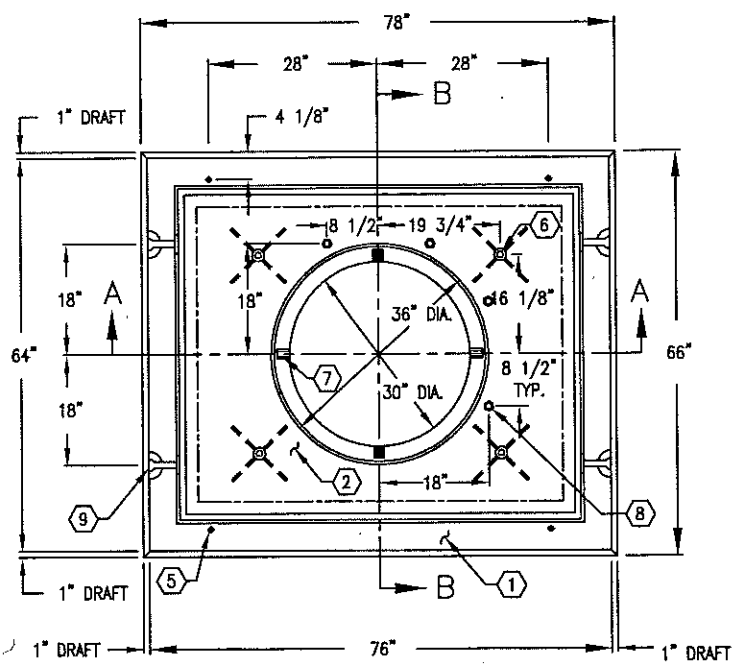
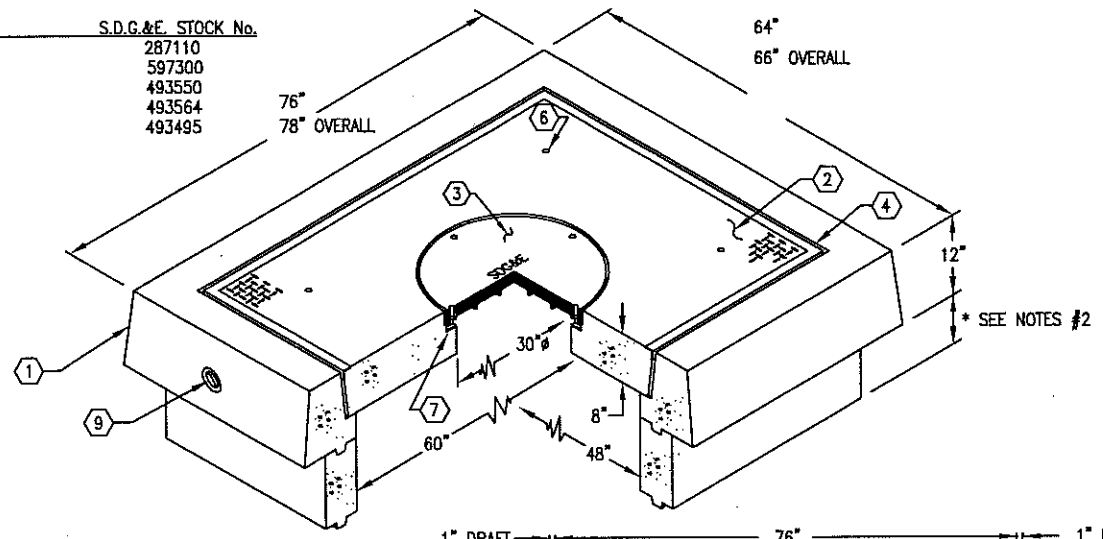
K45-VN12-10 FOR ASSEMBLY AS SHOWN.
 APPROVED FOR SAN DIEGO GAS & ELECTRIC CO. SPEC. 3332.
 TOTAL WEIGHT FOR ASSEMBLY AS SHOWN IS 4,231#.

IDENTIFICATION:

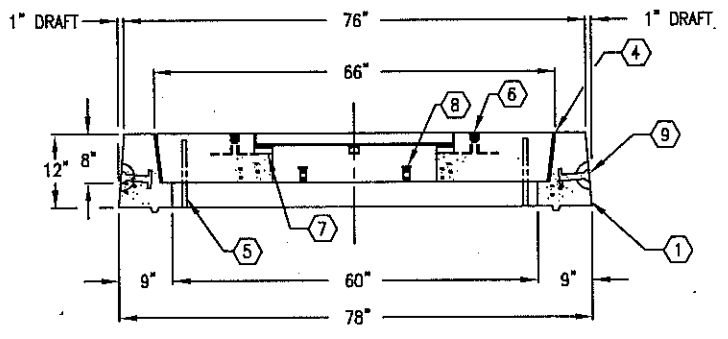
ALL PRECAST CONCRETE PRODUCTS SHALL HAVE MARKINGS INDICATING THE MANUFACTURE'S NAME, DATE OF POUR AND S.D.G.&E. STOCK NUMBER; SHALL BE PLACED ON THE OUTSIDE AND INSIDE WALL.

JENSEN PART No.	S.D.G.&E. STOCK No.
1. VN45-T8-055	287110
2. VN45-N12-05	597300
3. VN45-R6	493550
4. VN45-R9	493564
5. VN45-R12	493495

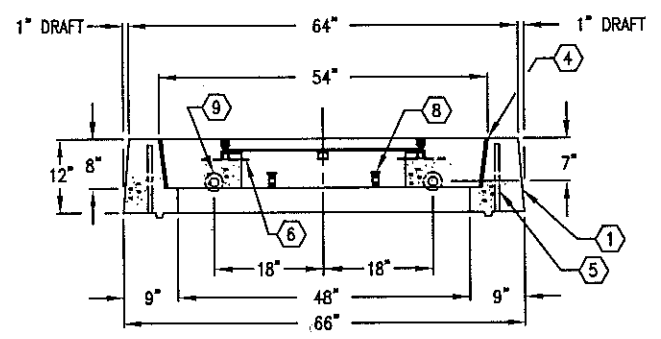
1. VN45-N12-05, 12" NECK SECTION (R-VN45-N12-05). WT. 1,949#.
2. VN45-T8-10, 8" COVER SECTION W/CAST-IN A-1106 RING (05-30-01), SURFACE TO BE DIAMOND PLATE IMPRINT (R-VN45-T8-055). WT. 2,077#.
3. A-1106, 30" DIAMETER ALHAMBRA FOUNDRY COVER MARKED "S.D.G.&E." (04-30-17). WT. 205#.
4. 3/8" x 8" EXPANDED FELT.
5. 3/4" COIL THREADED ADJUSTING BOLT HOLE x 11" LONG. LOCATE AS FOLLOWS: NECK SECTION (4) TONGUE FORMER MTD.
6. 1" DIAMETER x 5 1/2" GALVANIZED COIL THREAD INSERT. LOCATE AS FOLLOWS: COVER SECTION (4) TABLE MTD.
7. CLEANOUT HOLES.
8. 1/2" S.S. LOOP INSERT. LOCATE AS FOLLOWS: COVER SECTION (4) CORE DECK MTD.
9. 2 TON x 3 3/8" GALVANIZED RISS HANDLING ANCHOR. LOCATE AS FOLLOWS: NECK SECTION (4) SHELL MTD.



PLAN VIEW



SECTION A-A



SECTION B-B



AUTOCAD REL. 14 (345VCN12-DE1)

#	DATE	DESCRIPTION	BY
H	5-3-00	NEW PART NUMBERS	D.P.
J	6-7-00	CHANGED TO 30" RING	D.P.

K45-VN12-10
 S.D.G. & E. SPEC 3332 8-05-88