

# 4'-0" x 5'-0" TRAFFIC VAULT 9" NECK WITH CONCRETE COVER 51

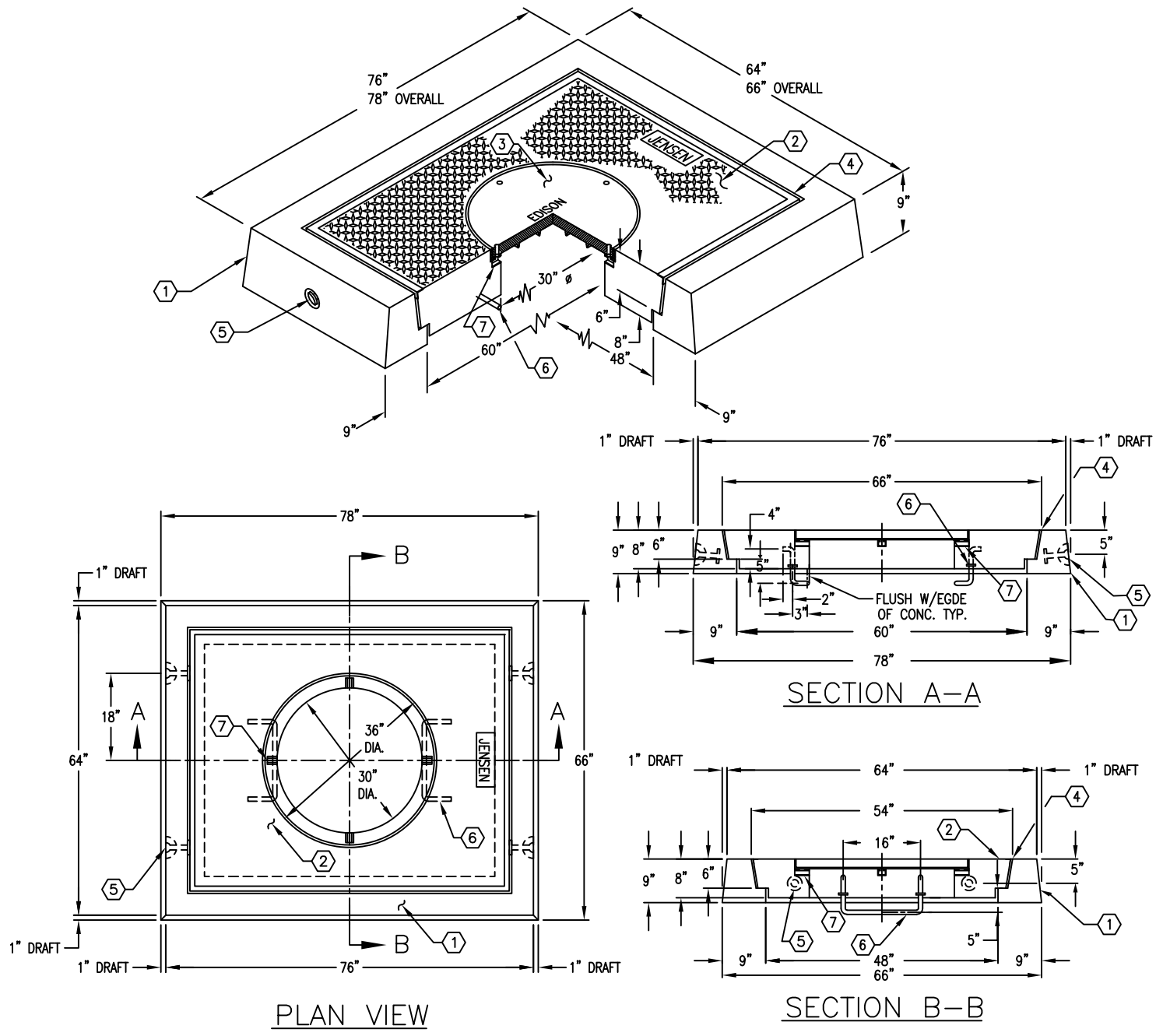
**NOTES:**

- DESIGNED IN ACCORDANCE WITH AASHTO H-20-44 TRAFFIC LOADING USING 5,500 P.S.I. COMPRESSIVE STRENGTH CONCRETE AND 60,000 P.S.I. YIELD STRENGTH GRADE 60 A-706 STEEL REINFORCEMENT PER CALCS. # 31635.
- EXTENSION ARE AVAILABLE IN THE FOLLOWING SIZES:**
- A) VN45-R6, 6" RISER SECTION (CG-VN45-R6 (106)). WT. 1,200 Lbs.
  - B) VN45-R12, 12" RISER SECTION (CG-VN45-R12 (105)). WT. 2,400 Lbs.

- 1. VN45-N9, 9" NECK SECTION (CG-VN45-N9(487)). WT. 1,462 lbs.
- 2. VN45-T8-MOD-11, 6"-8" COVER MOD. (CG-VN45-T8-MOD(486), W/CAST-IN R-1581 RING (05-30-01). SURFACE TO BE DIAMOND PLATE IMPRINT (345-6). WT. 1,984 Lbs.
- 3. A-1106, 30" DIAMETER CAST IRON COVER MARKED "EDISON" (04-30-09). WT. 290 lbs.
- 4. 3/8" x 8" EXPANDED FELT.
- 5. 2 TON x 3/8" GALVANIZED RISS HANDLING ANCHOR, NECK SECTION (4) SHELL MTD.
- 6. 3/4" DIAMETER GALVANIZED STRESS RELIEVED LADDER RUNG WITH (2) 1/4" THICK x 2 O.D. WASHERS, COVER SECTION (2) SURFACE MTD.
- 7. BOLT HOLE CLEAN OUTS (4 PLACES).

**ORDERING INFORMATION:**

K45-VN9-11T FOR ASSEMBLY AS SHOWN.  
 APPROVED FOR EDISON SPEC. UGS-470 & UGS-660.  
 TOTAL WEIGHT FOR ASSEMBLY AS SHOWN IS 3,736 Lbs.



#	DATE	DESCRIPTION	BY

K45-VN9-11T  
 PER EDISON SPEC. UGS 470 & 660 07-02-02