

4'-0" x 6'-6" DUCTED MANHOLE x 66" DEEP

MATERIAL LIST - K466-DM66-11

ITEM PART NO.	DESCRIPTION	CAGE NO. / LOCATE	WEIGHT/ MOUNT
1	UV466-B-05 7" THICK BASE SLAB	CG-466-B(84)	3,300 lbs
2	UV466-I66-11 66" INTERMEDIATE SECTION	CG-466-I66-05 (XXX)	8,662 lbs
3	UV466-T-11 7" THICK TOP SLAB	CG-466-T-05	2,678 lbs
4	KNOCK OUT 13"x 14" DIA x 5" DEEP W/ RECESS FOR 15" PLATE	BASE SLAB	(1) TABLE
5	KNOCK OUT 18"x 44" K.O. x 12" DEEP DRAFT T=1", S1&S2= 5"B=7"	INTER. SECTION	(2) CORE
6	KNOCK OUT 14"x 18" K.O. x 5" DEEP DRAFT T=1", S1=S2=3", B=3"	INTER. SECTION	(4) CORE
7	55-30-80 10"DIA x 4" DEEP ABS PLASTIC VENT TERMINATOR	INTER. SECTION	(2) CORE
8	55-10-424 1/2" PLASTIC INSERT	INTER. SECTION	(12) CORE
9	KNOCK OUT 1" DIA. GROUND ROD K.O.	BOTTOM SECTION	(4) CORE
10	55-10-855 1" GALV. DOUBLE COIL THREADED INSERT	INTER. SECTION	(4) CORE
11	55-10-850 1" GALVANIZED COIL THREADED INSERT	INTER. SECTION	(4) CORE
12	55-20-404 4 TON x 4-3/4" GALVANIZED RISS HANDLING	BASE SLAB	(4) TABLE & SURFACE
		INTER. SECTION	(4) CORE & SHELL
		TOP SLAB	(4) SURFACE
13	55-10-4245 1/2" BRONZE GROUND INSERT WELD TO REBAR	INTER. SECTION	(2) REQ'D
14	55-10-422 1/2" LOOP STEEL INSERT FOR "J" BOLTS	INTER. SECTION	(4) REQ'D

NOTES:

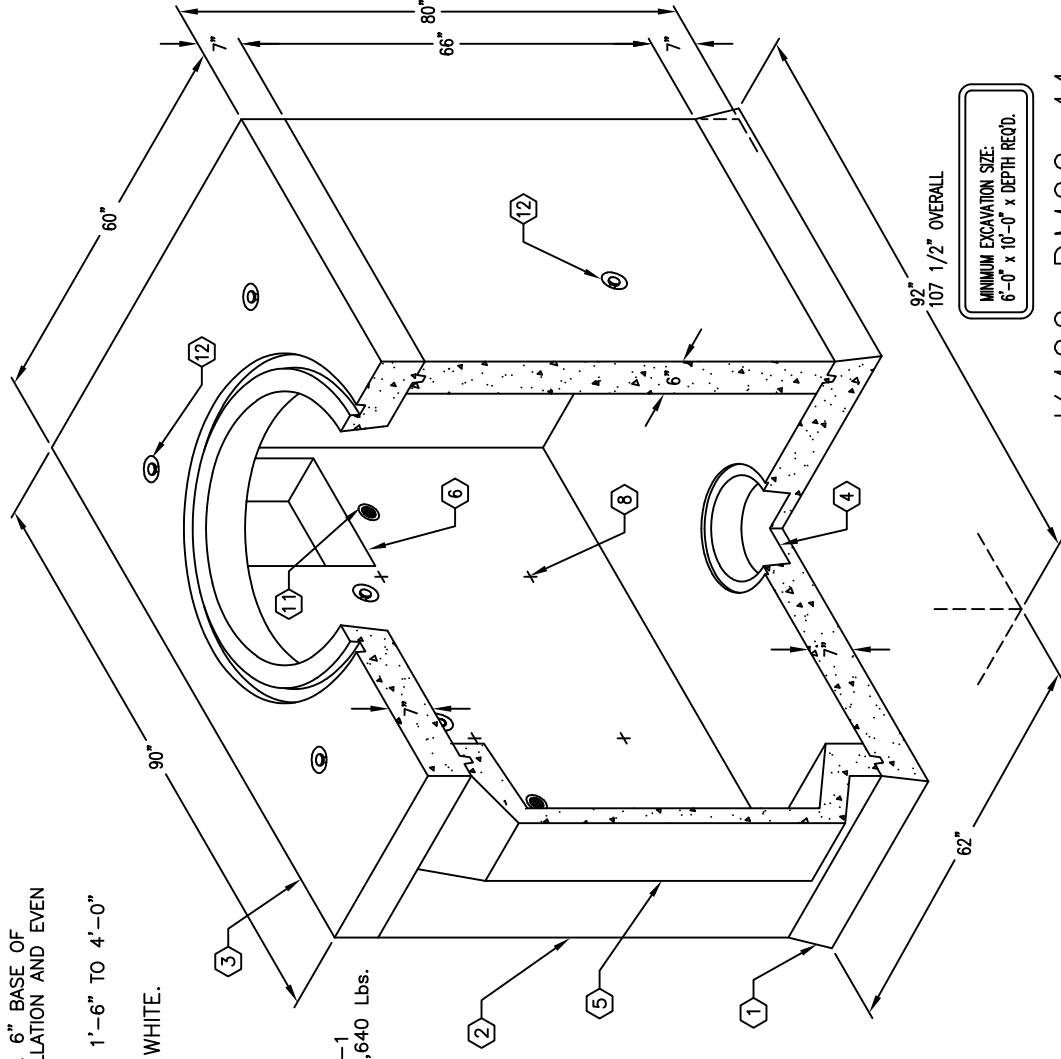
- MANHOLE DESIGNED IN ACCORDANCE WITH AASHTO H-20-44 TRAFFIC BRIDGE LOADING USING 5,500 PSI [37,92MPa] COMPRESSIVE STRENGTH CONCRETE AND 60,000 PSI [413.2MPa] YIELD STRENGTH ASTM A-706 STEEL REINFORCEMENT PER CALCS. #31865.
- MANHOLE TO BE PLACED ON A MIN. 6" BASE OF CRUSHER RUN FOR EASE OF INSTALLATION AND EVEN LOAD DISTRIBUTION.
- LIMIT OF COVER OVER TOP SLAB IS 1'-6" TO 4'-0"
- INTERIOR OF VAULT PAINTED WHITE.

THE FOLLOWING MATERIAL TO BE SHIPPED WITH MANHOLE

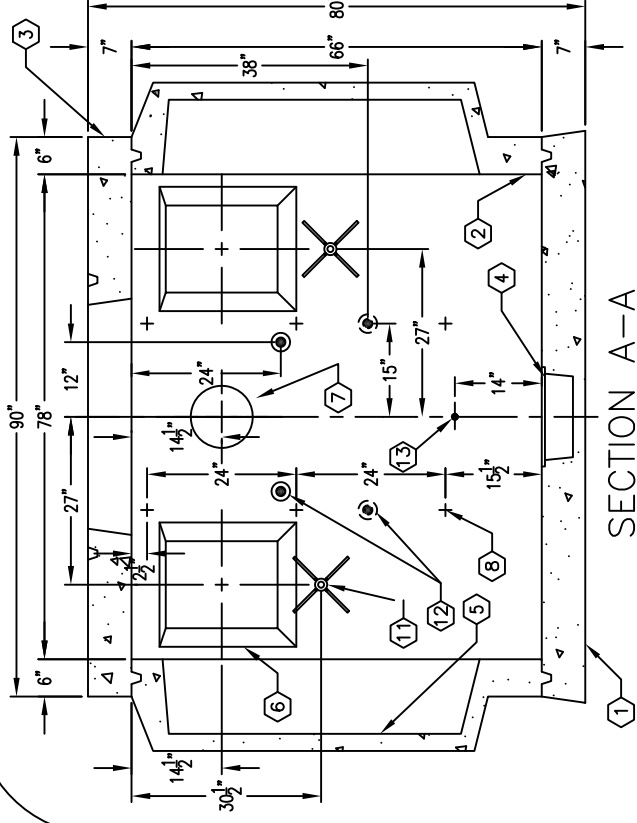
- (c) 7/8 x 1 3/4" CONSEAL GASKET (45 FT. REQ'D).

ORDERING INFORMATION:

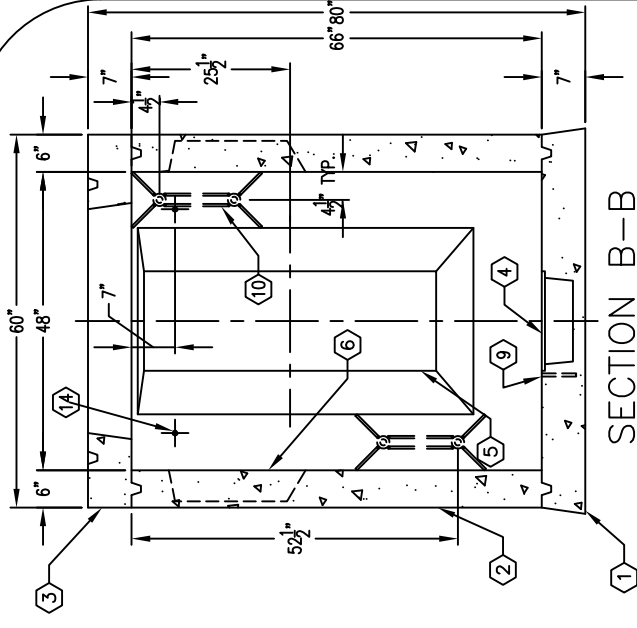
K466DM66-11 FOR ASSEMBLY AS SHOWN.
APPROVED FOR EDISON SPEC. UGS. 300 M-1
TOTAL WEIGHT OF ASSEMBLY SHOWN IS 14,640 Lbs.



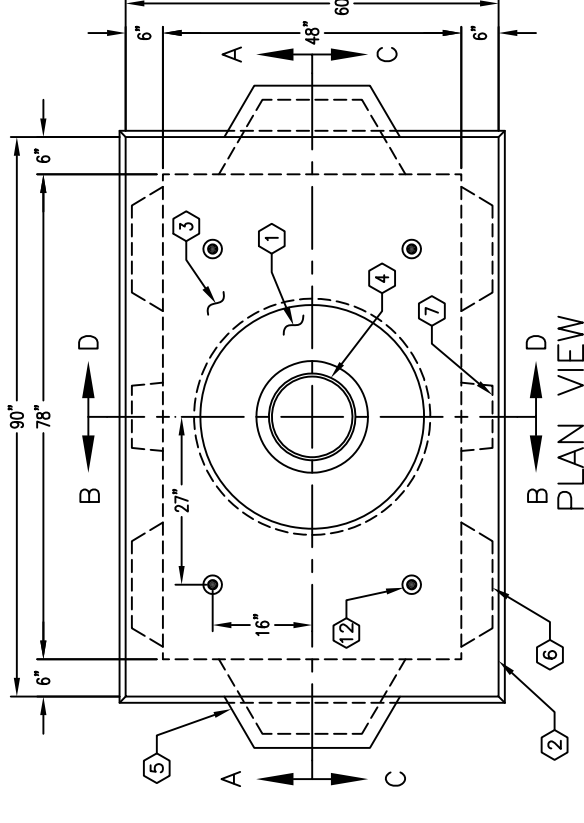
MINIMUM EXCAVATION SIZE:
6'-0" x 10'-0" x DEPTH REQ'D.



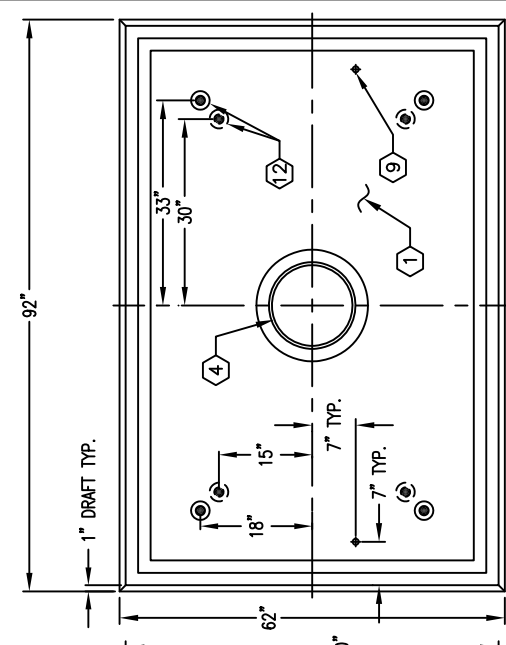
SECTION A-A



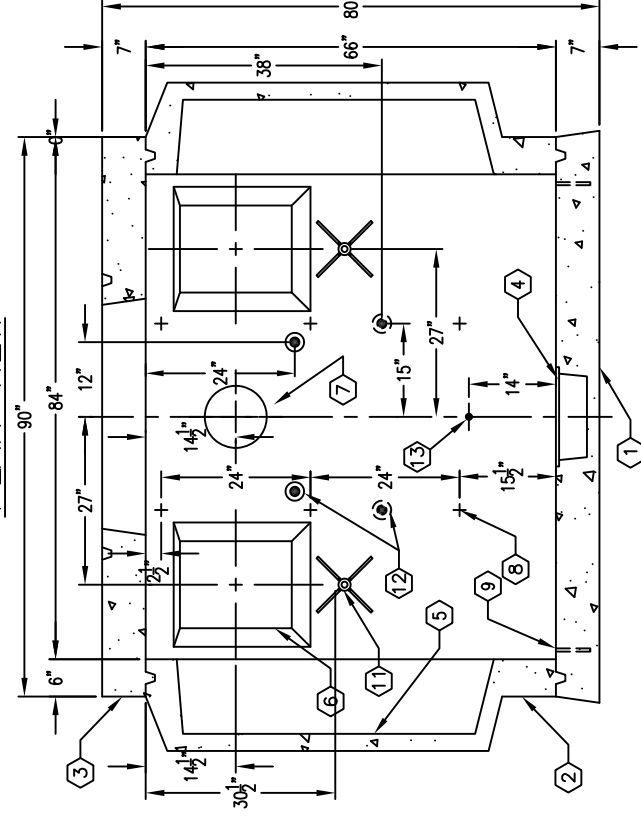
SECTION B-B



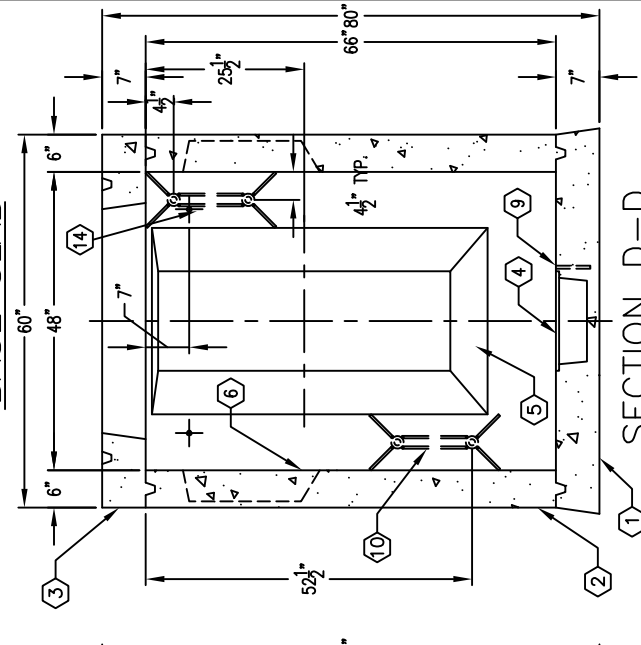
PLAN VIEW



BASE SLAB



SECTION C-C



SECTION D-D

#	DATE	DESCRIPTION	BY
C	3/26/07	ADJUSTED INSERT AND K.O. HEIGHTS	BB
F	12-28-06	ADD PAINT WHITE	YK