

4' x 6'-6" x 5'-6" DUCTED MANHOLE

MODELK466-DM66-11

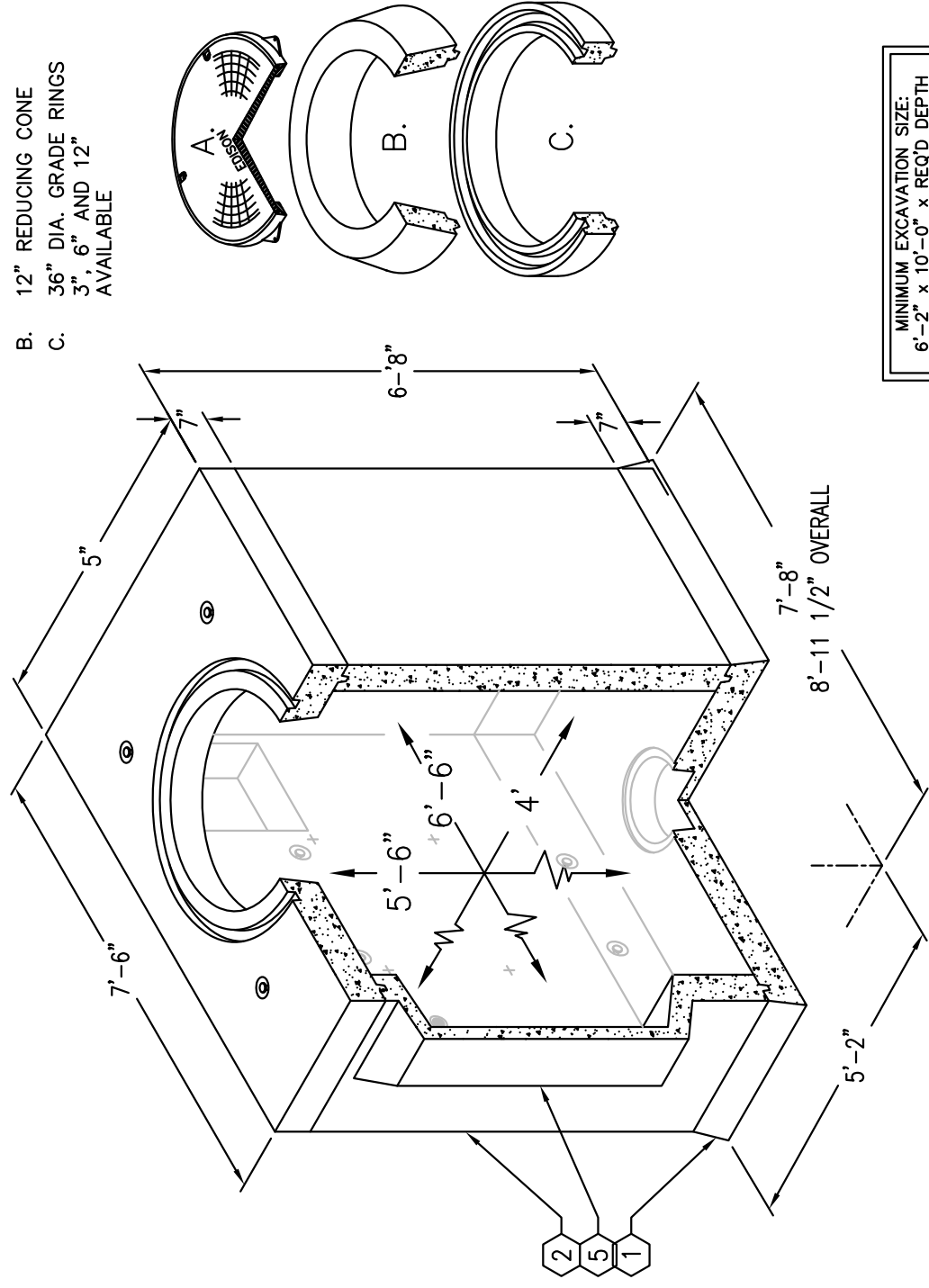
PER EDISON SPEC.
UGS-MH300, M-1

NOTES:

- STRUCTURE DESIGNED IN ACCORDANCE WITH:
 AASHTO H-20 TRAFFIC BRIDGE LOADING
 ASTM C-857 STANDARD PRACTICE FOR MINIMUM STRUCTURAL DESIGN LOADING FOR UNDERGROUND PRECAST CONCRETE UTILITY STRUCTURES
 AMERICAN CONCRETE INSTITUTE ACI 318-05
 CONCRETE COMPRESSIVE STRENGTH $F'_c = 5500$ PSI
 REINFORCEMENT IN ACCORDANCE WITH ASTM A-706 WITH A YIELD STRENGTH OF $F_y = 60,000$ PSI.
 6" MINIMUM COMPACTED GRANULAR MATERIAL RECOMMENDED FOR SUB-BASE FOR EASE OF INSTALLATION AND EVEN LOAD DISTRIBUTION.

1. UV466-B-05, 7" THICK BASE SLAB, 3,300 lbs.
2. UV466-166-11, .66" INTERMEDIATE SECTION, 8,700 lbs.
3. UV466-T-11, .7" TOP SLAB, 3,000 lbs.
4. 13" x 14" DIA SUMP x 5" DEEP W/ RECESS FOR 15" PLATE.
5. 18" x 44" K.O. x 12" DEEP.
6. 14" x 18" K.O. x 5" DEEP.
7. 10" DIA PLASTIC VENT TERMINATOR.
8. 1/2" PLASTIC INSERT.
9. 1" DIA GROUND ROD K.O.
10. 1" GALV. DOUBLE COIL THREADED INSERT.
11. 1" GALVANIZED COIL THREADED INSERT.
12. 1/2" BRONZE GROUND INSERT WELD TO REBAR, (2) REQ'D.
13. 1/2" LOOP STEEL INSERT FOR "J" BOLTS, (4) REQ'D.

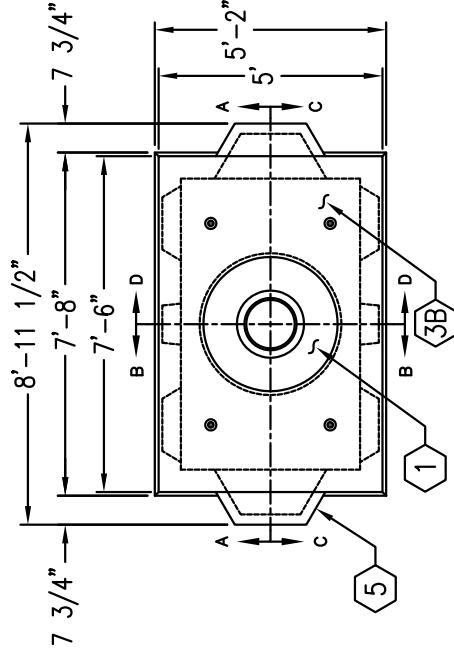
- A. 30" DIA. CAST IRON FRAME AND COVER
 B. 12" REDUCING CONE
 C. 36" DIA. GRADE RINGS 3", 6" AND 12" AVAILABLE



4' x 6'-6" x 5'-6" DUCTED MANHOLE

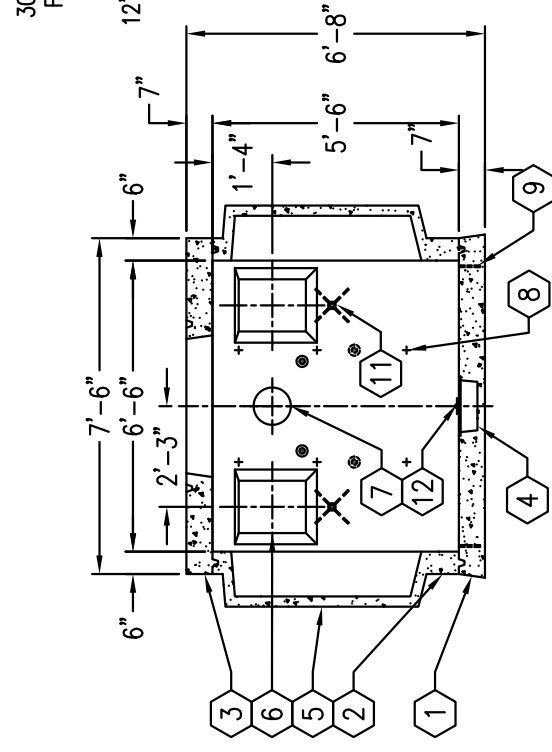
MODELK466-DM66-11

PER EDISON SPEC.
UGS-MH300, M-1

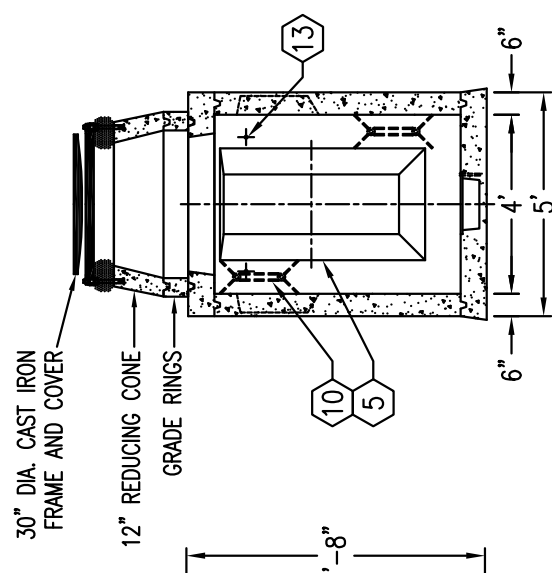


PLAN VIEW

BASE SLAB



SECTION A-A/C-C



SECTION B-B/D-D