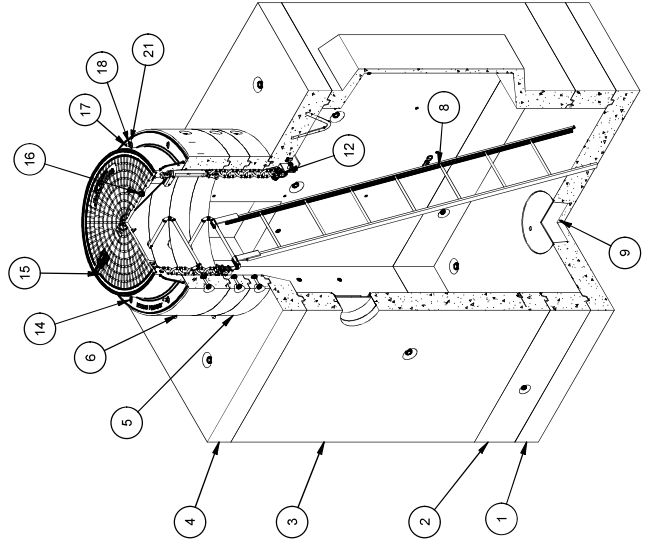


BILL OF MATERIALS

ITEM	UNIT QTY	QTY	PART NUMBER	DESCRIPTION	MASS (lb)
1	1	1	100009172	Vault 4878x7 Slab Bottom EDISON UGS MH300 M-3	3174
2	1	1	100012169	Riser 4878x12 EDISON UGS MH300 M-3	1710
3	1	1	100009307	Riser 4878x72 Knockout Ducted EDISON UGS MH300 M-3	9105
4	1	1	100012359	Vault 4878x7 Slab Top 36°C EDISON UGS MH300 M-3	2615
5	1	2	100012117	Grade Ring D3645x6	288
6	1	1	100012643	Grade Ring D3645x12 Flat with Inserts	610
7	1	2	100002564	LADDER STEP RUNG 12B31 TYPE 1 MH KNURLD GALV 3/4X16	
8	1	1	100009253	LADDER HOOKED GALV 8FT ED/LA I3382	34
9	1	1	100006783	SUMP COVER FOR 13" SUMP (15" OD) GALV DIA PLATE	12
10	1	1	100022537	GROUND ROD COPPER 5/8X12	
11	1	2	100013515	CHAIN 1/2 7-1/2FT GR-30 (FIELD CUT)	
12	1	2	100009367	SHACKLE 5/8IN W/3/4 COTTER PIN GALV	
13	1	2	100009368	TURNBUCKLE CLEVIS-TO-CLEVIS 3/4 THREADED GALV	
14	1	1	100009392	CI RING 30DJAX8IN NEEENAH SWVELOC NF-01502001	232
15	1	1	100009389	CI CVR 30DIA NEEENAH SWVELOC ASTM A49 CL35B LH SO CAL EDISON NF-01505030	257
16	1	1	100008122	PLUG PICKHOLE NEOPRENE RUBBER CI COVER ED/LA	
17	1	4	100008115	STUD BOLT 1/2X5 UNC LEVELING PLAIN	
18	1	8	100007007	HEX NUT 1/2-13 UNC HEAVY GALV	
19	1	4	100022758	GROUND ANCHOR BRACKET KIT HALO HB304R	2
20	1	4	100004320	BOLT HEX 1/2-13 UNC 1 304SS	
21	1	8	100007767	WASHER FLAT 1/2 REGULAR 1.25 OD 304SS	
22	1,500 gal	1,500 gal	100006420	COATING PAINT LATEX WHITE	
23	1,000 ul	1,000 ul	100005749	SEALANT JOINT BUTYL RUBBER ASTM C-990 AND M188 CS-102 1IN EQUIV X14.5FT PER BOX 118FT	

- DESIGN NOTES**
- DESIGNED IN ACCORDANCE WITH AASHTO HS20-44 TRAFFIC BRIDGE LOADING USING 5,500 PSI COMPRESSIVE STRENGTH CONCRETE AND 60,000 PSI YIELD STRENGTH ASTM A-708 STEEL REINFORCEMENT PER CALCS. #30387.
 - MINIMUM EXCAVATION SIZE: 6'-0" X 9'-9" X DEPTH REQ'D.
 - FOR COMPLETE DESIGN AND PRODUCT INFORMATION CONTACT JENSEN PRECAST.
 - COVER DESIGN FOR TRAFFIC LOADING.
 - VAULT TO BE PLACED ON A MIN. 6" BASE OF CRUSHER RUN FOR EASE OF INSTALLATION AND EVEN LOAD DISTRIBUTION.
 - CONCRETE MIX USED IN POURING THIS PRODUCT SHALL USE FLY ASH AS AN ADMIXTURE.
 - FINISH COATING: ALL INTERIOR WALLS AND CEILING SHALL BE PAINTED WHITE.
 - ALL PARTS TO BE STENCILED: MFG DATE / JOB NUMBER / PRODUCT ID / WEIGHT.
 - "GRD" STENCILED IN RED LETTERS (1 1/2" MIN. - 2" MAX.)



ISOMETRIC VIEW

LIFTING NOTES

- FIELD INSTALLATION: PLANT DEMOLDING: MINIMUM HANDLING CONCRETE STRENGTH F_c = 5500 PSI RIGGING EQUALIZER REQUIRED TO EQUALIZE LOAD TO 4 LIFTING POINTS WITH A SLING ANGLE BETWEEN 60° AND 90°

WATER LEVEL:	3.0'	APPROX. WEIGHT:	18366.12 Lbs
DESIGN SPEC:	ASTM C857 ACI 318	LOADING SPEC:	A-16 (AASHTO HS20-44)
AGENCY:	EDISON	AGENCY SPEC:	UGS - MH300 M-3

©2024 Jensen Precast. All rights reserved. All materials appearing as Jensen Precast documents and the like are proprietary work product and are protected under U.S. copyright law. No other materials may be reproduced or transmitted in any form or by any means, electronic, mechanical, photocopying, recording, or by any information storage and retrieval system, without the prior written consent of Jensen Precast. Any use of Jensen Precast work product without express, written consent is prohibited, and recipient is prohibited from distributing any and all work products to third parties under penalty of civil action.

REVISION HISTORY	
REV	DESCRIPTION
C-1	REMOVED DRAFT ON BOTTOM SLAB

DATE: 5/22/2024

APPROVED:

DESCRIPTION: Vault 4878x7 Layout Assembly EDISON UGS - MH300 M-3

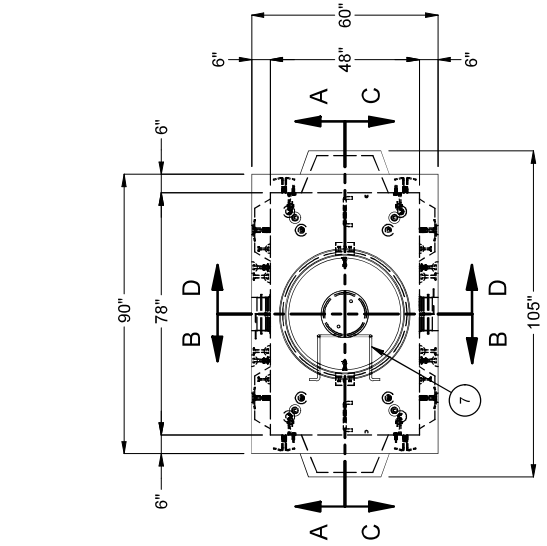
LAYOUT REVIEW

PART NUMBER: 100010454

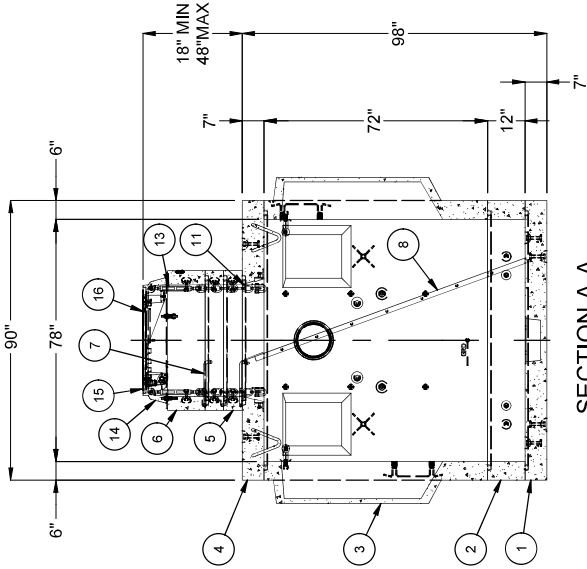
DRAWN BY: D. Mejia

MODIFIED: 6/7/2019

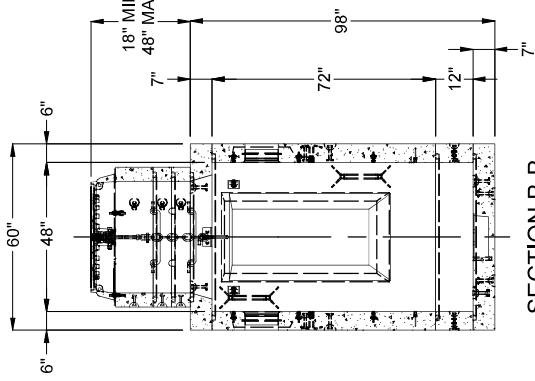
5/22/2024



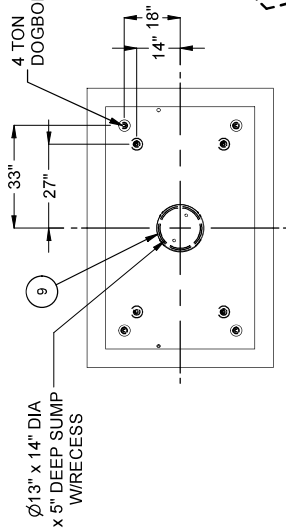
PLAN VIEW
(COVER NOT SHOWN FOR CLARITY)



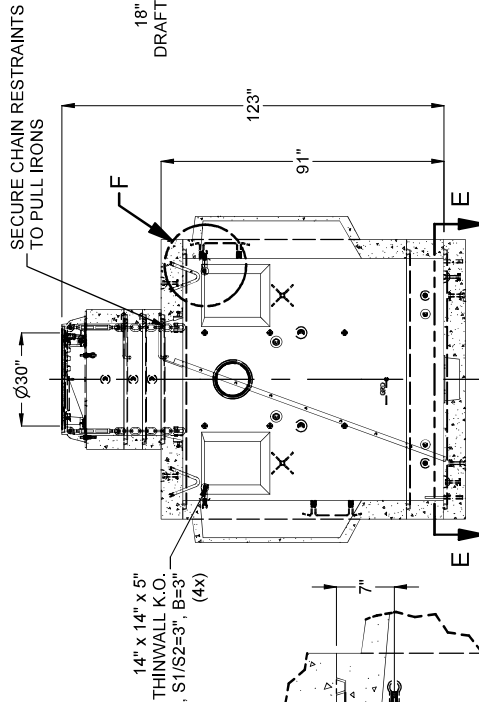
SECTION A-A



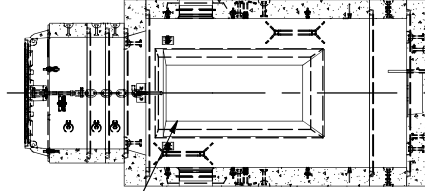
SECTION B-B



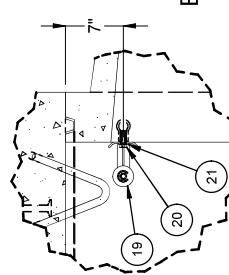
SECTION E-E



SECTION C-C



SECTION D-D



DETAIL F

 EST. 1968 WWW.JENSENPRECAST.COM		DESCRIPTION: Vault 4878 Layout Assembly EDISON UGS - MH300 M-3 LAYOUT DRAWING DRAWN BY: D. Mejia MODIFIED: 5/22/2024	
BURY DEPTH: 1.5' - 4.0' to Top APPROX. WEIGHT: 18366.12 Lbs DESIGN SPEC: ASTM C857, ACI 318 AGENCY: EDISON		PART NUMBER: 100010454 6/7/2019	
WATER LEVEL: 3.0' LOADING SPEC: A-16 (AASHTO HS20-44) AGENCY SPEC: UGS - MH300 M-3		REV: C-1 SHEET: 2 OF 2	