

DESIGN NOTES

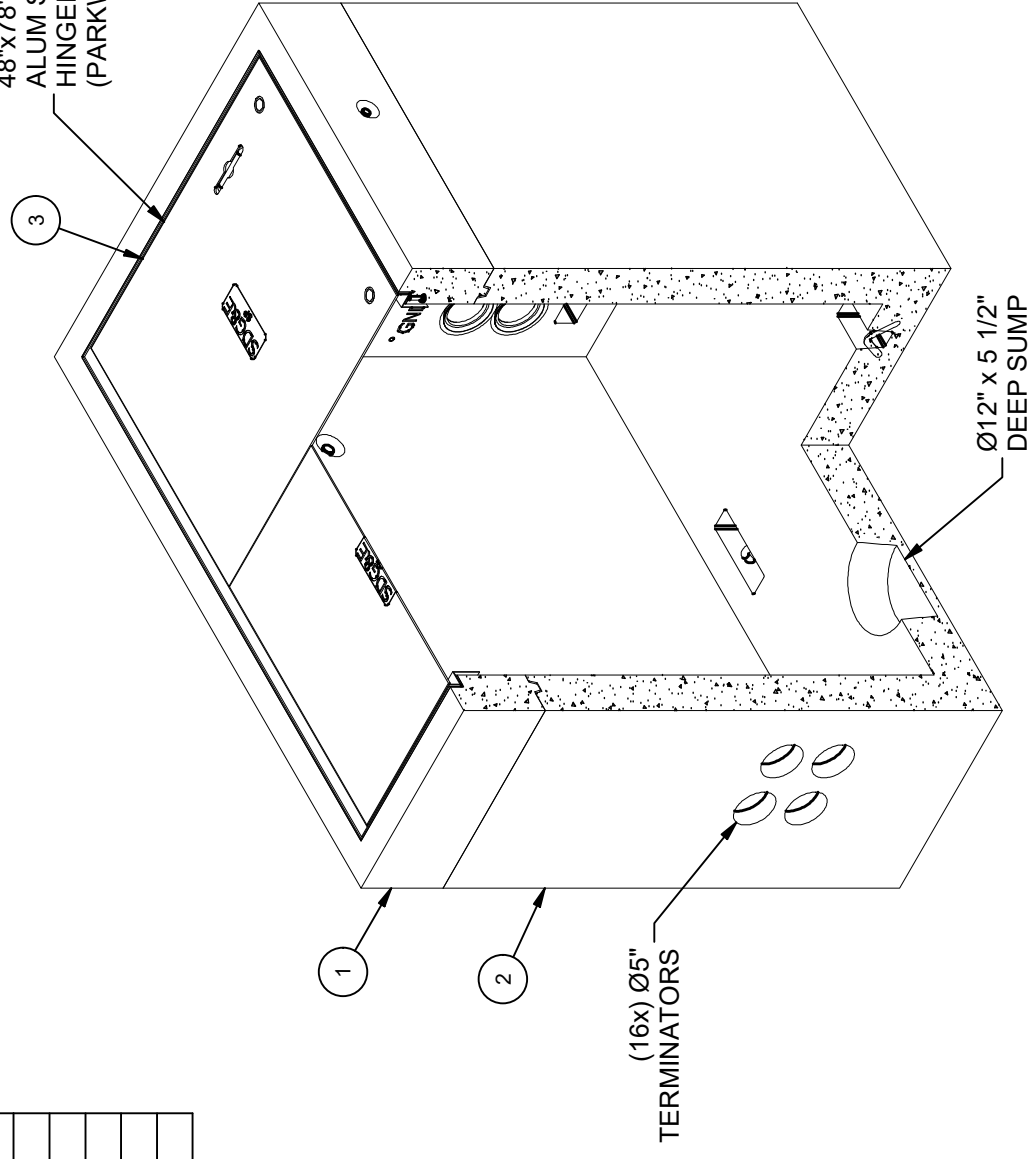
- DESIGNED IN ACCORDANCE WITH C-857(AASHTO H-20-44) TRAFFIC BRIDGE LOADING USING 6,000 PSI COMPRESSIVE STRENGTH CONCRETE AND 60,000 PSI YIELD STRENGTH ASTM A-706 STEEL REINFORCEMENT PER CALCS. #34563.
- COVER DESIGN FOR PEDESTRIAN LOADING
- MINIMUM EXCAVATION SIZE: 6'-0" X 8'-6" X DEPTH REQ'D.
- VAULT TO BE PLACED ON A MIN. 6" BASE OF CRUSHER RUN FOR EASE OF INSTALLATION AND EVEN LOAD DISTRIBUTION.
- EXTERIOR SURFACES OF STRUCTURE(S) SHALL BE COATED WITH IMRAE COATMASTERS 7007.
- STRUCTURES TO BE STENCILED, "JENSEN PRECAST", WITH "TIME" AND "DATE OF POUR", AND SDGE STOCK NUMBER ON EXTERIOR AND INTERIOR WALLS.
- FOR COMPLETE DESIGN AND PRODUCT INFORMATION CONTACT JENSEN PRECAST.

CROSS REFERENCE	
JENSEN PART No.	SHORT DESCRIPTION
100012989	3315 60" base
100012174	3315 12" Top section with frame
200044340	3315 Intermediate 12"
100010460	3315 Complete Parkway Kit
100036558	3315 Frame with hinged aluminum covers

BILL OF MATERIALS

ITEM	UNIT QTY	QTY	PART NUMBER	DESCRIPTION	MASS (lb)
1	1	1	100012174	Riser 4878x12 Rect. Riser Cast-In Frame SDGE 3315	1722
2	1	1	100012989	Vault 4878x60 Rect. Bottom Section Terminators Sump SDGE 3315	11546
3	1	1	100036558	COVER 4878 BI-METAL 4878-P SDGE SP S636040 MADRUGA	285
4	5.250 gal	5.250 gal	100038043	COATING WATERPROOFING CoatMasters CM7007 IMRAE	
5	1.000 ul	1.000 ul	100005749	SEALANT JOINT BUTYL RUBBER ASTM C-990 AND M198 CS-102 1IN EQUIV X14.5FT PER BOX 118FT	

48"x78" DROP-IN FRAME & COVER,
ALUM SLIP-RESISTANCE PLATE
HINGED, GALV., S.S. HARDWARE
(PARKWAY)



ISO VIEW

LIFTING NOTES

- FIELD INSTALLATION: PLANT DEMOLING: MINIMUM HANDLING CONCRETE STRENGTH F_c = 5500 PSI RIGGING EQUALIZER REQUIRED TO EQUALIZE LOAD TO 4 LIFTING POINTS WITH A SLING ANGLE BETWEEN 60° AND 90°

BURY DEPTH:	0.0' - 0.0' to Top
WATER LEVEL:	3.0'
DESIGN SPEC:	ASTM C857, ACI 318
AGENCY:	SDGE
WEIGHT:	13553.2 Lbs
LOADING SPEC:	A-16 (AASHTO HS20-44)
AGENCY SPEC:	3315

JENSEN PRECAST EST. 1968
WWW.JENSENPRECAST.COM

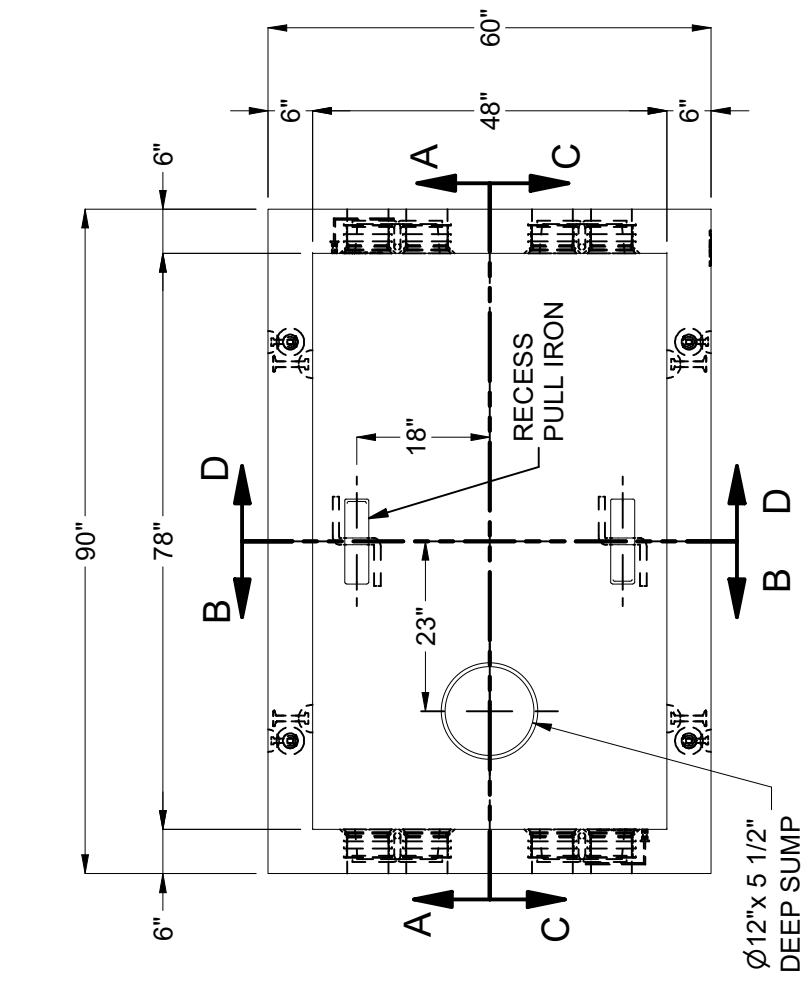
©2019 Jensen Precast. All rights reserved. All materials appearing as Jensen Precast documents and the like are proprietary work product and are protected under U.S. copyright and other laws. Unless in conjunction with business conducted with Jensen Precast, any use of Jensen Precast work product without express, written consent is prohibited, and recipient is prohibited from distributing any and all work product to non-approved third parties under penalty of civil action.

REVISION HISTORY

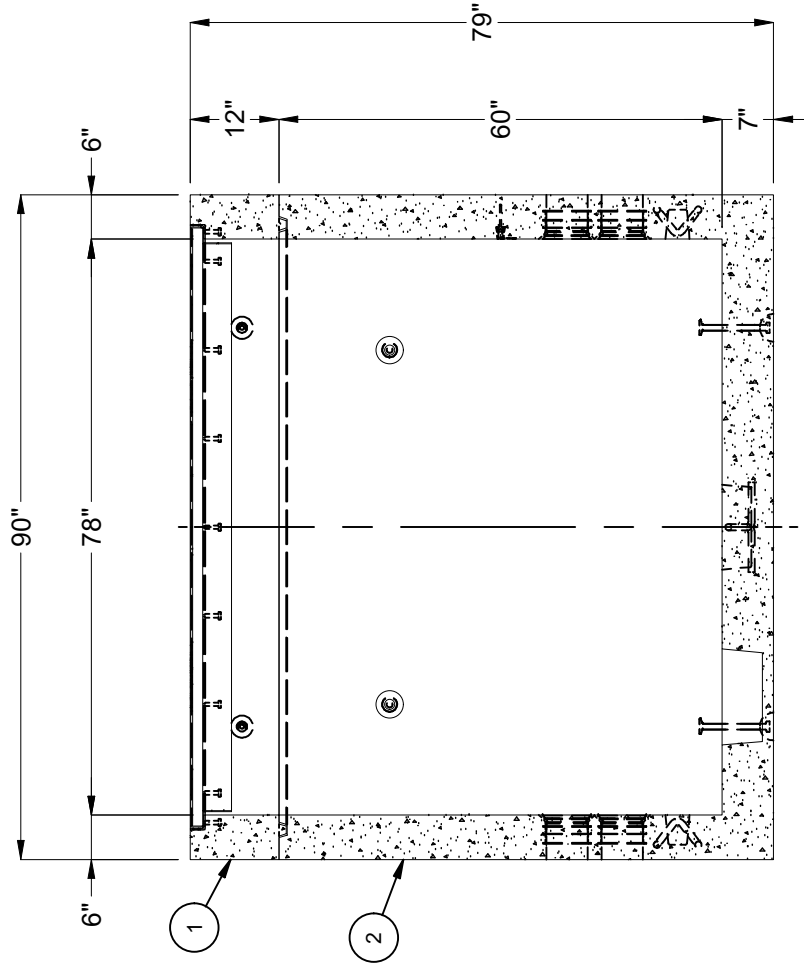
REV	DESCRIPTION	DATE	APPROVED
B-1	INITIAL RELEASE	7/22/2021	

DESCRIPTION:	Pull Box 4878 Layout Assembly SDGE 3315 Ext. Coating - Waterproof IMRAE CM7007
PART NUMBER:	100010460
CREATED:	9/28/2020
REV:	B-2
SHEET:	2
1 OF 2	

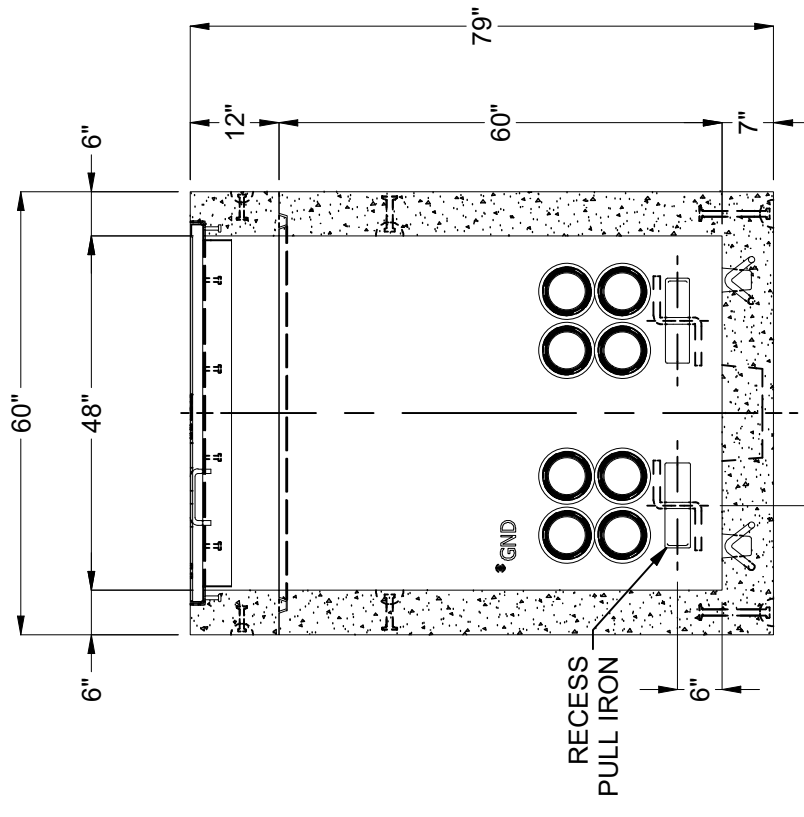
LAYOUT REVIEW	J. Prado
DRAWN BY:	J. Prado
MODIFIED:	7/22/2021



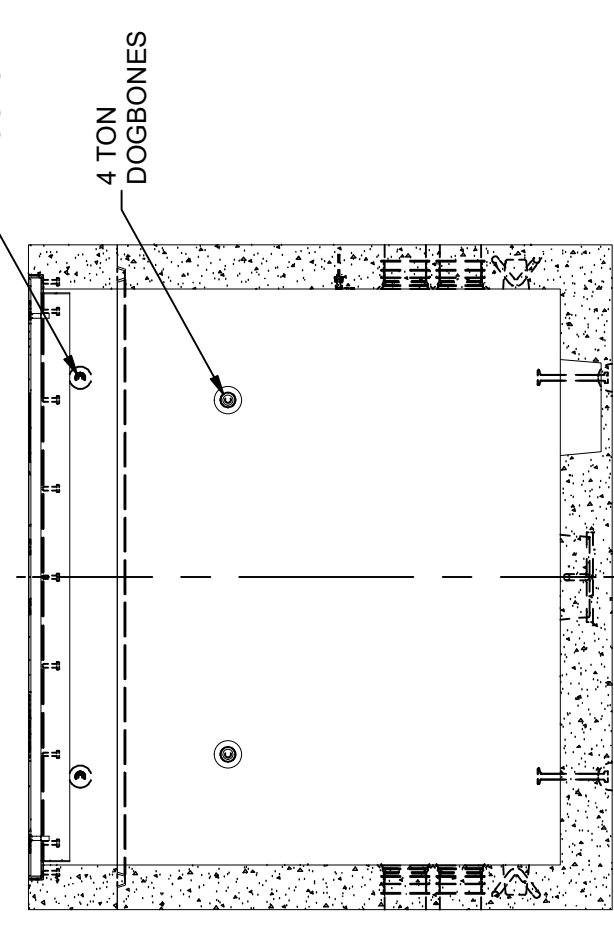
PLAN VIEW



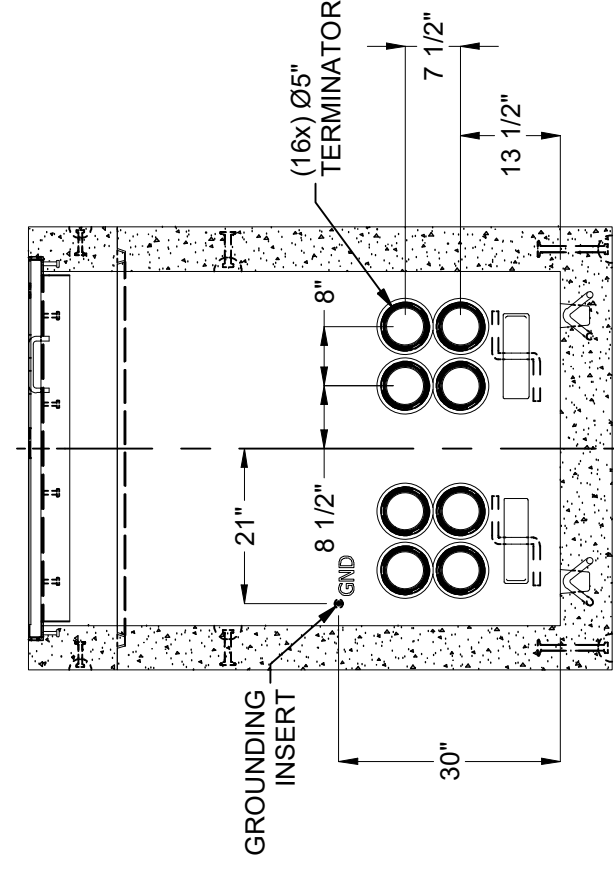
SECTION A-A



SECTION B-B



SECTION C-C



SECTION D-D

BURY DEPTH:	0.0' - 0.0' to Top		
WATER LEVEL:	3.0'	WEIGHT:	13553.2 Lbs
DESIGN SPEC:	ASTM C857, ACI 318	LOADING SPEC:	A-16 (AASHTO HS20-44)
AGENCY:	SDGE	AGENCY SPEC:	3315

JENSEN PRECAST EST. 1968
 WWW.JENSENPRECAST.COM

©2019 Jensen Precast. All rights reserved. All materials appearing as Jensen Precast documents and the like are proprietary work product and are protected under U.S. copyright and other laws. Unless in conjunction with business conducted with Jensen Precast, any use of Jensen Precast work product without express, written consent is prohibited, and recipient is prohibited from distributing any and all work product to non-approved third parties under penalty of civil action.

DESCRIPTION:	Pull Box 4878 Layout Assembly SDGE 3315 Ext. Coating - Waterproof IMRAE CM7007		
PART NUMBER:	100010460	LAYOUT DRAWING	DRAWN BY: J. Prado
CREATED:	9/28/2020	MODIFIED:	7/22/2021

100010460.rpt