

4'-0" x 6'-6" TRAFFIC HINGE PULL BOX x 48" DEEP

MATERIAL LIST

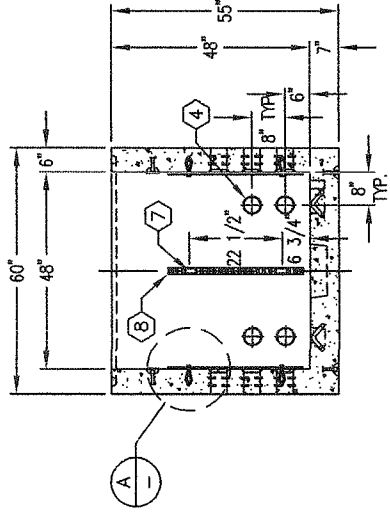
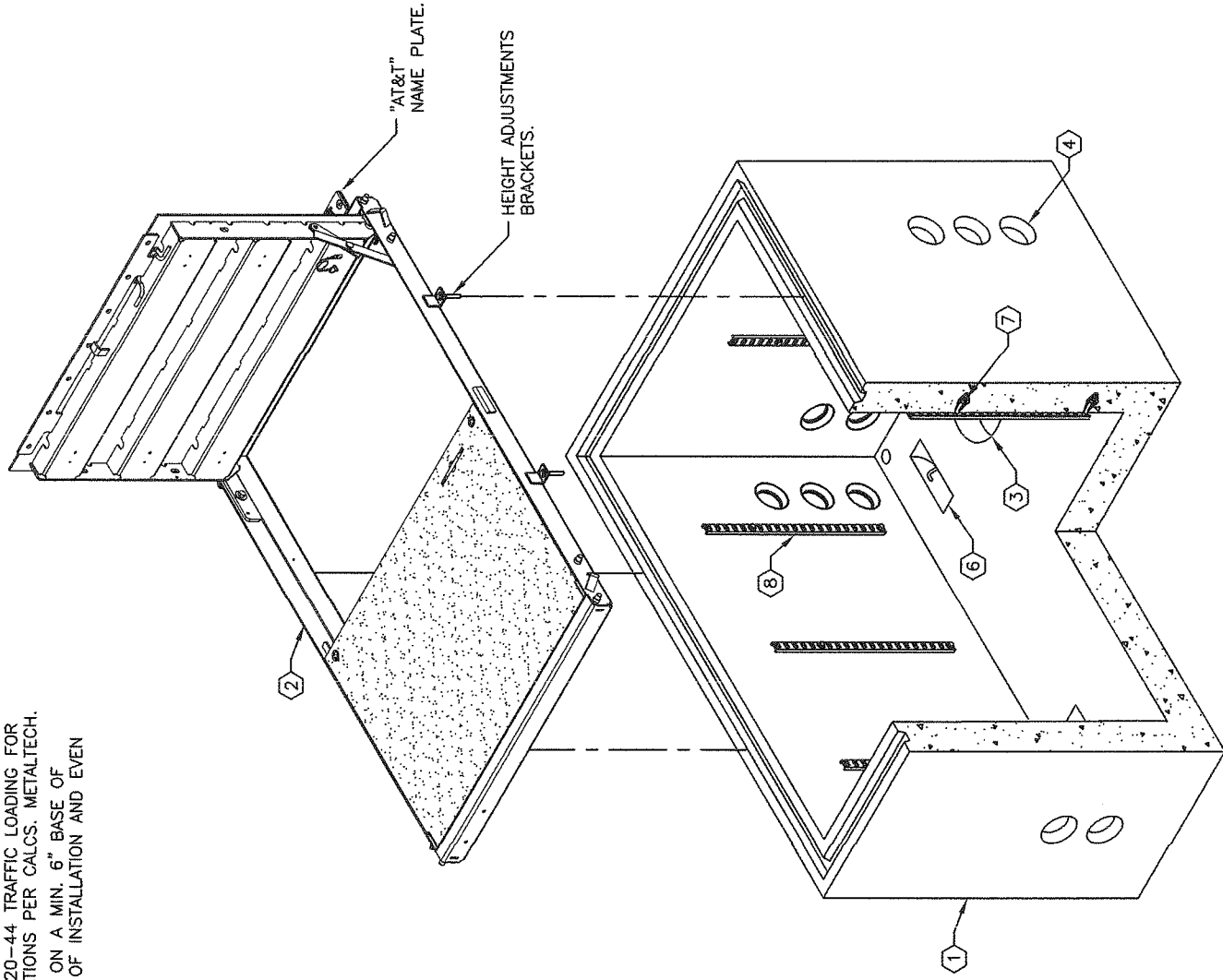
ITEM	PART NO.	DESCRIPTION	CAGE NO./ LOCATE	WEIGHT/ MOUNT
1	PB-466-B48-14	48" BOTTOM SECTION	CG-466-B48-14	10,200 lbs 2.51 CY.
2	CA-466-TPSRSA-14	4' x 6'-6", 2 PIECE NON-SUP. TRAFFIC, TORSION, HINGED, AT&T NAME PLATE		724 lbs
3		PLATE PAINTED DOORS, GALV. FRAME, ADJUSTABLE		
3		6" x 7" DIA. SUMP x 3 1/2" DEEP	BOTTOM SECTION	(1) CORE
4	55-30-43	4" DIA. BLK. TERMINATOR 4.35"-4.5" I.D. STEPPED W/WIPER	BOTTOM SECTION	(20) CORE MTD.
5		2" DIA. BLIND GROUND ROD K.O.	BOTTOM SECTION	(2) CORE
6	55-35-06	7/8" DIA. x 8" GALV. PULL IRON	BOTTOM SECTION	(4) CORE
7	55-10-424	1/2" PLASTIC RACKING INSERT	BOTTOM SECTION	(16) CORE MTD.
8	18-10-24	24 HOLE CABLE RACK FLUSH MOUNT	BOTTOM SECTION	(8) 3 PER SIDE, 1 ON END.
9	55-20-203	2 TON x 3 3/8" GALV. DOGBONE ANCHORS FOR HANDLING	BOTTOM SECTION	(4) CORE SURFACE MTD.

NOTES:

- VAULT IS DESIGNED PER ASTM C857 LOAD DESIGNATION A16 (AASHTO HS-20-44) TRAFFIC LOADING, USING 5,500 PSI CONCRETE AND ASTM A706 GR. 60 STEEL REINFORCEMENT PER CALCS. # 33211.
- COVER DESIGNED FOR H-20-44 TRAFFIC LOADING FOR USE IN OFF-STREET LOCATIONS PER CALCS. METALTECH.
- PULL BOX TO BE PLACED ON A MIN. 6" BASE OF CRUSHER RUN FOR EASE OF INSTALLATION AND EVEN LOAD DISTRIBUTION.

MINIMUM EXCAVATION SIZE:
6'-0" x 8'-6" x DEPTH REQ'D.

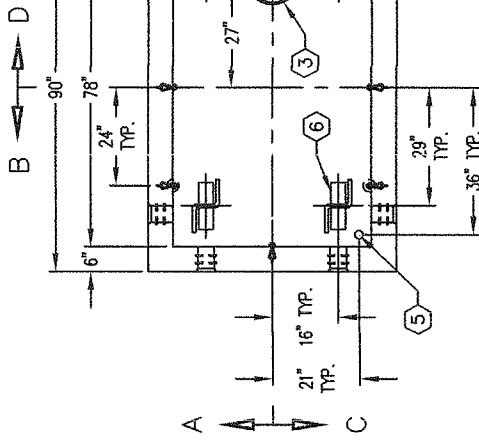
DESCRIPTION	AT&T QIN#	LENSON P/N#
4' x 6'-6" x 4" INTERCEPT PULL BOX, NON-SUP., TRAFFIC, TORSION, HINGED.	100061898	K466-FP48-TSA-14



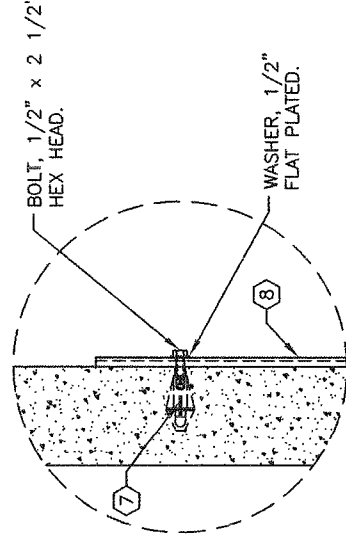
SECTION A-A

SECTION B-B

SHOW CABLE RACK

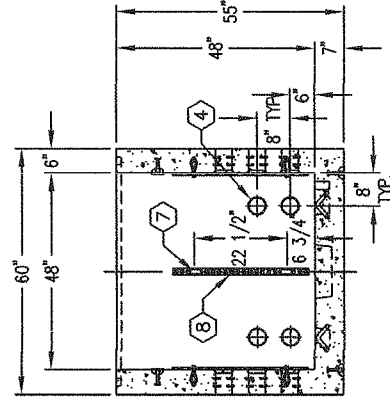


PLAN VIEW



DETAIL A

SHOWN CABLE RACK TYP.



SECTION C-C

SECTION D-D

DATE	REVISION	CHECKED BY
04-28-16	J.MERCAO	
#	DESCRIPTION	BY
A	RELEASED FOR PROD.	JM