

NOTES:

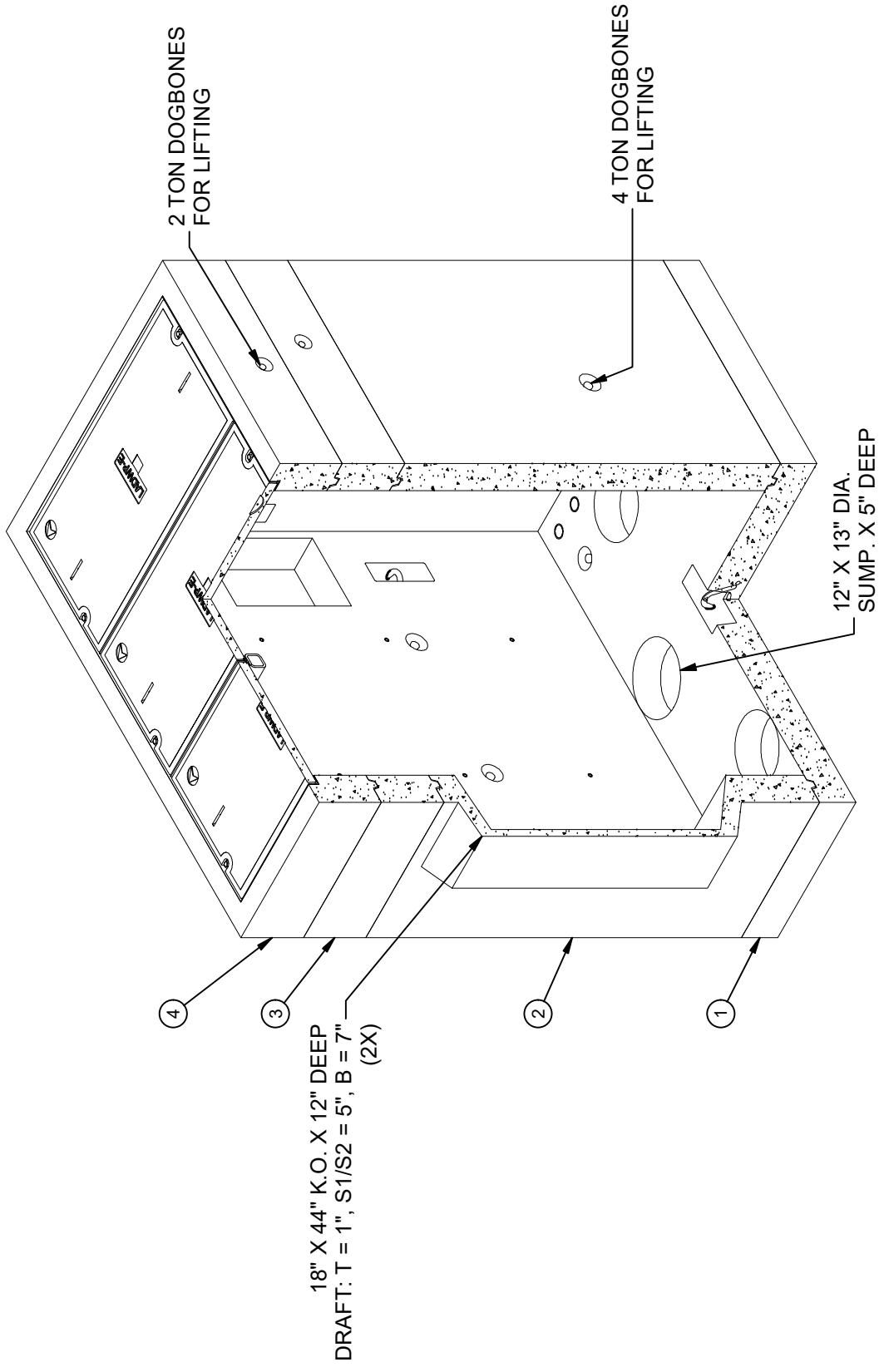
- STANDARDS. AASHTO LRFD BRIDGE DESIGN SPECIFICATIONS, 8TH EDITION, WITH 2022 CALTRANS AMENDMENTS, CITY OF LOS ANGELES BUREAU OF ENGINEERING STANDARD PLAN S-601, LATEST, MANUAL PART H, ASTM C-857. STRUCTURAL CALCS: #33654.
- MATERIAL. CONCRETE, F_c=5,500 PSI. MIX TO INCLUDE FLY ASH. REINFORCEMENT PER ASTM A-706, F_y=60,000.
- LOADS. VERTICAL LIVE LOAD: 300 PSF. LIVE LOAD SURCHARGE: GREATEST OF: LA BOE PART H, FIGURE H 374.2A. MINIMUM 80 PSF (TO BOTTOM OF VAULT) OR LADWP P178 (104 PSF). SOIL LATERAL LOADS: 40 PCF (DRY), 81 PCF (SATURATED), SATURATED SOIL CONDITIONS 3'-0" BELOW GRADE. SOIL BEARING CAPACITY = 1,500 PSF. DESIGN SOIL DENSITY IS 120 PCF.
- LOADS NOT INCLUDED. DESIGN DOES NOT INCLUDE COOPER E-80 RAILROAD LOADS OR LATERAL OR SURCHARGE LOADS THAT ARE PRODUCED BY FOOTING OR FOUNDATIONS ADJACENT TO THE STRUCTURE. THIS SUBSTRUCTURE SHALL BE KEPT AT LEAST IN A 1:1 RATIO AWAY FROM ALL FOOTINGS AND FOUNDATIONS, UNLESS THE ENGINEER OF RECORD APPROVES IN WRITING.
- INSTALLATION. VAULT TO BE PLACED ON A MIN. 6" BASE OF CRUSHER RUN FOR EASE OF INSTALLATION AND EVEN LOAD DISTRIBUTION. BASE MATERIAL IN ACCORDANCE WITH SECTION 200-2 OF THE SSPWC (GREEN BOOK).
- END WALL KNOCKOUTS ARE INTENDED TO BE REMOVED. CONCRETE TO BE POURED/BACKFILLED FULL HEIGHT OF DUCTED ENDWALL KNOCKOUTS PER LADWP DIRECTION.
- INSTALLATION LIMITS. TOP OF VAULT SHALL BE AT GRADE.
- THIS VAULT CAN ACCOMMODATE 6,000 LBS EQUIPMENT ON BASE SLAB.
- EACH CONCRETE SECTION SHALL BE MARKED ON THE INSIDE & OUTSIDE WITH "JENSEN PRECAST", THE DESIGNATION "DWI/FA-CN", AND THE DATE OF THE POUR.
- EACH CONCRETE SECTION SHALL HAVE CAST-IN ON THE INSIDE "JENSEN", THE YEAR, AND THE DESIGNATION "FA-CN".
- EACH PIECE TO BE STENCILED WITH ITS PART NO.
- MINIMUM EXCAVATION SIZE: 6'-0" X 9'-9" X DEPTH REQ'D.
- ADDITIONAL SUBMITTAL, PERMIT AND CONSTRUCTION PLAN REVIEW WILL BE REQUIRED FOR EACH PROJECT LOCATION. SUBMIT TO CITY ENGINEERS FOR APPROVAL PRIOR TO START OF ANY CONSTRUCTION.
- ALL INSTALLATIONS SHALL COMPLY WITH ALL OTHER LOCAL GOVERNING CODES AND REGULATION INCLUDING CALIFORNIA PUBLIC UTILITIES COMMISSION REGULATIONS.

LIFTING NOTES

FIELD INSTALLATION: PLANT DEMOLITION: MINIMUM HANDLING CONCRETE STRENGTH F _c = 5500 PSI RIGGING EQUALIZER REQUIRED TO EQUALIZE LOAD TO 4 LIFTING POINTS WITH A SLURRY ANGLE BETWEEN 60° AND 90°	
BURY DEPTH:	0.0' - 0.0' to Top
WATER LEVEL:	3.0'
DESIGN SPEC:	AASHTO LRFD, ASTM C857
AGENCY:	LADWP
APPROX. WEIGHT:	16512.49 Lbs
LOADING SPEC:	AASHTO HL-93
AGENCY SPEC:	G-286 G1 REV-31

BILL OF MATERIALS

ITEM	UNIT QTY	QTY	PART NUMBER	DESCRIPTION	MASS (lb)
1	1	1	100009170	Vault 4878x7 Slab Bottom LADWP G-286 G1 REV-31	3065
2	1	1	100009269	Riser 4878x72 Knockout Ducted LADWP G-286 G-1 REV-31	9245
3	1	1	200076370	Riser 4878x12 LADWP G-286 G1 REV-31	1710
4	1	1	100010092	Top Riser 4878x12 Assembly LADWP G-286 G-1 REV-31	2488
5	1.000 ul	1.000 ul	100005749	SEALANT JOINT BUTYL RUBBER ASTM C-990 AND M198	
6	1	4	100002604	CS-102 1IN EQUIV X14.5FT PER BOX 118FT	
7	1	4	100003766	HEX NUT 3/4-10 UNC PLAIN	
8	1	4	100007136	BOLT HEX 3/4-10 UNC 6 PLAIN	
				WASHER FLAT 3/4 REGULAR TYPE A ZINC	



ISO VIEW

REVISION HISTORY

REV	DESCRIPTION	DATE	APPROVED
F-1	UPDATE LOADING SPEC	10/6/2023	

DESCRIPTION: Vault Layout 4878x96 Sump LADWP G-286 G1 REV-31

REV: F-1

SHEET: 47

1 OF 3

LAYOUT REVIEW

DRAWN BY: D. Mejia

MODIFIED: 10/6/2023

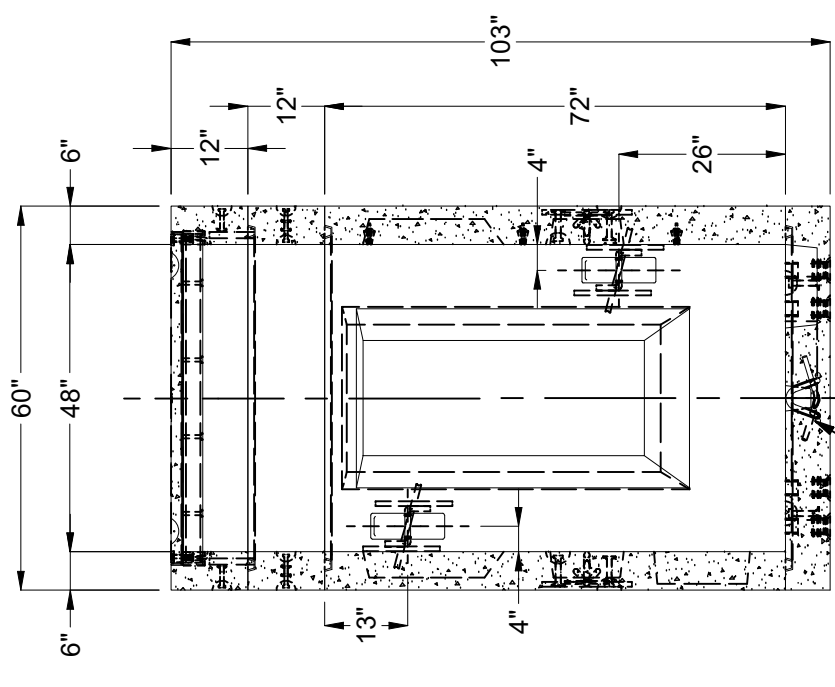


EST. 1968

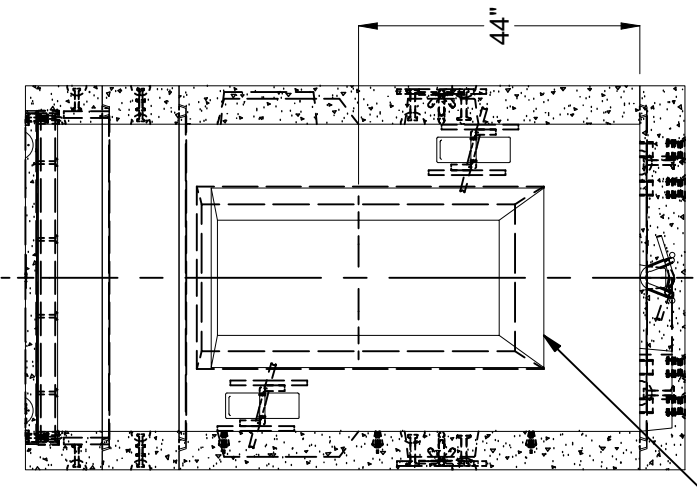
WWW.JENSENPRECAST.COM

©2023 Jensen Precast. All rights reserved. All materials appearing as Jensen Precast documents and the like are proprietary work product and are protected under U.S. copyright and other laws. Unless in conjunction with business conducted with Jensen Precast, any use of Jensen Precast work product without express, written consent is prohibited, and recipient is prohibited from distributing any and all work product to non-approved third parties under penalty of civil action.

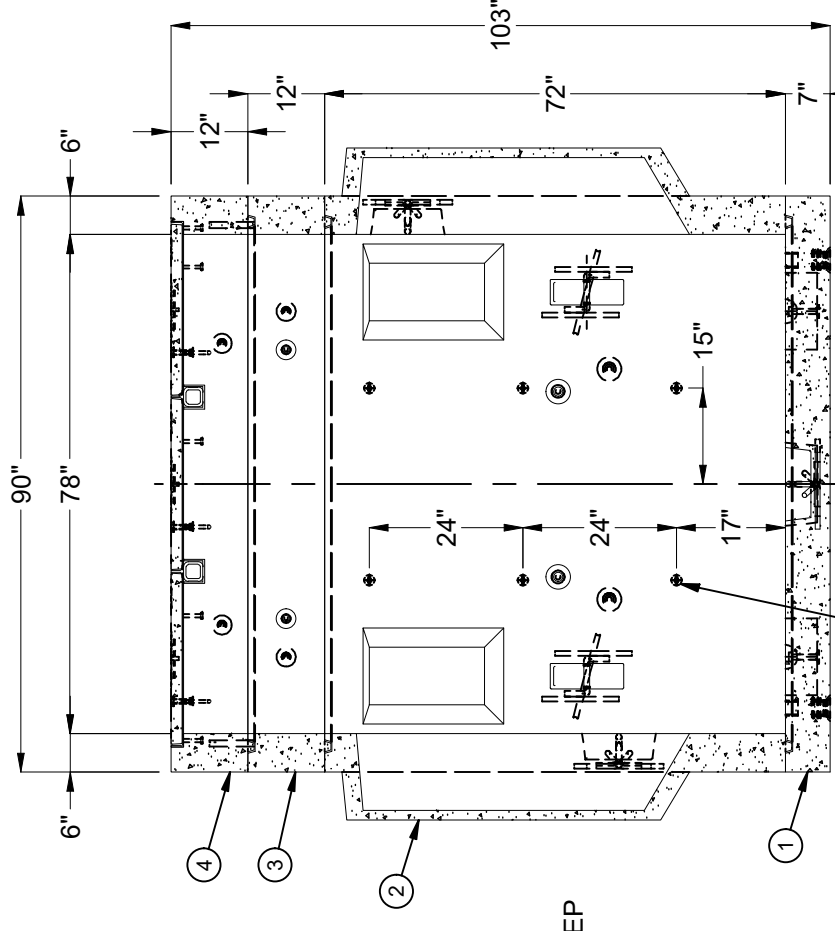
100010470.rvt



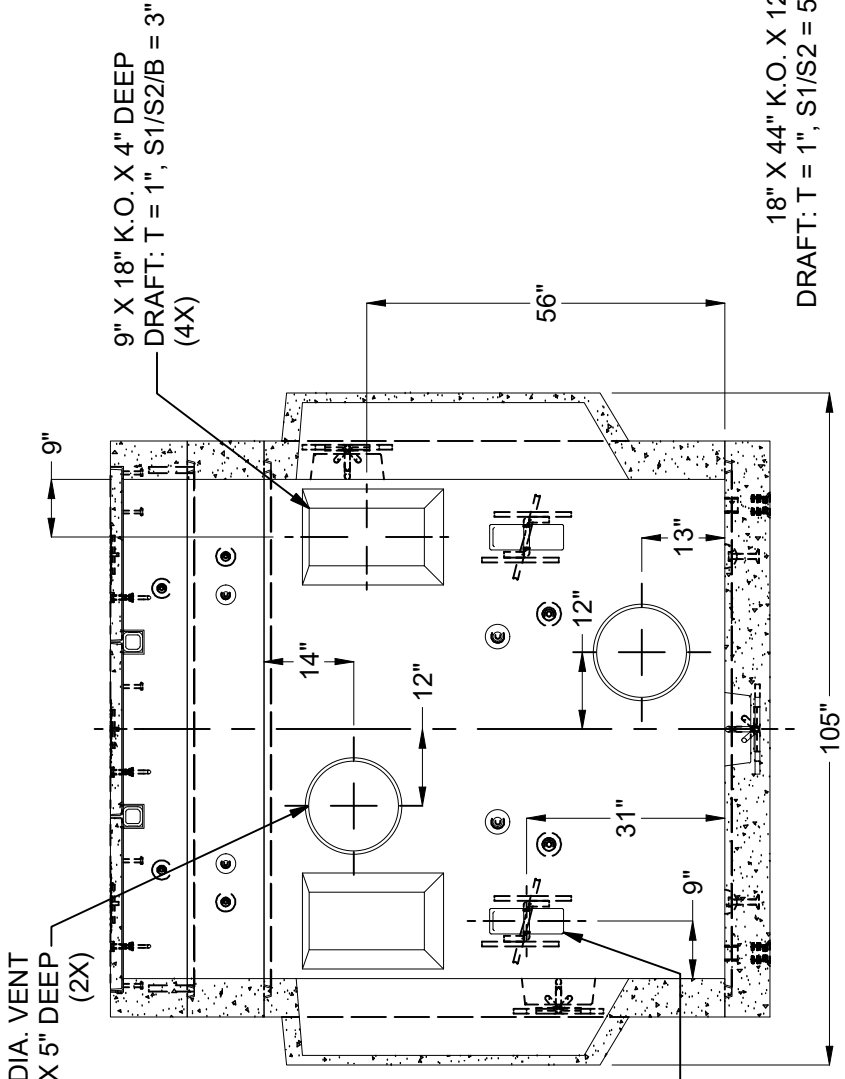
SECTION B-B
7/8" DIA. STAINLESS STEEL PULL IRON



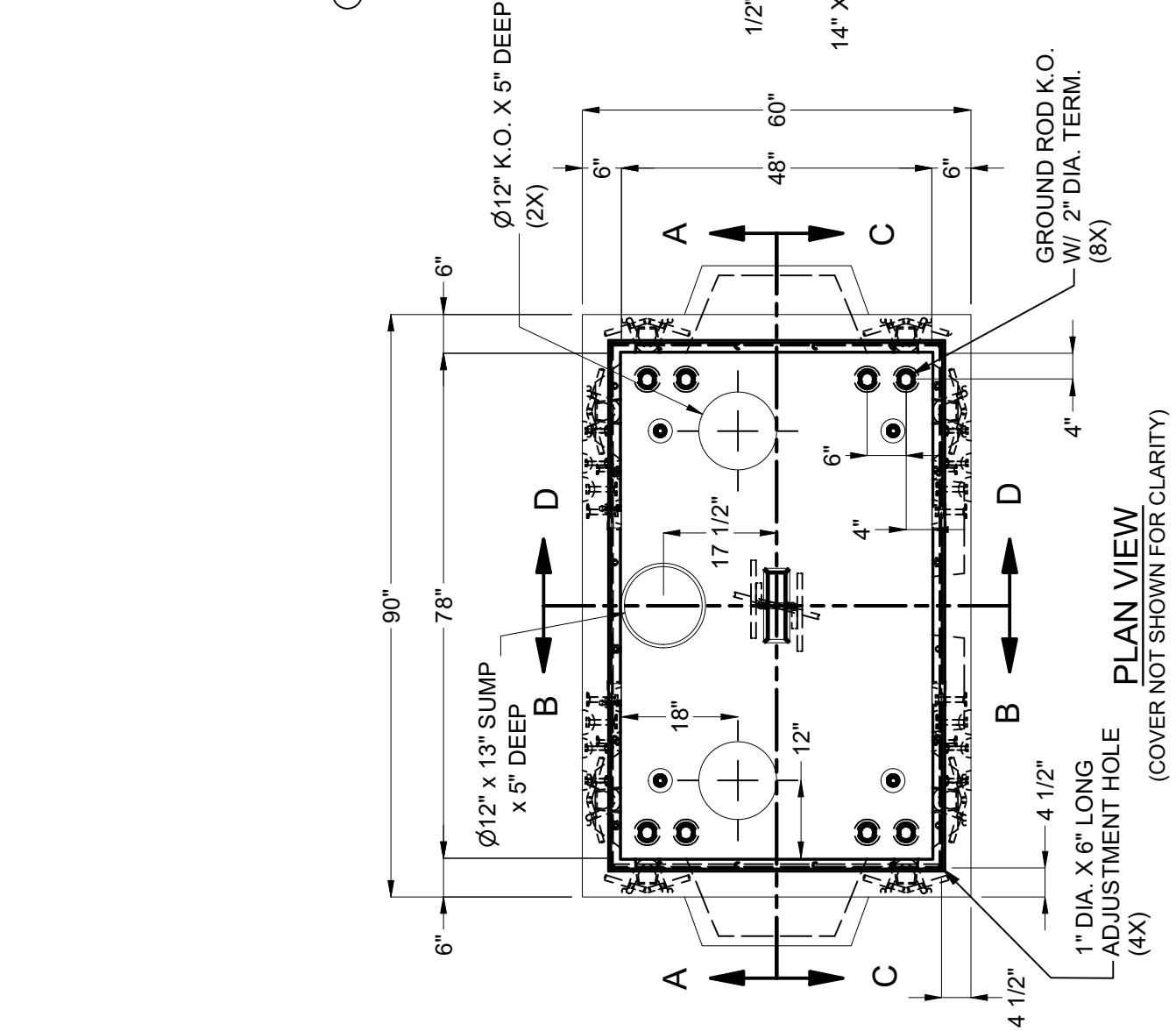
SECTION D-D
18" X 44" K.O. X 12" DEEP DRAFT: T = 1", S1/S2 = 5", B = 7" (2X)



SECTION A-A
1/2" PLASTIC INSERTS (6X)
14" X 15" DIA. VENT K.O. X 5" DEEP (2X)



SECTION C-C
9" X 18" K.O. X 4" DEEP DRAFT: T = 1", S1/S2/B = 3" (4X)
7/8" DIA. PULL IRON (8X)



PLAN VIEW
(COVER NOT SHOWN FOR CLARITY)

BURY DEPTH:	0.0' - 0.0' to Top	DESCRIPTION:	Vault Layout 4878x96 Sump LADWP G-286 G1 REV-31
WATER LEVEL:	3.0'	APPROX. WEIGHT:	16512.49 Lbs
DESIGN SPEC:	AASHTO LRFD, ASTM C857	LOADING SPEC:	AASHTO HL-93
AGENCY:	LADWP	AGENCY SPEC:	G-286 G1 REV-31
		LAYOUT DRAWING	
		DRAWN BY:	D. Mejia
		PART NUMBER:	100010470
		CREATED:	6/27/2019
		MODIFIED:	10/6/2023
<p>©2023, Jensen Precast. All rights reserved. All materials appearing as Jensen Precast documents and the like are proprietary work product and are protected under U.S. copyright and other laws. Unless in conjunction with business conducted with Jensen Precast, any use of Jensen Precast work product without express, written consent is prohibited, and recipient is prohibited from distributing any and all work product to non-approved third parties under penalty of civil action.</p>			
		WWW.JENSENPRECAST.COM	