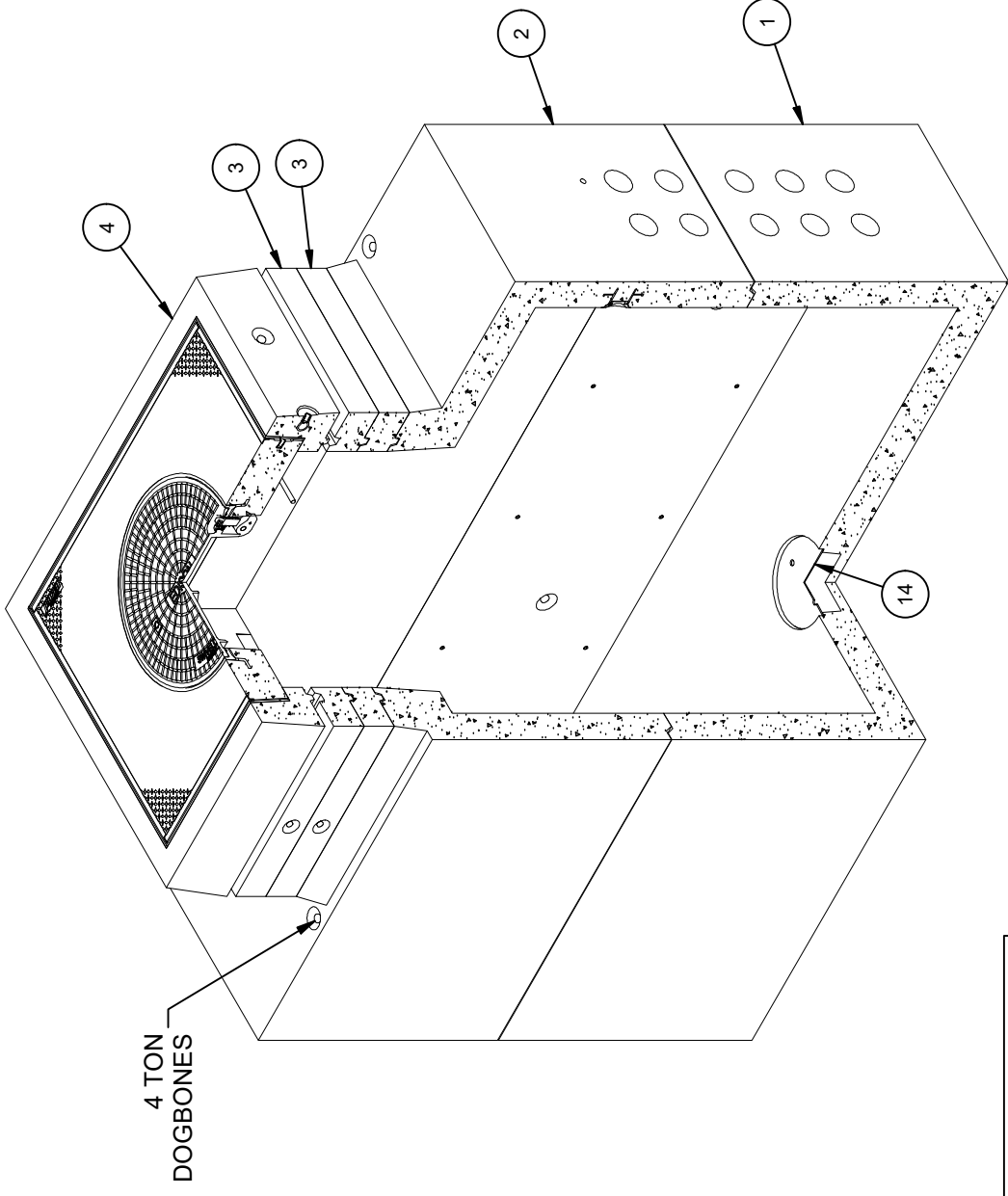


DESIGN NOTES

- DESIGNED IN ACCORDANCE WITH AASHTO HS20-44 TRAFFIC BRIDGE LOADING USING 5,500 PSI COMPRESSIVE STRENGTH CONCRETE AND 60,000 PSI YIELD STRENGTH ASTM A-706 STEEL REINFORCEMENT PER CALCS. #33271.
- COVER DESIGNED FOR TRAFFIC LOADING.
- MINIMUM EXCAVATION SIZE: 7'-0" X 12'-6" X DEPTH REQ'D.
- VAULT TO BE PLACED ON A MIN. 6" BASE OF CRUSHER RUN FOR EASE OF INSTALLATION AND EVEN LOAD DISTRIBUTION.
- CONCRETE MIX USED IN POURING THIS PRODUCT SHALL USE FLY ASH AS AN ADMIXTURE.
- ALL PARTS TO BE STENCILED: MFG DATE / JOB NUMBER / PRODUCT ID / WEIGHT.
- FINISH COATING: ALL INTERIOR WALLS AND CEILING SHALL BE PAINTED WHITE.
- FOR COMPLETE DESIGN AND PRODUCT INFORMATION CONTACT JENSEN PRECAST.

BILL OF MATERIALS

ITEM	UNIT QTY	QTY	PART NUMBER	DESCRIPTION	MASS (lb)
1	1	1	200019213	Vault 60126x42 Rect. Bottom Section Terminators Sump Edison UGS SS590	14509
2	1	1	100009382	Vault 60126x42 Rect. Top Section 48"x60"C Terminators Edison UGS VA 410	13781
3	1	2	200012851	Riser 4860x6 LADWP 1-802 2B	1169
4	1	1	200040425	Vault Neck and Plug Cover Assembly 4860x12 30"C Edison UGS VA 470 & FC 641 Swiveloc	4046
5	1	4	100009239	ROD THREADED COIL YELLOW DIP 3/4 X 10-1/2"	
6	1	8	100007136	WASHER FLAT 3/4 REGULAR TYPE A ZINC	
7	1	8	100007010	HEX COIL NUT 3/4-4.5 POST YELLOW DIP	
8	1	1	100005672	LADDER HOOKED GALV 10FT-6IN ED/LA I3382	
9	1	4	100022758	GROUND ANCHOR BRACKET KIT HALO HB304R	
10	1	4	100004320	BOLT HEX 1/2-13 UNC 1 304SS	
11	1	4	100013515	CHAIN 1/2 7-1/2FT GR-30 (FIELD CUT)	
12	1	4	100009367	SHACKLE 5/8IN W/3/4 COTTER PIN GALV	
13	1	4	100009368	TURNBUCKLE CLEVIS-TO-CLEVIS 3/4 THREADED GALV	
14	1	1	100006783	SUMP COVER FOR 13"SUMP(15"OD)GALV DIA PLATE	
15	3.000 gal	3.000 gal	100006420	COATING PAINT LATEX WHITE	
16	1	1	100008798	ADHESIVE SIKADUR 31 HI-MOD GEL	
17	1.000 ul	1.000 ul	100005749	SEALANT JOINT BUTYL RUBBER ASTM C-990 AND M198 CS-102 1IN EQUIV X14.5FT PER BOX 118FT	



ISOMETRIC VIEW

LIFTING NOTES

- THIS CONCRETE PRODUCT IS DESIGNED TO BE LIFTED WITH (4) EQUALLY LOADED RIGGINGS LEGS MIN. 60° SLING ANGLE, MEASURED FROM HORIZONTAL.
- | | |
|-----------------|-----------------------|
| BURY DEPTH: | 1.5' - 4.0' to Top |
| WATER LEVEL: | 3.0' |
| DESIGN SPEC: | ACI 318,ASTM C857 |
| AGENCY: | Edison |
| APPROX. WEIGHT: | 34781.81 Lbs |
| LOADING SPEC: | A-16 (AASHTO HS20-44) |
| AGENCY SPEC: | UGS VA 410, 510 |



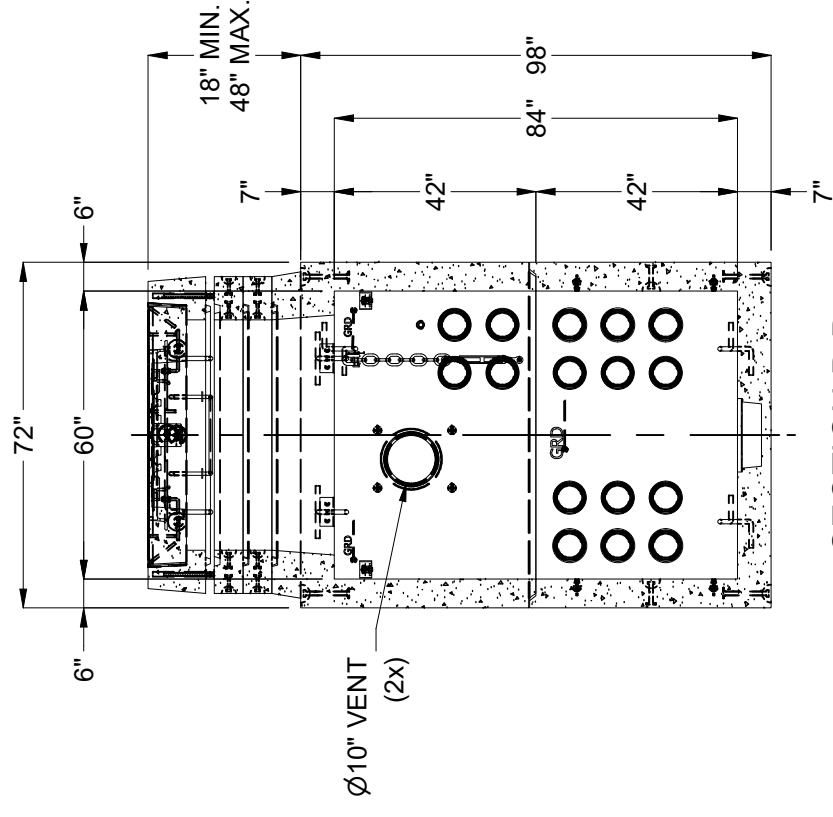
WWW.JENSENPRECAST.COM

©2024 Jensen Precast-All rights reserved. All materials appearing as Jensen Precast documents and the like are proprietary work product and are protected under U.S. copyright and other laws. Unless in conjunction with business conducted with Jensen Precast, any use of Jensen Precast work product without express, written consent is prohibited, and recipient is prohibited from distributing any and all work product to non-approved third parties under penalty of civil action.

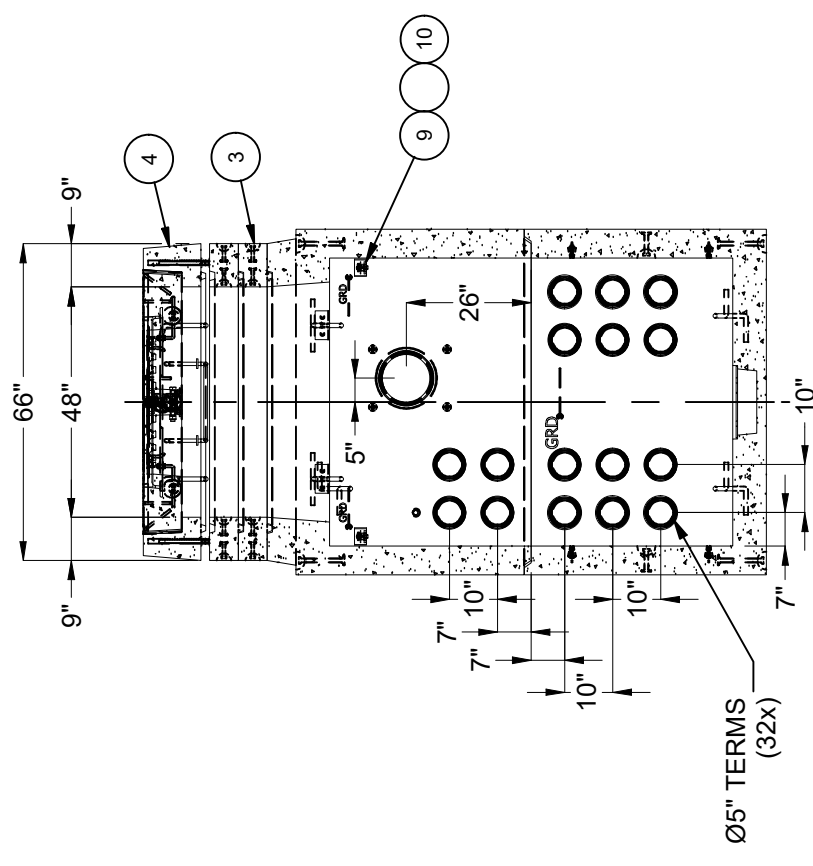
REVISION HISTORY

REV	DESCRIPTION	DATE	APPROVED
B-1	INITIAL RELEASE INVENTOR	6/11/2024	

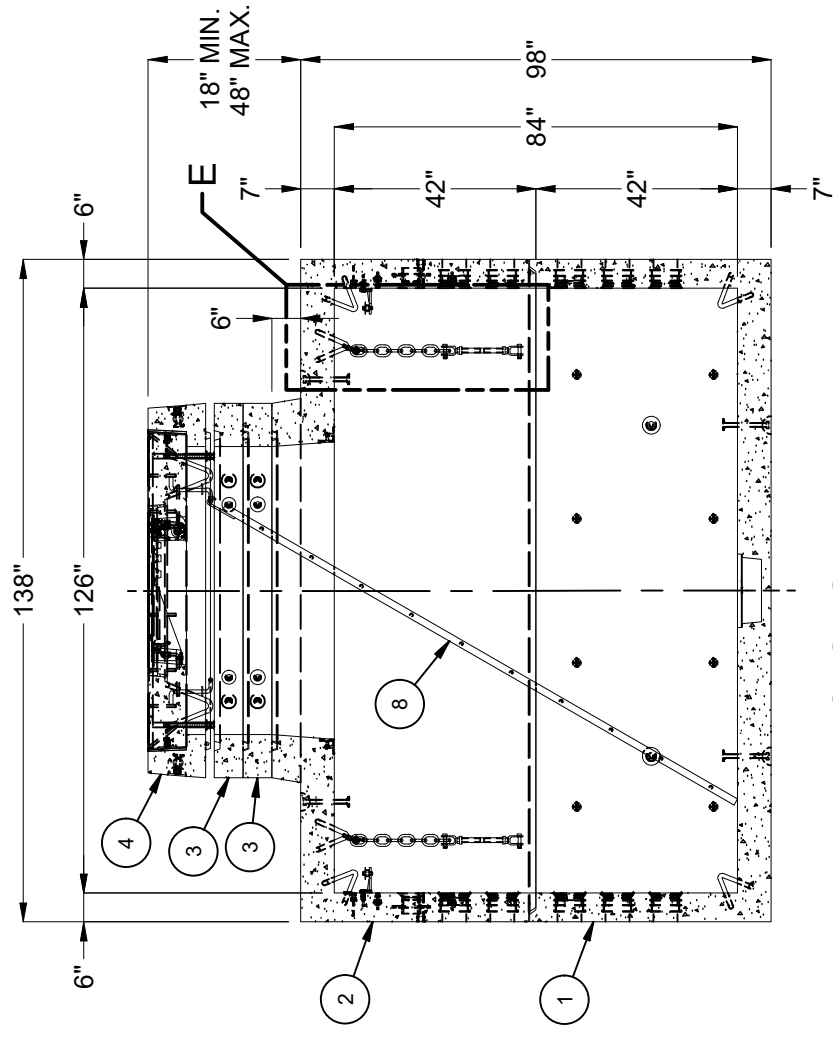
DESCRIPTION:	Vault Layout 60126x84 Terminators Sump 30"C Edison UGS VA 410, 510 Int. Paint - White Latex
PART NUMBER:	100010484
CREATED:	5/24/2019
REV:	B-1
SHEET:	1 OF 2
DRAWN BY:	J. Prado
MODIFIED:	6/11/2024



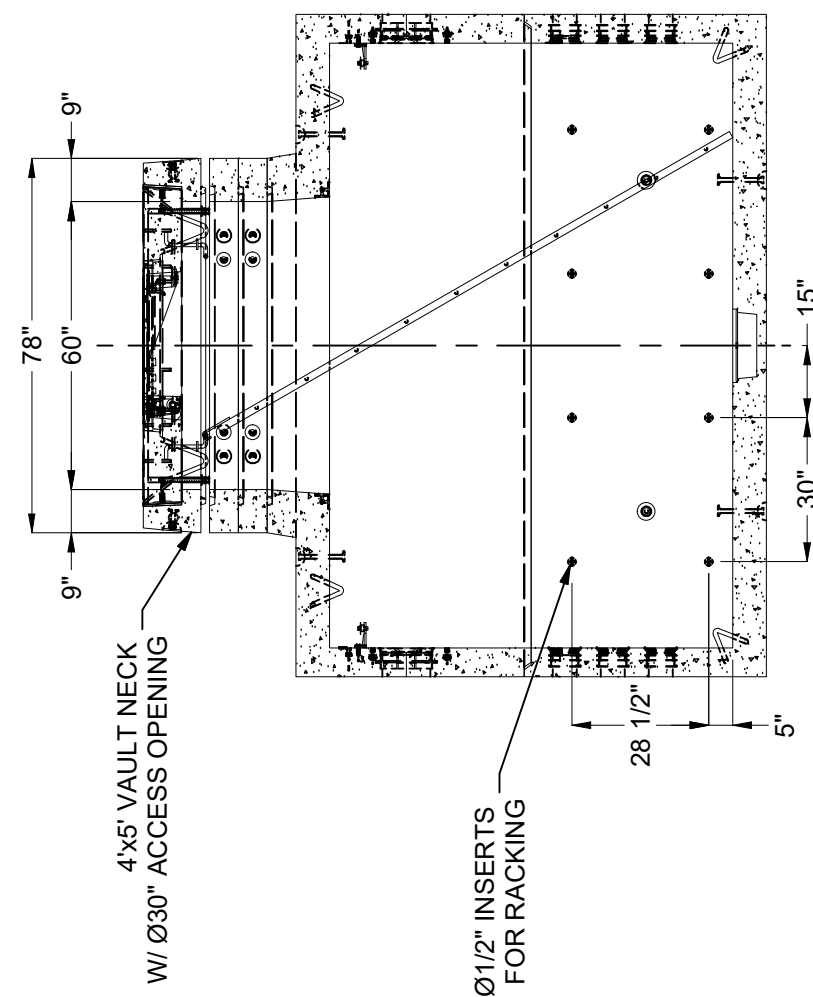
SECTION B-B



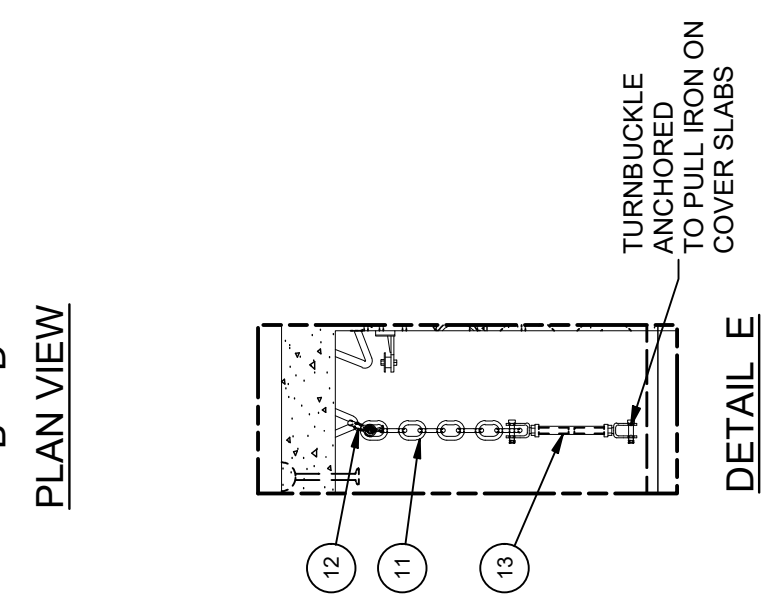
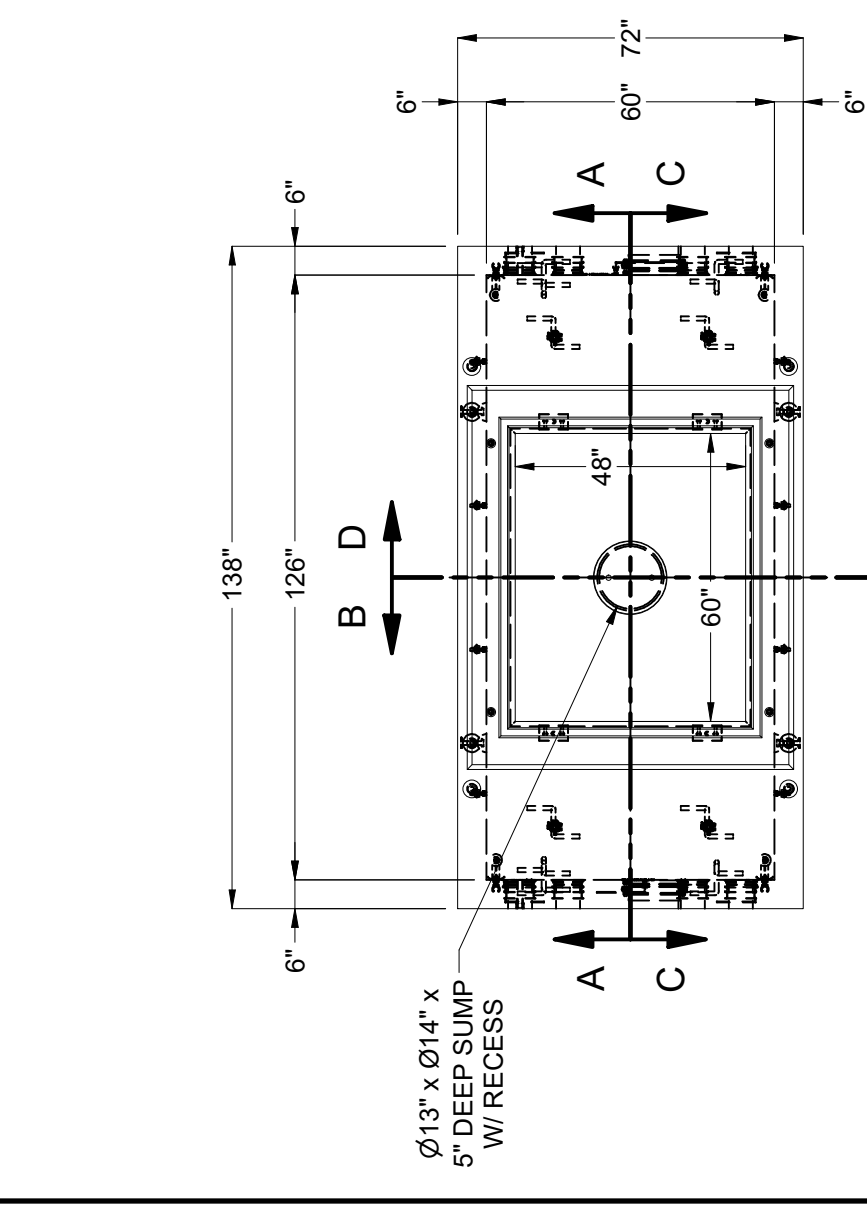
SECTION D-D



SECTION A-A



SECTION C-C



BURY DEPTH:	1.5' - 4.0' to Top	DESIGN SPEC:	ACI 318, ASTM C857	AGENCY:	Edison
WATER LEVEL:	3.0'	LOADING SPEC:	A-16 (AASHTO HS20-44)	DESIGN SPEC:	UGS VA 410, 510
APPROX. WEIGHT:	34781.81 Lbs	AGENCY SPEC:		LOADING SPEC:	
1.5' - 4.0' to Top		WWW.JENSENPRECAST.COM			
EST. 1968		JENSEN PRECAST			
<p>©2024 Jensen Precast. All rights reserved. All materials appearing as Jensen Precast documents and the like are proprietary work product and are protected under U.S. copyright and other laws. Unless in conjunction with business conducted with Jensen Precast, any use of Jensen Precast work product without express, written consent is prohibited, and recipient is prohibited from distributing any and all work product to non-approved third parties under penalty of civil action.</p>					
DESCRIPTION:	Vault Layout 60126x84 Terminators Sump 30°C Edison UGS VA 410, 510 Int. Paint - White Latex				
REV:	B-1	LAYOUT DRAWING	DRAWN BY: J. Prado		
SHEET:	85	PART NUMBER:	100010484	CREATED:	5/24/2019
	2 OF 2	MODIFIED:	6/11/2024		