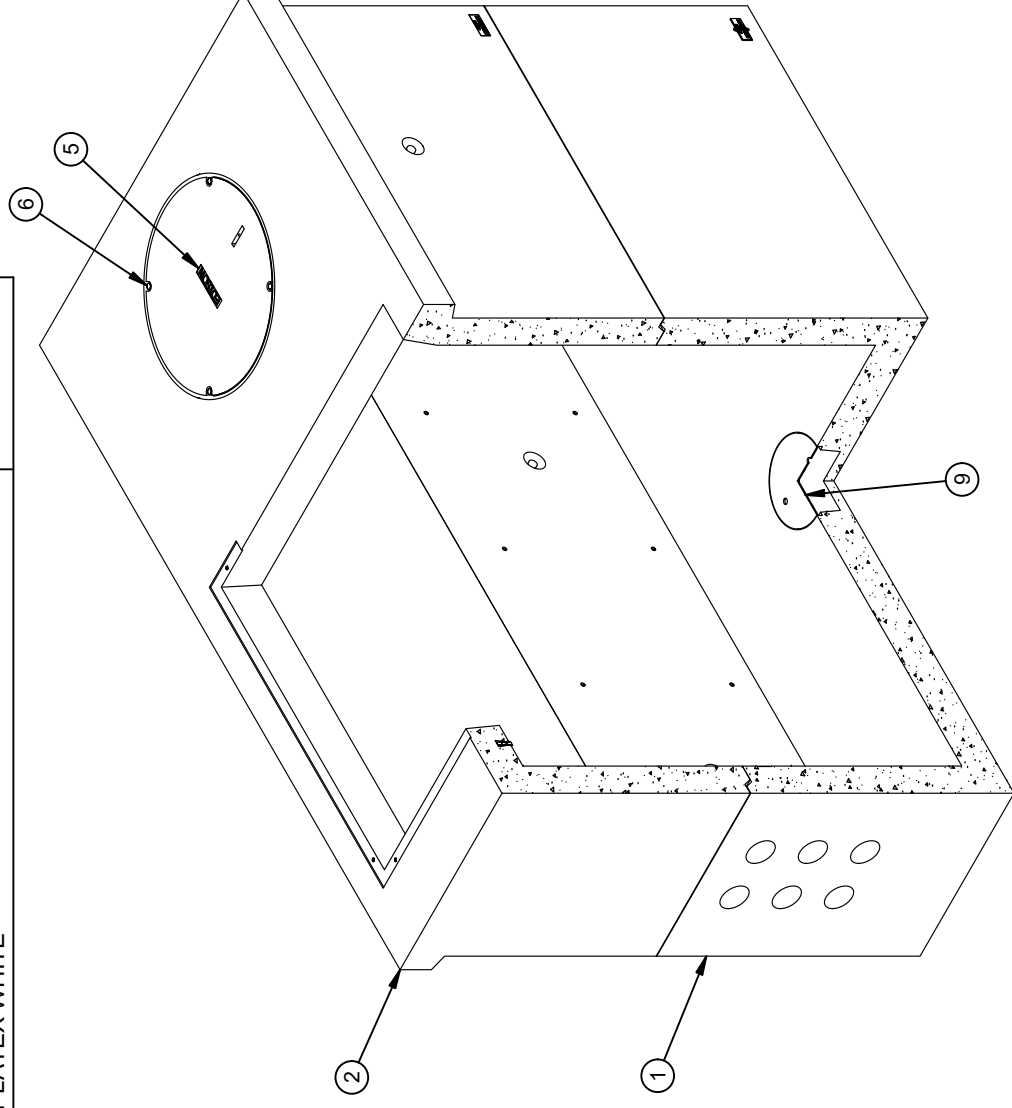


BILL OF MATERIALS

ITEM	UNIT QTY	QTY	PART NUMBER	DESCRIPTION	MASS (lbs)
1	1	1	200019213	Vault 60126x42 Rect. Bottom Section Flat EDISON UGS SS590	14509
2	1	1	100012367	Vault 60126x42 Rect. Top Section 30 EDISON UGS SS590	12364
3	1	1	100012274	Temporary Cover Pad 6969x4 EDISON UGS SS590	1928
4	1	1	100006768	650 PMH STEEL ADAPTER PLATE	55
5	1	1	100007021	COVER 30DIA RPM 1106 EDISON	69
6	1	4	100008106	PENTA BOLT 5/8X1-1/2 W/CAPWASH	
7	1	2	100007121	BOLT HEX SOCKET FLAT COUNTERSUNK HEAD 3/8-16 UNC 1 304SS	
8	1	6	100004043	BOLT HEX 1/2-13 UNC 1.50 316SS	
9	1	1	100006783	SUMP COVER FOR 13"SUMP (15"OD)GALV DIA PLATE	
10	1	4	100022758	GROUND ANCHOR BRACKET KIT HALO HB304R	
11	1	1	100007108	GASKET 3/8 DIA NEOPRENE ONE PIECE	
12	1	4	100007134	WASHER FLAT 1/2 REGULAR TYPE A 316SS	
13	1	4	100004023	BOLT HEX 1/2-13 UNC 1 316SS	
14	1,000 ul	1,000 ul	100005749	SEALANT JOINT BUTYL RUBBER ASTM C-990 AND M198 CS-102 1IN EQUIV X14.5FT PER BOX 118FT	
15	2,500 gal	2,500 gal	100006420	COATING PAINT LATEX WHITE	

NOT SHOWN



ISO VIEW

LIFTING NOTES	
■ THIS CONCRETE PRODUCT IS DESIGNED TO BE LIFTED WITH (4) EQUALLY LOADED RIGGINGS LEGS MIN. 60° SLING ANGLE, MEASURED FROM HORIZONTAL.	
BURY DEPTH:	0.0' - 0.0' to Top of Section
WATER LEVEL:	3.0'
DESIGN SPEC:	ASTM C857
AGENCY:	EDISON
WEIGHT:	28960.36 Lbs
LOADING SPEC:	500 psf
AGENCY SPEC:	UGS SS 590



EST. 1968

WWW.JENSENPRECAST.COM

©2019 Jensen Precast. All rights reserved. All materials appearing as Jensen Precast documents and the like are proprietary work product and are protected under U.S. copyright and other laws. Unless in conjunction with business conducted with Jensen Precast, any use of Jensen Precast work product without express, written consent is prohibited, and recipient is prohibited from distributing any and all work product to non-approved third parties under penalty of civil action.

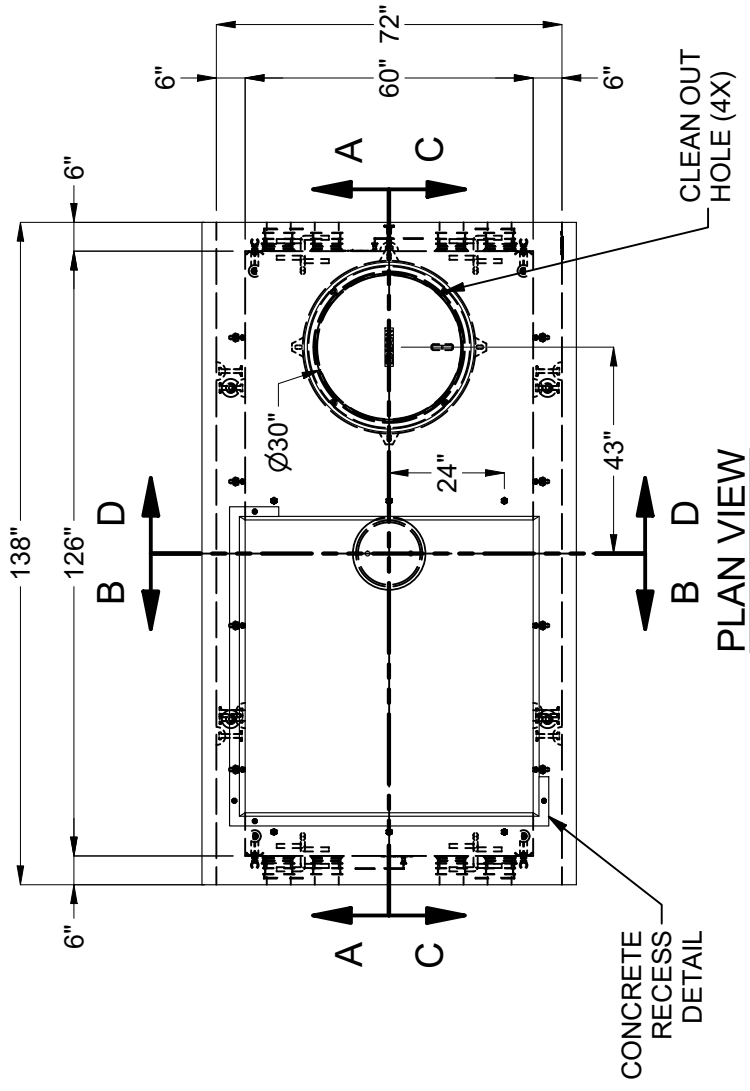
DESIGN NOTES

- DESIGNED IN ACCORDANCE WITH C-857 500 PSF LOADING USING 5,500 PSI COMPRESSIVE STRENGTH CONCRETE AND 60,000 PSI YIELD STRENGTH ASTM A-706 STEEL REINFORCEMENT PER CALCS. #31649.
- LIMIT OF COVER OVER ROOF SECTION IS 0'-0" TO 0'-0".
- MINIMUM EXCAVATION SIZE: 9'-2" X 12'-5" DEPTH REQ'D.
- COVER DESIGN LOAD FOR 5000 LBS SINGLE AXLE ON 10" X 10" AREA.
- TEMP. PAD DESIGN DESIGN FOR 300 PSF.
- VAULT TO BE PLACED ON A MIN. 6" BASE OF CRUSHER RUN FOR EASE OF INSTALLATION AND EVEN LOAD DISTRIBUTION.
- CONCRETE MIX USED IN POURING THIS PRODUCT SHALL USE FLY ASH AS AN ADMIXTURE.
- FINISH COATING: ALL INTERIOR WALLS AND CEILING SHALL BE PAINTED WHITE.
- ALL PARTS TO BE STENCILED: MFG DATE / JOB NUMBER / PRODUCT ID / WEIGHT.
- FOR COMPLETE DESIGN AND PRODUCT INFORMATION CONTACT JENSEN PRECAST.

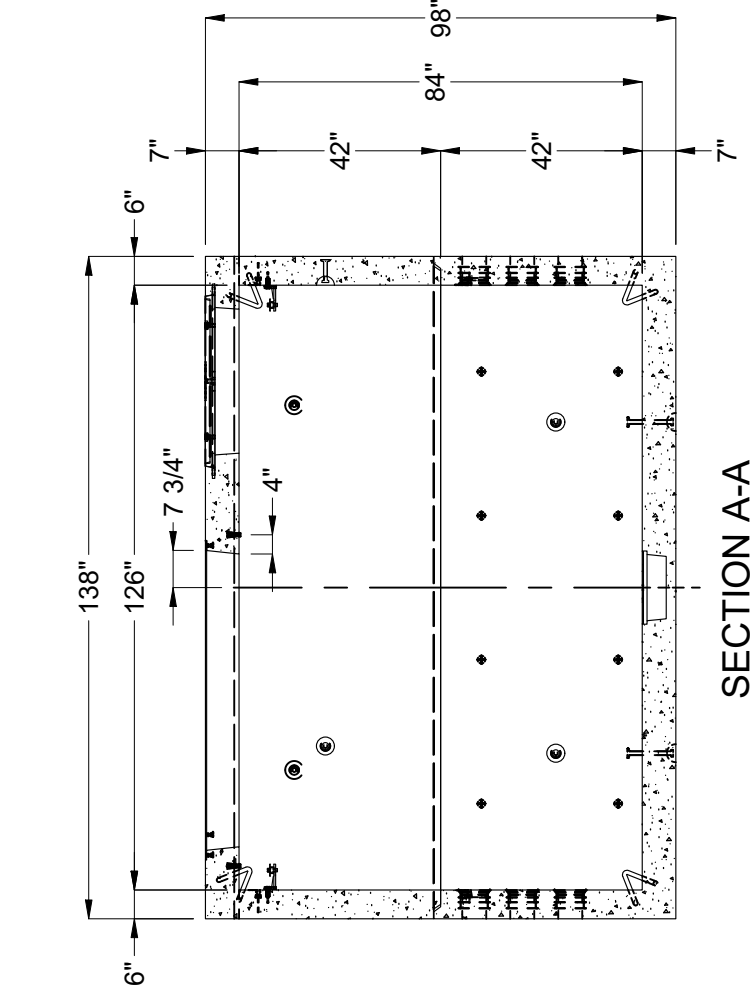
REVISION HISTORY

REV	DESCRIPTION	DATE	APPROVED
A	INITIAL RELEASE	3/26/2019	
B	REVISED FOR RELEASE	1/15/2020	

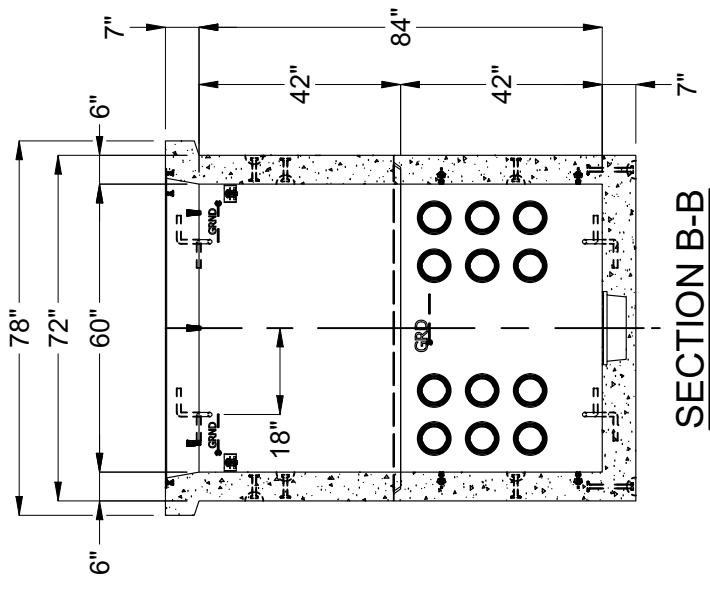
DESCRIPTION:	Utility Vault 60126 Layout Assembly EDISON UGS SS 590
REV:	B
PART NUMBER:	100010490
CREATED:	5/24/2019
DRAWN BY:	N. Chand
MODIFIED:	1/28/2020
LAYOUT REVIEW	
SHEET:	86
1 OF 2	



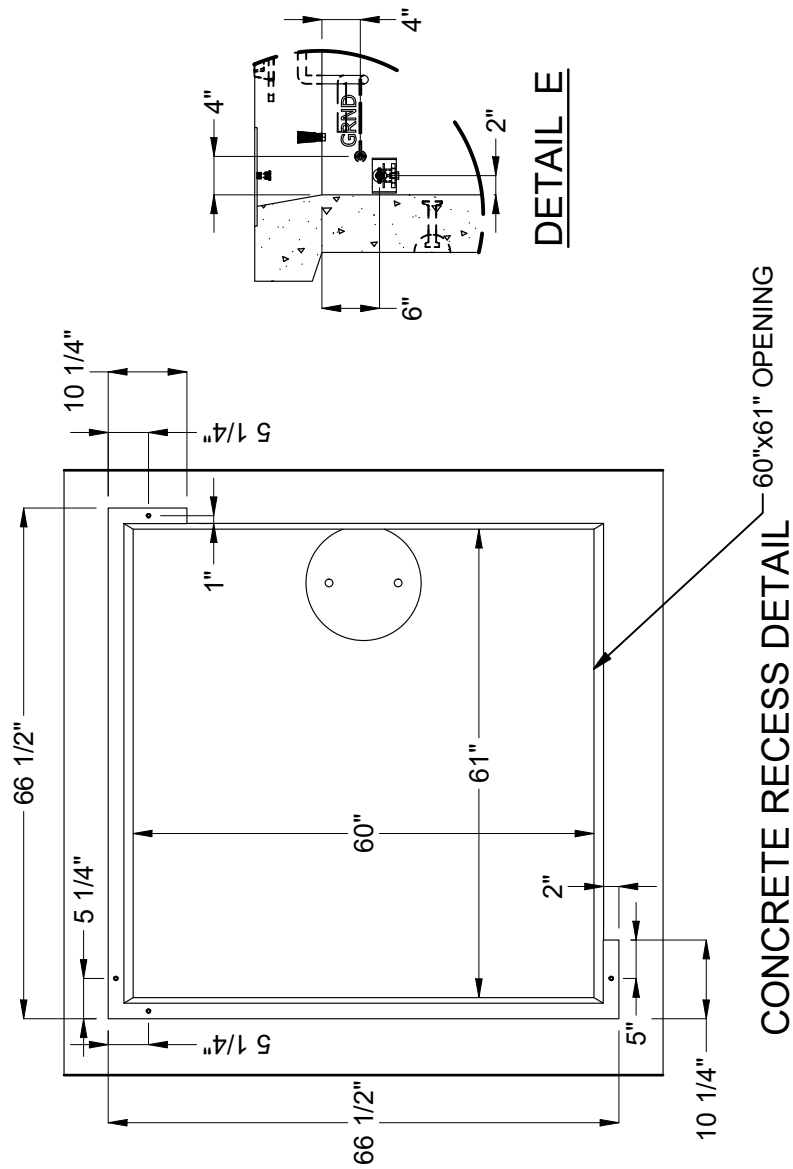
PLAN VIEW



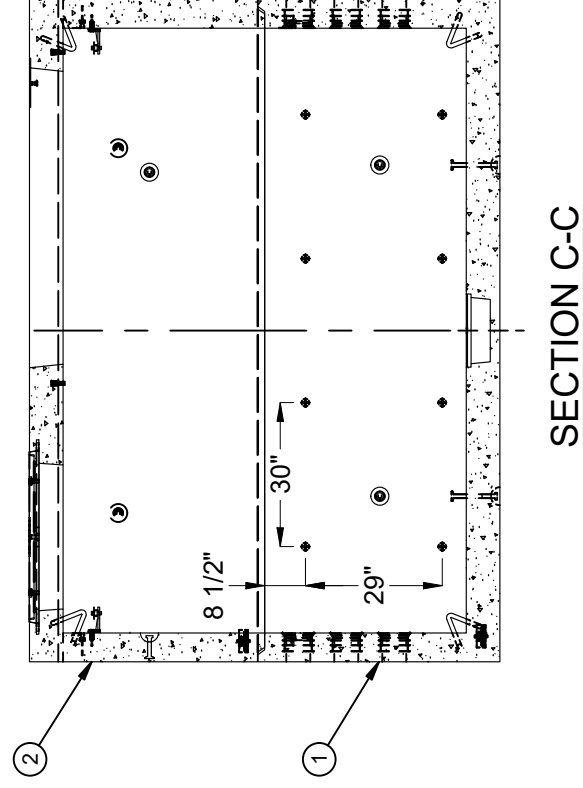
SECTION A-A



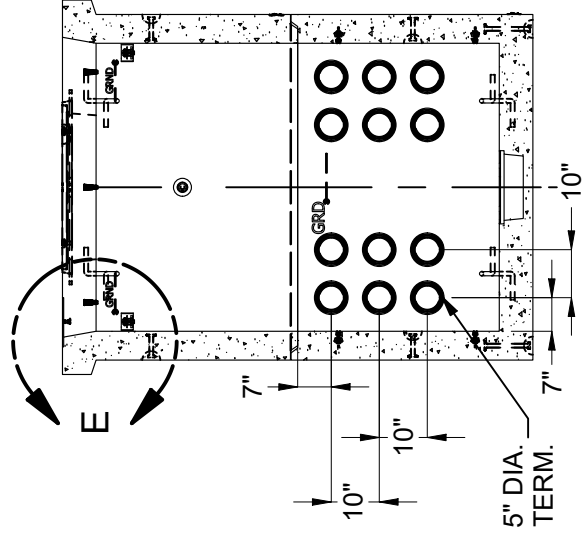
SECTION B-B



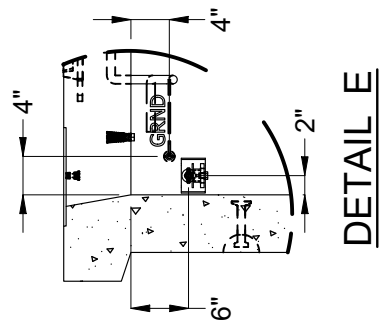
CONCRETE RECESS DETAIL - 60"x61" OPENING



SECTION C-C



SECTION D-D



DETAIL E

BURY DEPTH:	0.0' - 0.0' to Top of Section		
WATER LEVEL:	3.0'	WEIGHT:	28960.36 Lbs
DESIGN SPEC:	ASTM C857	LOADING SPEC:	500 psf
AGENCY:	EDISON	AGENCY SPEC:	UGS SS 590

JENSEN PRECAST EST. 1968
WWW.JENSENPRECAST.COM

©2019 Jensen Precast. All rights reserved. All materials appearing as Jensen Precast documents and the like are proprietary work product and are protected under U.S. copyright and other laws. Unless in conjunction with business conducted with Jensen Precast, any use of Jensen Precast work product without express, written consent is prohibited, and recipient is prohibited from distributing any and all work product to non-approved third parties under penalty of civil action.

DESCRIPTION:	Utility Vault 60126 Layout Assembly EDISON UGS SS 590		
PART NUMBER:	100010490	LAYOUT DRAWING	DRAWN BY: N. Chand
CREATED:	5/24/2019	MODIFIED:	1/28/2020