

**NOTES:**

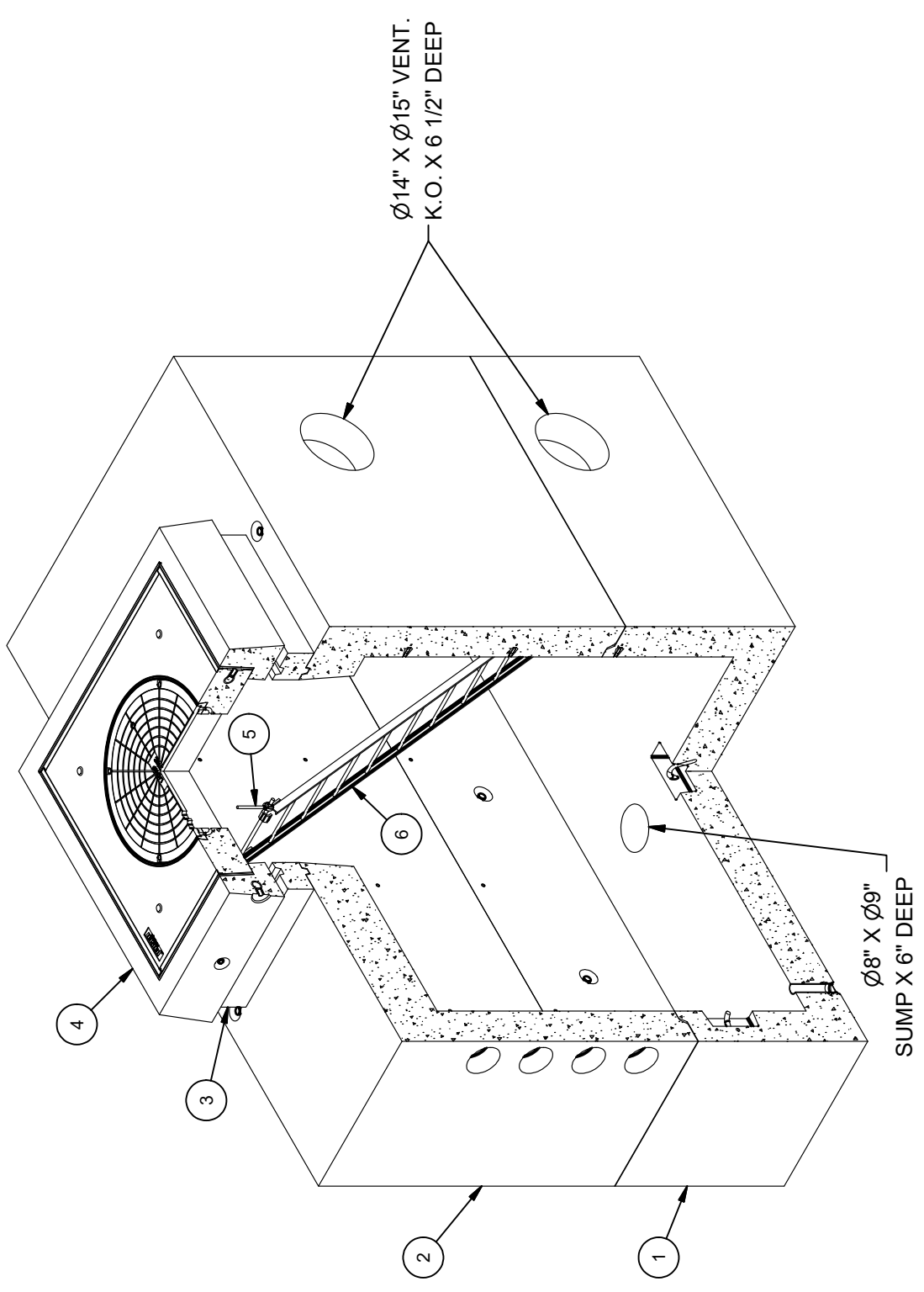
- STANDARDS. AASHTO LRFD BRIDGE DESIGN SPECIFICATIONS, 8TH EDITION, WITH 2022 CALTRANS AMENDMENTS, CITY OF LOS ANGELES BUREAU OF ENGINEERING STANDARD PLAN S-601, LATEST, MANUAL PART H, LADWP P 178, ASTM C-857. STRUCTURAL CALCS. #33336.
- MATERIAL. CONCRETE, F<sub>c</sub>=5,500 PSI. MIX TO INCLUDE FLY ASH AND DCI. REINFORCEMENT PER ASTM A-706. F<sub>y</sub>=60,000.
- LOADS. VERTICAL LIVE LOAD: AASHTO HL-93. LIVE LOAD SURCHARGE: GREATEST OF: LA BOE PART H, FIGURE H 374.2A. MINIMUM 80 PSF (TO BOTTOM OF VAULT) OR LADWP P 178 (104 PSF). SOIL LATERAL LOADS: 40 PCF (DRY), 81 PCF (SATURATED), SATURATED SOIL CONDITIONS 3'-0" BELOW GRADE. SOIL BEARING CAPACITY = 1,500 PSF. DESIGN SOIL DENSITY IS 120 PCF.
- LOADS NOT INCLUDED. DESIGN DOES NOT INCLUDE COOPER E-80 RAILROAD LOADS OR LATERAL OR SURCHARGE LOADS THAT ARE PRODUCED BY FOOTING OR FOUNDATIONS ADJACENT TO THE STRUCTURE. THIS SUBSTRUCTURE SHALL BE KEPT AT LEAST IN A 1:1 RATIO AWAY FROM ALL FOOTINGS AND FOUNDATIONS, UNLESS THE ENGINEER OF RECORD APPROVES IN WRITING.
- INSTALLATION. VAULT TO BE PLACED ON A MIN. 6" BASE OF CRUSHER RUN FOR EASE OF INSTALLATION AND EVEN LOAD DISTRIBUTION. BASE MATERIAL IN ACCORDANCE WITH SECTION 200-2 OF THE SSPWC (GREEN BOOK).
- INSTALLATION LIMITS. VAULT SHALL HAVE A MINIMUM COVER OF 1'-6" AND A MAXIMUM COVER OF 4'-0".
- EACH CONCRETE SECTION SHALL BE MARKED ON THE INSIDE & OUTSIDE WITH "JENSEN PRECAST", THE DESIGNATION "DWP/FA-CN" AND THE DATE OF THE POUR.
- EACH CONCRETE SECTION SHALL HAVE CAST-IN ON THE INSIDE "JENSEN", THE YEAR, AND THE DESIGNATION "FA-CN".
- EACH PIECE TO BE STENCILIED WITH ITS PART NO.
- NO SHARP OR ROUGH EDGES ON THE TERMINATORS ENTERING THE VAULT.
- K44-VN12-12T VAULT NECK AND COVER, WITH APPROVED CAST IRON COVER TO BE USED WITH THIS VAULT.
- MINIMUM EXCAVATION SIZE: 7'-4" X 12'-8" X DEPTH REQ'D.
- ADDITIONAL SUBMITTAL, PERMIT AND CONSTRUCTION PLAN REVIEW WILL BE REQUIRED FOR EACH PROJECT LOCATION. SUBMIT TO CITY ENGINEERS FOR APPROVAL PRIOR TO START OF ANY CONSTRUCTION.
- ALL INSTALLATIONS SHALL COMPLY WITH ALL OTHER LOCAL GOVERNING CODES AND REGULATION INCLUDING CALIFORNIA PUBLIC UTILITIES COMMISSION REGULATIONS.
- FOR COMPLETE DESIGN AND PRODUCT INFORMATION CONTACT JENSEN PRECAST.

**LIFTING NOTES**

■ FIELD INSTALLATION: PLANT DEMOLING: MINIMUM HANDLING CONCRETE STRENGTH F <sub>c</sub> = 5500 PSI RIGGING EQUALIZER REQUIRED TO EQUALIZE LOAD TO 4 LIFTING POINTS WITH A SLING ANGLE BETWEEN 60° AND 90°	
BURY DEPTH:	1.5' - 4.0' to Top
WATER LEVEL:	3.0'
DESIGN SPEC:	AASHTO LRFD, ACI 318
AGENCY:	LADWP
APPROX. WEIGHT:	44444.72 Lbs
LOADING SPEC:	AASHTO HL-93
AGENCY SPEC:	G-354 R10

**BILL OF MATERIALS**

ITEM	UNIT QTY	QTY	PART NUMBER	DESCRIPTION	MASS (lb)
1	1	1	100012994	Vault 60126x30 Rect. Bottom Section Knockout Sump LADWP G-354 R10	16905
2	1	1	100012371	Vault 60126x54 Rect. Top Section 48"x48"C Knockout, Terminators LADWP G-354 R10	23365
3	1	1	100012395	Riser 4848x6 LADWP 1-802 G-1B	792
4	1	1	200060771	Vault Neck and Plug Cover Assembly 4848x12 30"C LADWP 1-802 G-1B R-1581	3325
5	1	1	100007585	LADDER HANGER ASSEMBLY GALV	
6	1	1	100009252	LADDER HOOKED GALV 10FT ED/LA I3382	
7	1	4	100009239	ROD THREADED COIL YELLOW DIP 3/4 X 10-1/2"	
8	1	8	100007010	HEX COIL NUT 3/4-4.5 ZINC - PLATED	
9	1	8	100007136	WASHER FLAT 3/4 REGULAR TYPE A ZINC	
10	1,000 ul	1,000 ul	100005749	SEALANT JOINT BUTYL RUBBER ASTM C-990 AND M198 CS-102 1IN EQUIV X14.5FT PER BOX 118FT	



**ISO VIEW**

REV	DESCRIPTION	DATE	APPROVED
C-1	REMOVED IDENCIA TAG	10/13/2023	

REVISION HISTORY

DESCRIPTION: Vault Layout 60126x84 Knockout, Terminators Sump 48"x48"C LADWP G-354 R10

REV: C-1

PART NUMBER: 100010493

DRAWN BY: J. Prado

CREATED: 6/11/2019

MODIFIED: 10/13/2023

LAYOUT REVIEW

SHEET: 5

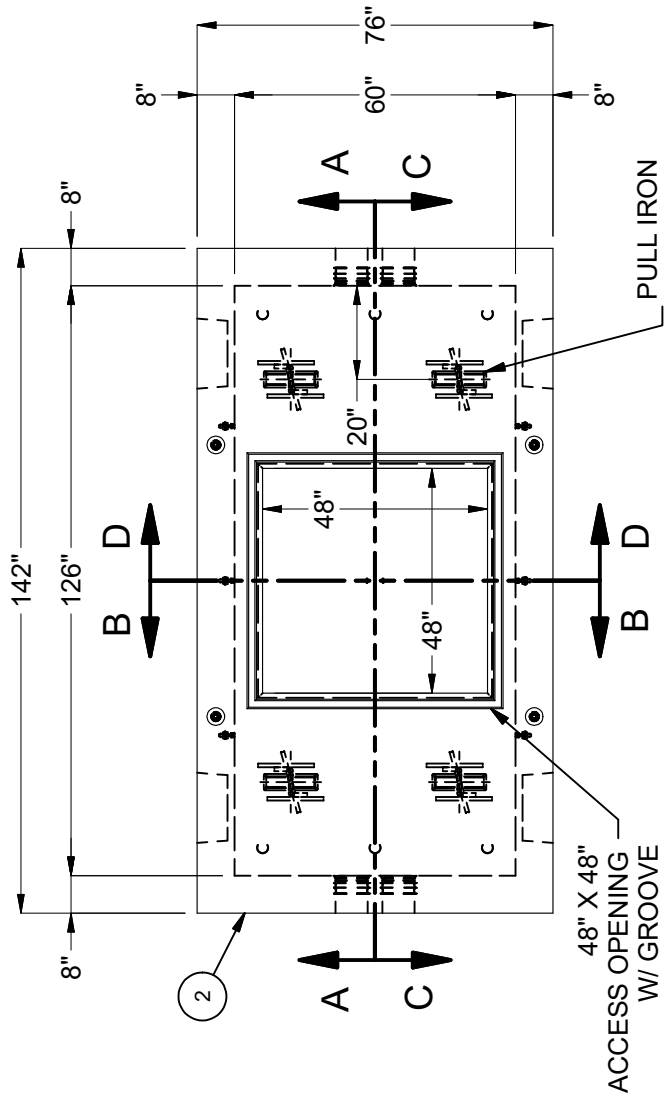
1 OF 2



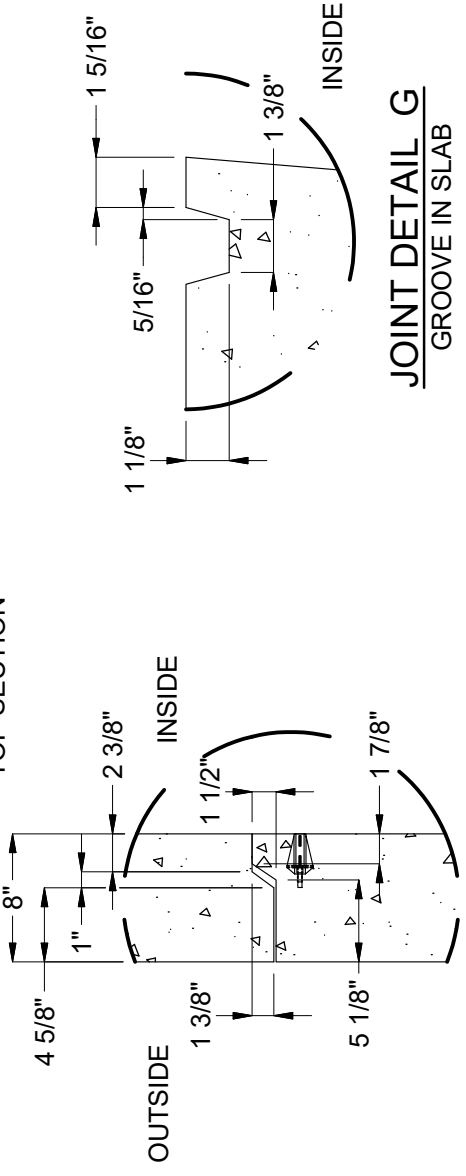
WWW.JENSENPRECAST.COM

©2023 Jensen Precast. All rights reserved. All materials appearing as Jensen Precast documents and the like are proprietary work product and are protected under U.S. copyright and other laws. Unless in conjunction with business conducted with Jensen Precast, any use of Jensen Precast work product without express, written consent is prohibited, and recipient is prohibited from distributing any and all work product to non-approved third parties under penalty of civil action.

1001001493

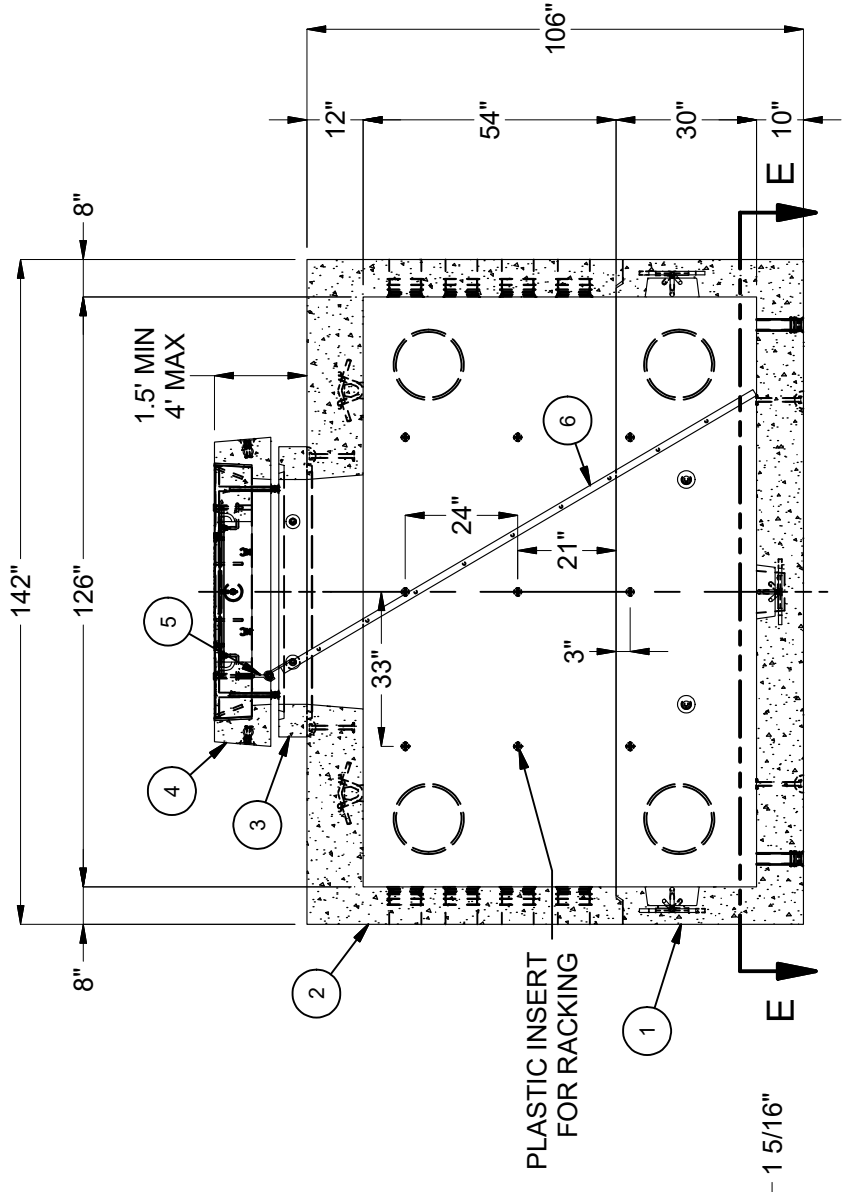


**PLAN VIEW  
TOP SECTION**

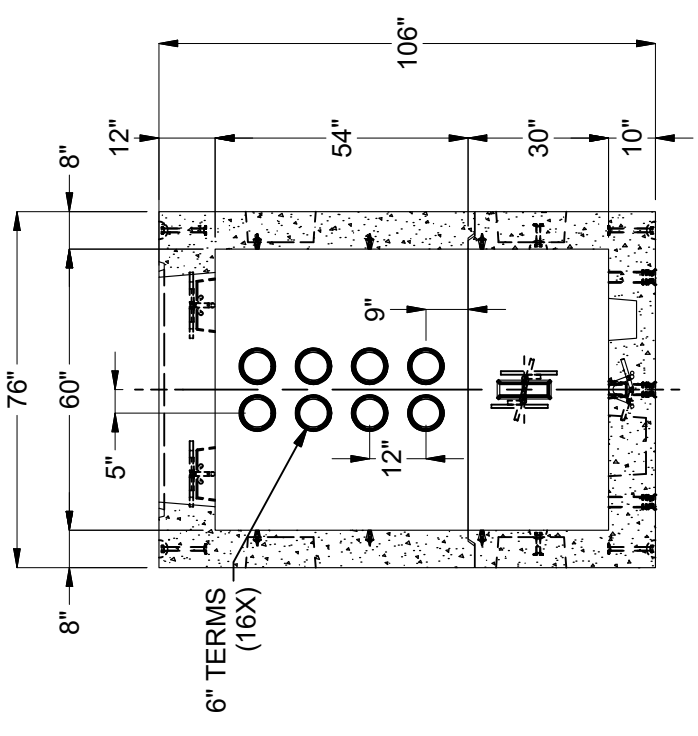


**JOINT DETAIL F  
SHIPLAP WALLS**

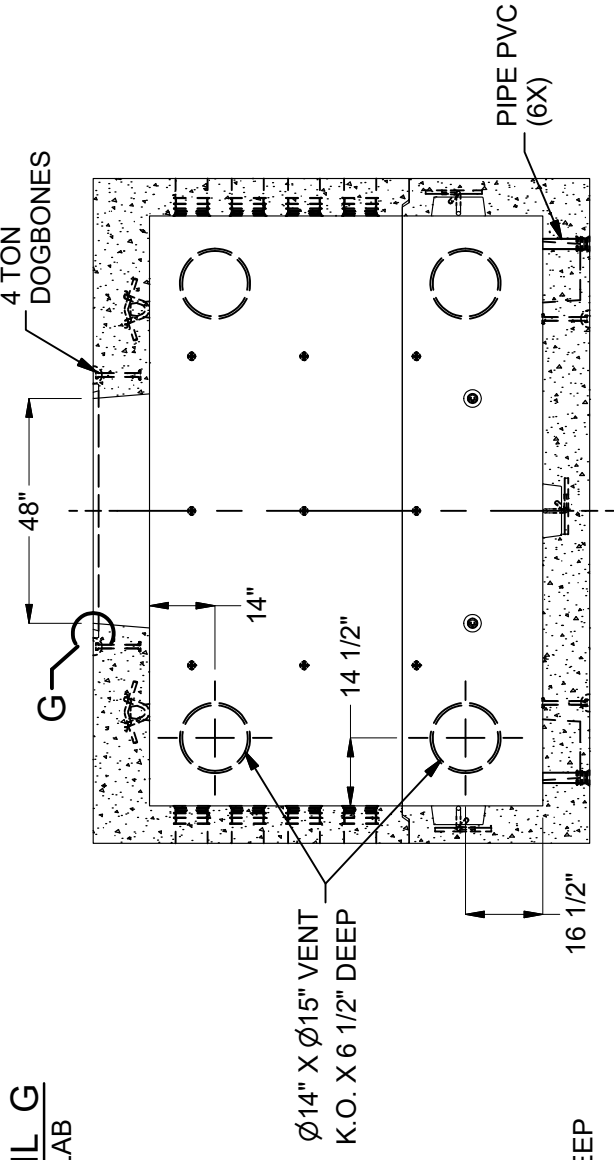
**JOINT DETAIL G  
GROOVE IN SLAB**



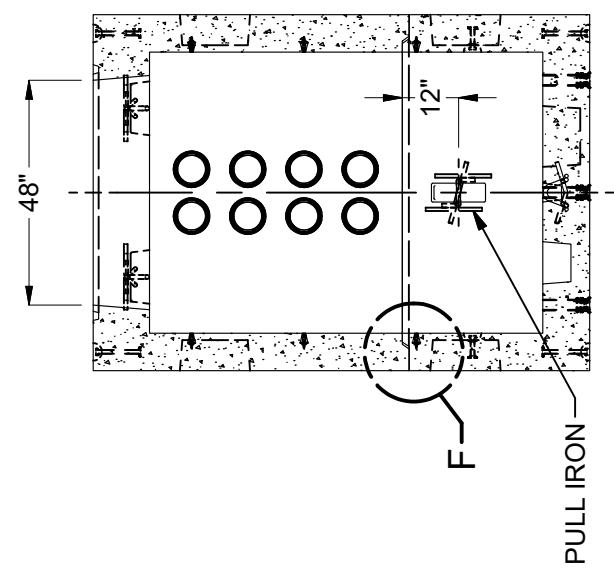
**SECTION A-A**



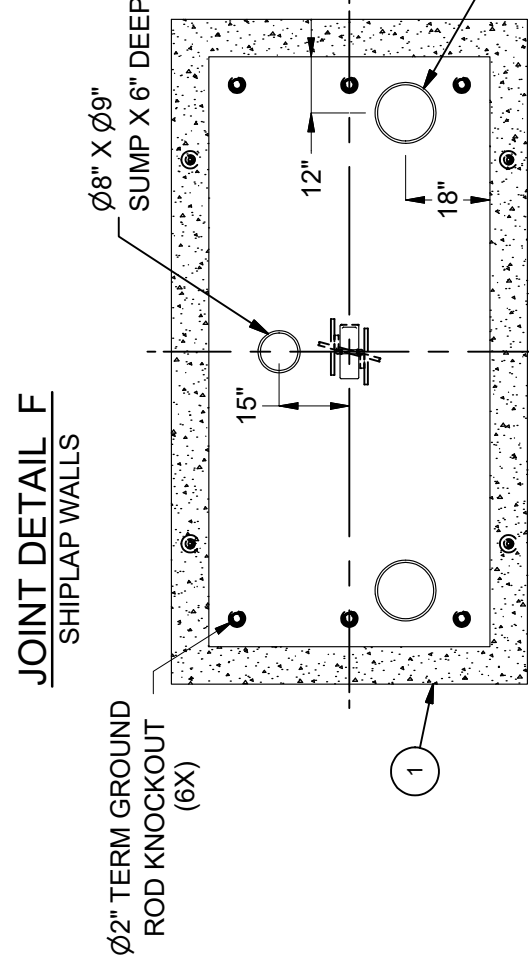
**SECTION B-B**



**SECTION C-C**



**SECTION D-D**



**SECTION E-E  
BOTTOM SECTION**

BURY DEPTH:	1.5' - 4.0' to Top
WATER LEVEL:	3.0'
DESIGN SPEC:	AASHTO LRFD, ACI 318
AGENCY:	LADWP
APPROX. WEIGHT:	44444.72 Lbs
LOADING SPEC:	AASHTO HL-93
AGENCY SPEC:	G-354 R10

**JENSEN PRECAST** EST. 1968  
 WWW.JENSENPRECAST.COM

©2023 Jensen Precast. All rights reserved. All materials appearing as Jensen Precast documents and the like are proprietary work product and are protected under U.S. copyright and other laws. Unless in conjunction with business conducted with Jensen Precast, any use of Jensen Precast work product without express, written consent is prohibited, and recipient is prohibited from distributing any and all work product to non-approved third parties under penalty of civil action.

DESCRIPTION:	Vault Layout 60126x84 Knockout, Terminators Sump 48"x48"C LADWP G-354 R10
LAYOUT DRAWING	
PART NUMBER:	100010493
DRAWN BY:	J. Prado
CREATED:	6/11/2019
MODIFIED:	10/13/2023

10010493.rvt