

DESIGN NOTES

- DESIGNED IN ACCORDANCE WITH AASHTO HS20-44 TRAFFIC BRIDGE LOADING USING 6,000 PSI COMPRESSIVE STRENGTH CONCRETE AND 60,000 PSI YIELD STRENGTH ASTM A-706 STEEL REINFORCEMENT PER CALCS. #34462.
- COVER DESIGN FOR TRAFFIC HS20 LOADING
- MINIMUM EXCAVATION SIZE: 7' 6" X 11' 0" X DEPTH REQ'D.
- VAULT TO BE PLACED ON A MIN. 6" BASE OF CRUSHER RUN FOR EASE OF INSTALLATION AND EVEN LOAD DISTRIBUTION.
- EXTERIOR SURFACES OF STRUCTURE(S) SHALL BE COATED WITH IMRAE COATMASTERS 7007.
- STRUCTURES TO BE STENCILED, "JENSEN PRECAST", WITH "TIME" AND "DATE OF POUR", AND SDGE STOCK NUMBER ON EXTERIOR AND INTERIOR WALLS.
- STENCIL "GRD" IN RED LETTERS
- FOR COMPLETE DESIGN AND PRODUCT INFORMATION CONTACT JENSEN PRECAST.

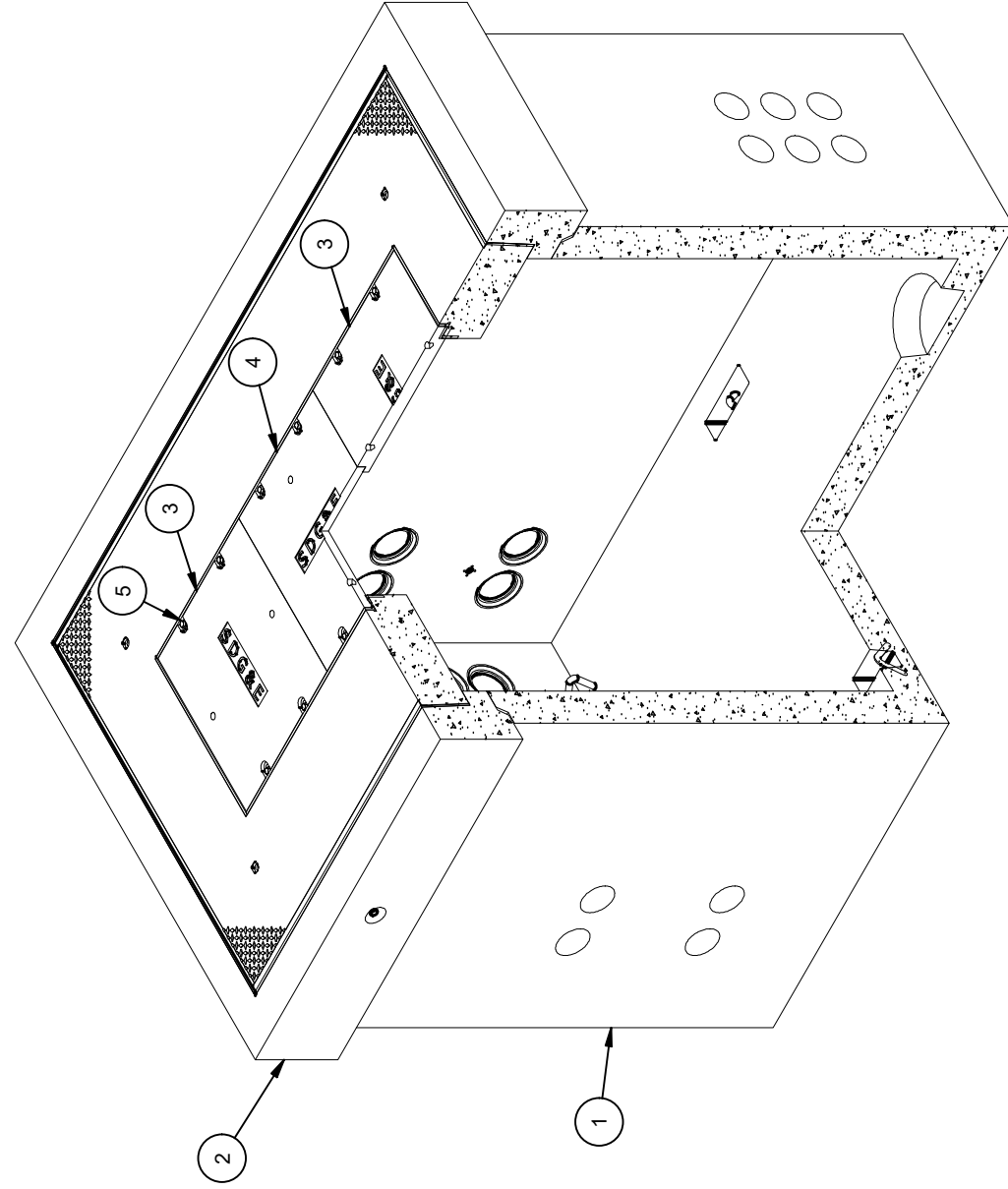
JENSEN PART No.	CROSS REFERENCE	SHORT DESCRIPTION	SDGE STOCK No.
100006961(QTY.1) 100006962(QTY.2)	3315/3316	Ductile Iron cover	S287734
100012194	3316 66"	Base section	S248174
100009543	3316	Traffic Cover	S248168
100012257	3316	Traffic Neck	S248166
200043588	3316	Intermediate 12"	S336208
100012195	3316	Intermediate 24"	S248162

LIFTING NOTES

- INSTALLATION: THIS CONCRETE PRODUCT IS DESIGNED TO BE LIFTED AT 5,500 PSI WITH 4 LIFT CONNECTIONS EQUALLY LOADED TO 4 LIFTING POINTS AT A MINIMUM 60° SLING ANGLE, MEASURED FROM HORIZONTAL.
- BURY DEPTH: 0.0' - 0.0' to Top
- WATER LEVEL: 3.0'
- APPROX. WEIGHT: 22743.06 Lbs
- DESIGN SPEC: ASTM C857, ACI 318
- LOADING SPEC: A-16 (AASHTO HS20-44)
- AGENCY: SDGE
- AGENCY SPEC: 3316

BILL OF MATERIALS

ITEM	UNIT QTY	QTY	PART NUMBER	DESCRIPTION	MASS (lb)
1	1	1	100012194	Vault 60102x66 Rect. Bottom Section Terminators Sump SDGE 3316	15668
2	1	1	200036594	Vault Neck and Plug Cover Assembly 60102x12 24"x72"C SDGE 3316	6746
3	1	2	100006962	CI COVER 24X72 SBF A-1472-B ASTM A48 CL-35B OUTER SDGE	113
4	1	1	100006961	CI COVER 24X72 SBF A-1472-A ASTM A48 CL35B CENTER SDGE	100
5	1	12	100008105	PENTA BOLT 1/2-13 UNC 2-1/2 304SS W/CAPWASH	
6	1.000 ul	1.000 ul	100005749	SEALANT JOINT BUTYL RUBBER ASTM C-990 AND M198 CS-102 1IN EQUIV X14.5FT PER BOX 118FT	
7	7.250 gal	7.250 gal	100038043	COATING WATERPROOFING CoatMasters CM7007 IMRAE	



ISO VIEW

REVISION HISTORY

REV	DESCRIPTION	DATE	APPROVED
C-3	REMOVED SIDE & END INSERTS FROM PLUG	10/10/2023	

DESCRIPTION: Pull Box 60102 Layout Assembly SDGE 3316 Ext. Coating - Waterproofing CoatMasters CM7007 IMRAE

REV: C-3

PART NUMBER: 100010516 LAYOUT REVIEW

DRAWN BY: J. Prado

CREATED: 9/25/2019 MODIFIED: 10/10/2023

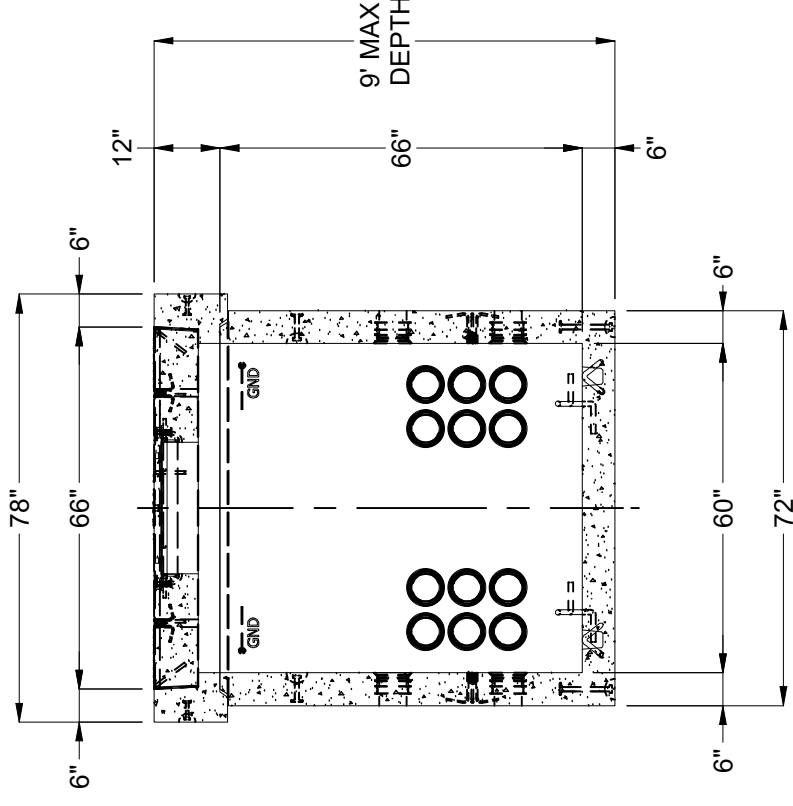
SHEET: 5

1 OF 2

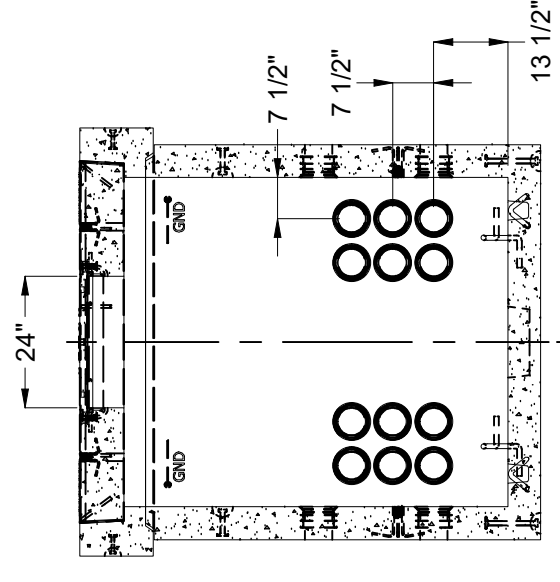
©2023 Jensen Precast. All rights reserved. All materials appearing as Jensen Precast documents and the like are proprietary work product and are protected under U.S. copyright and other laws. Unless in conjunction with business conducted with Jensen Precast, any use of Jensen Precast work product without express, written consent is prohibited, and recipient is prohibited from distributing any and all work product to non-approved third parties under penalty of civil action.

JENSEN PRECAST EST. 1968

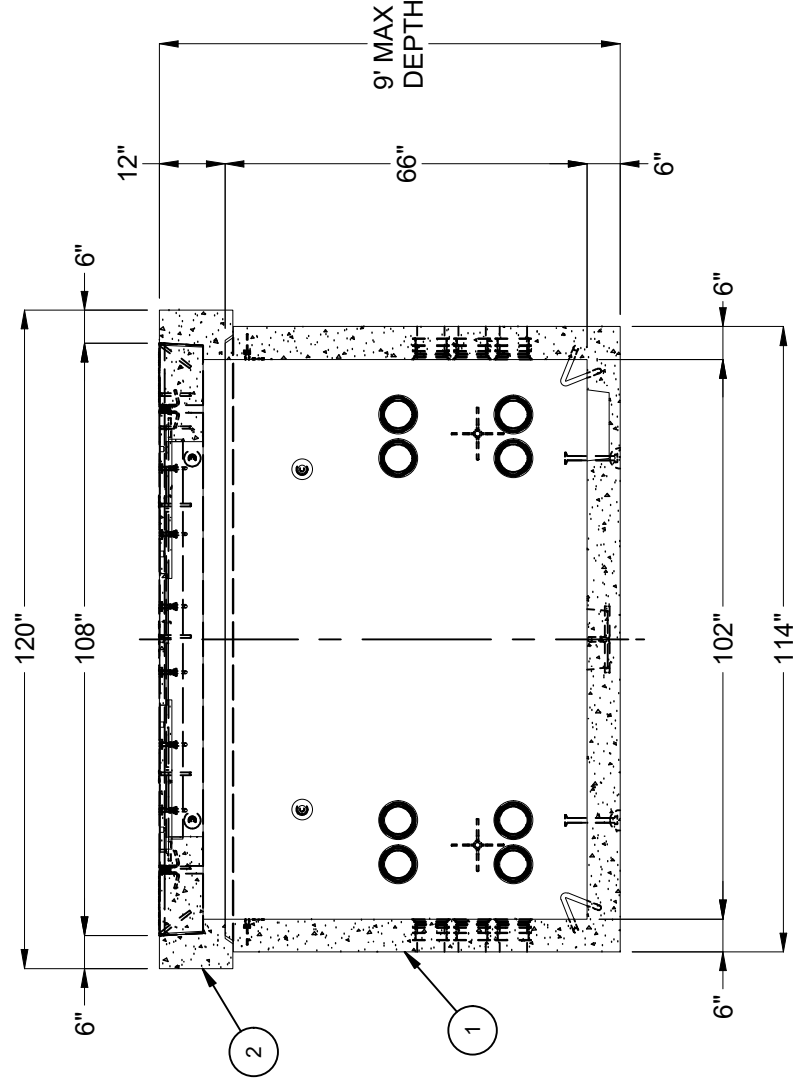
WWW.JENSENPRECAST.COM



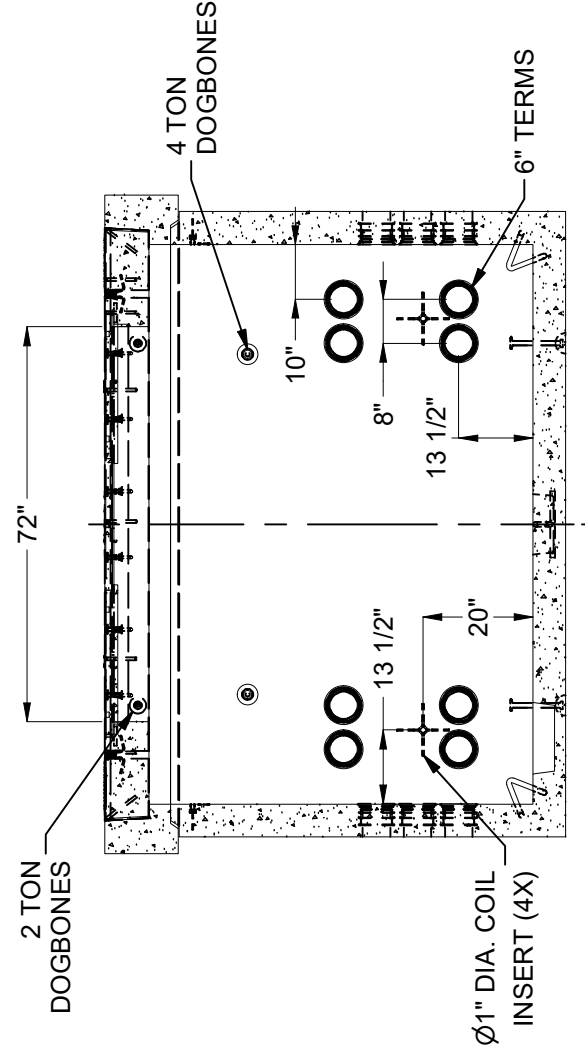
SECTION B-B



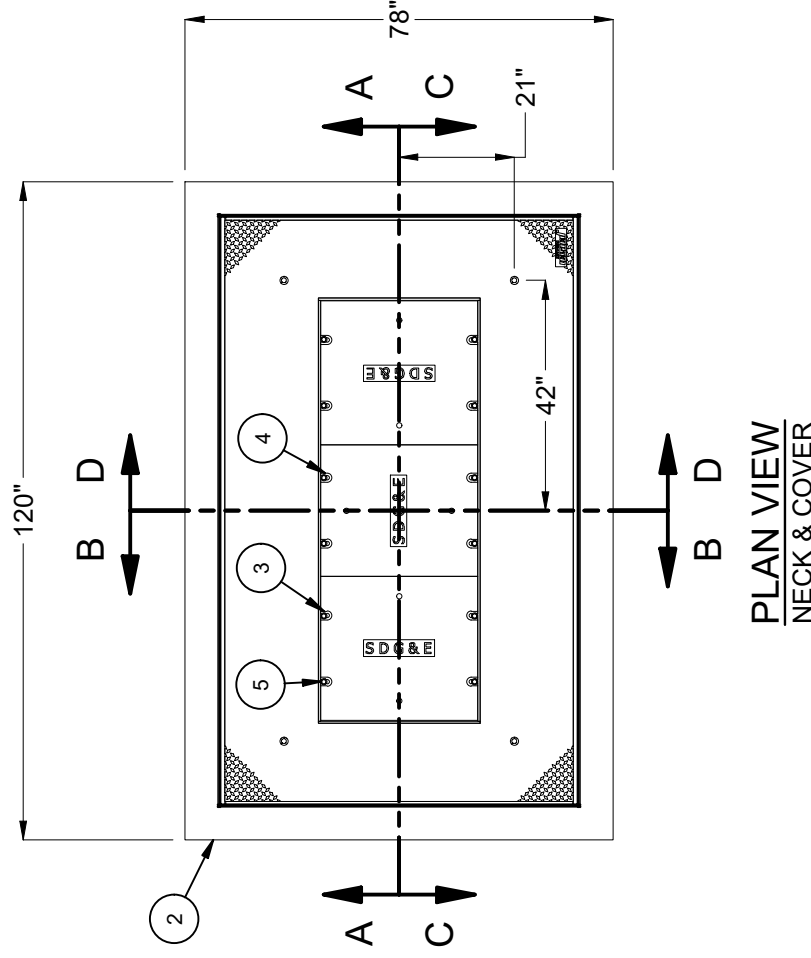
SECTION D-D



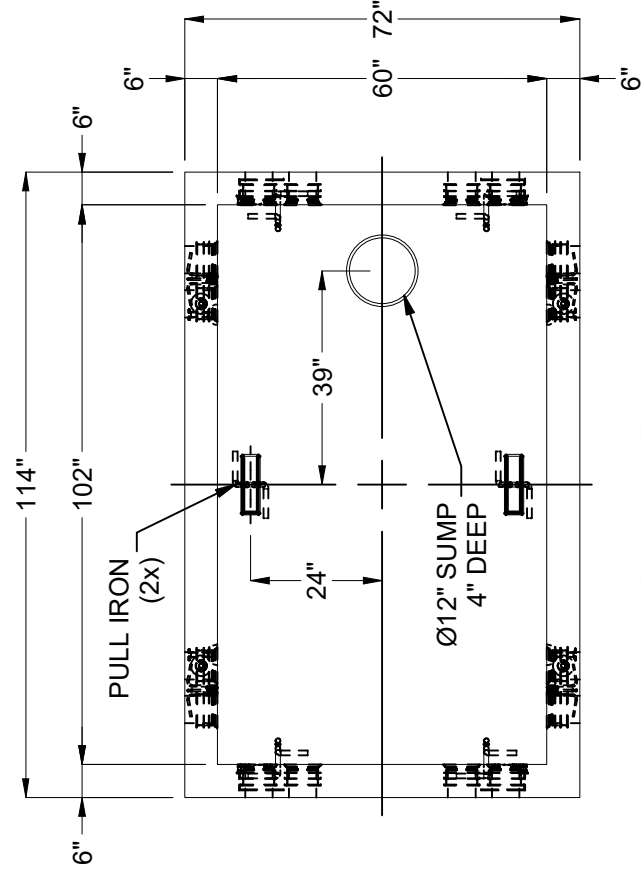
SECTION A-A



SECTION C-C



PLAN VIEW
NECK & COVER



PLAN VIEW
SWITCH ENCLOSURE W/O NECK & COVER

BURY DEPTH:	0.0' - 0.0' to Top
WATER LEVEL:	3.0'
DESIGN SPEC:	ASTM C857, ACI 318
AGENCY:	SDGE
APPROX. WEIGHT:	22743.06 Lbs
LOADING SPEC:	A-16 (AASHTO HS20-44)
AGENCY SPEC:	3316

©2023 Jensen Precast. All rights reserved. All materials appearing as Jensen Precast documents and the like are proprietary work product and are protected under U.S. copyright and other laws. Unless in conjunction with business conducted with Jensen Precast, any use of Jensen Precast work product without express, written consent is prohibited, and recipient is prohibited from distributing any and all work product to non-approved third parties under penalty of civil action.

JENSEN PRECAST EST. 1968
WWW.JENSENPRECAST.COM

DESCRIPTION:
 Pull Box 60102 Layout Assembly SDGE 3316 Ext. Coating - Waterproofing CoatMasters CM7007 IMRAE

LAYOUT DRAWING
 DRAWN BY: J. Prado
 MODIFIED: 10/10/2023

REV: C-3
 SHEET: 6
 2 OF 2

100010516.mpd