

# 5' x 8' x 12' VAULT NECK AND COVER

MODEL K58-VN12-11

EDISON SPEC.

**NOTES:**

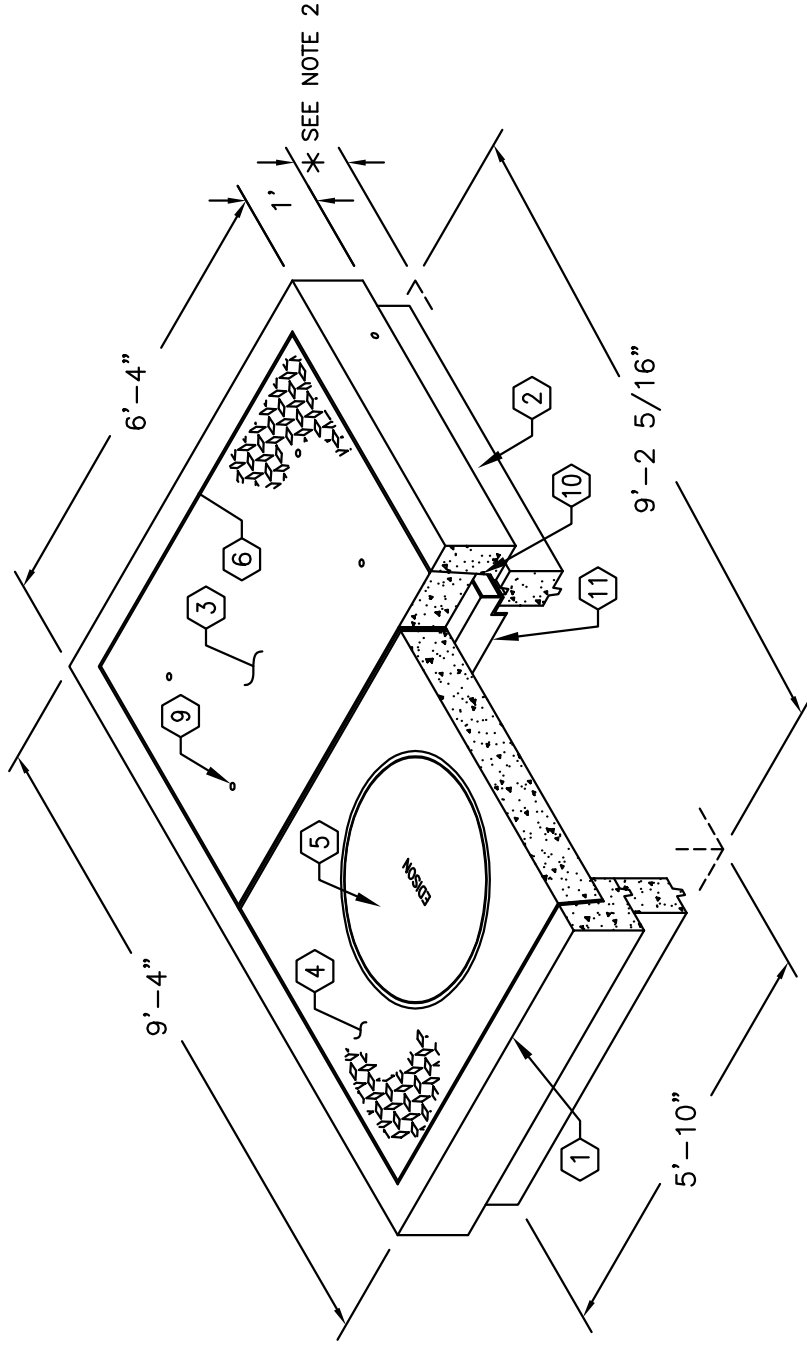
STRUCTURE DESIGNED IN ACCORDANCE WITH:

- AASHTO H-20 TRAFFIC BRIDGE LOADING
- ASTM C-857 STANDARD PRACTICE FOR MINIMUM STRUCTURAL DESIGN LOADING FOR UNDERGROUND PRECAST CONCRETE UTILITY STRUCTURES
- AMERICAN CONCRETE INSTITUTE ACI 318-05

CONCRETE COMPRESSIVE STRENGTH  $F'_c = 5500$  PSI  
REINFORCEMENT IN ACCORDANCE WITH ASTM A-706  
WITH A YIELD STRENGTH OF  $F_y = 60,000$  PSI.

6" MINIMUM COMPACTED GRANULAR MATERIAL RECOMMENDED FOR SUB-BASE FOR EASE OF INSTALLATION AND EVEN LOAD DISTRIBUTION.

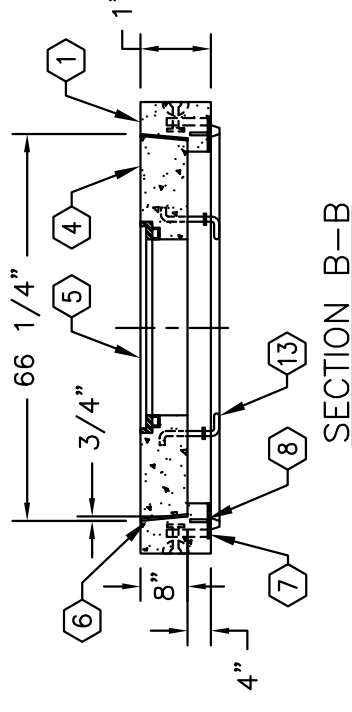
1. VN58-N12-11, 12" NECK WITH TONGUE, WT. 2,700 lbs.
2. 6" OR 12" EXTENSION SECTION, SEE NOTES.
3. VN58-T8, 8" SOLID COVER, WT. 1,580 lbs.
4. VN45-T8-11, COVER SECTION W/ CAST-IN R-12581 RING AND (2) LADDER STEPS, WT. 1,985 lbs.
5. 30" DIA. R-1581 CAST IRON COVER MARKED 'EDISON'.
6. 3/8" x 8" EXPANDED FELT.
7. 3/4" COIL THREADED ADJUSTING BOLT HOLE x 11" LONG.
8. SUPPORT PLATE FOR BEAM.
9. 1" DIA. THRU HOLE.
10. 4"x3" BEAM RECESS x 3" DEEP.
11. (1) 6" 'W' BEAM.
12. 4 TON x 4 3/4" GALVANIZED RISS ANCHORS.
13. (2) 3/4" DIA. GALV. STRESS RELIEVED LADDER RUNGS.



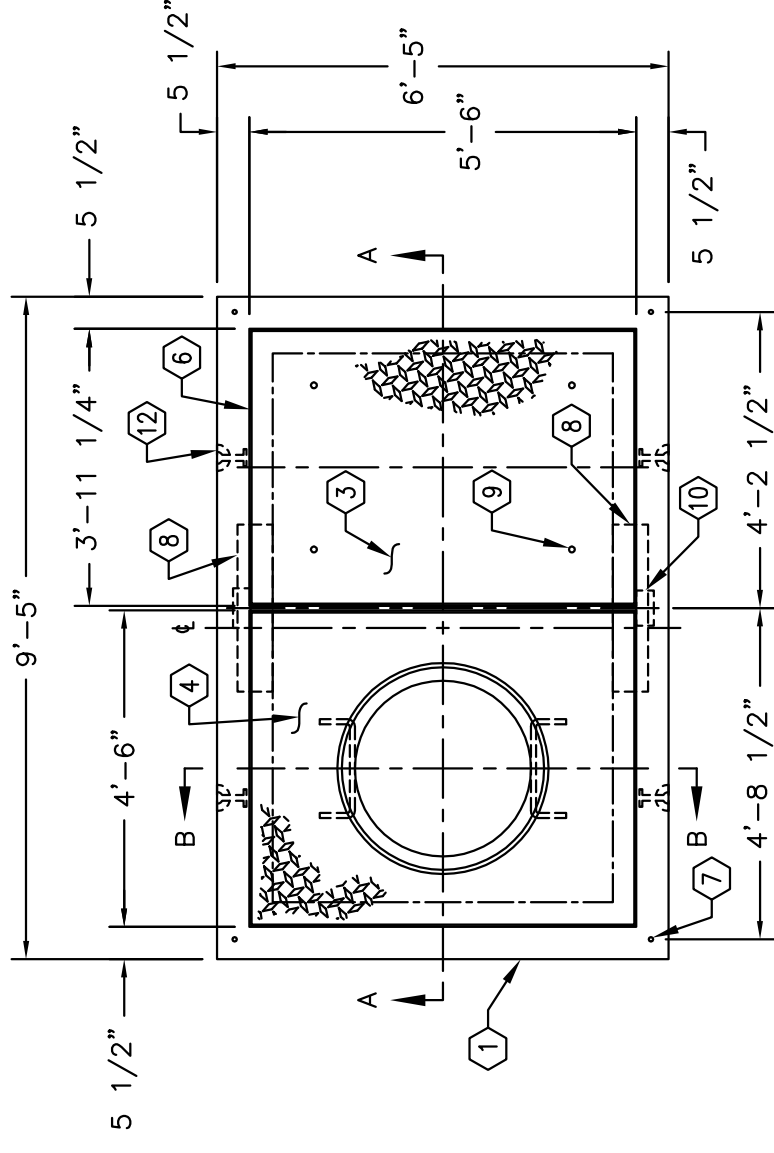
# 5' x 8' x 12' VAULT NECK AND COVER

MODEL K58-VN12-11

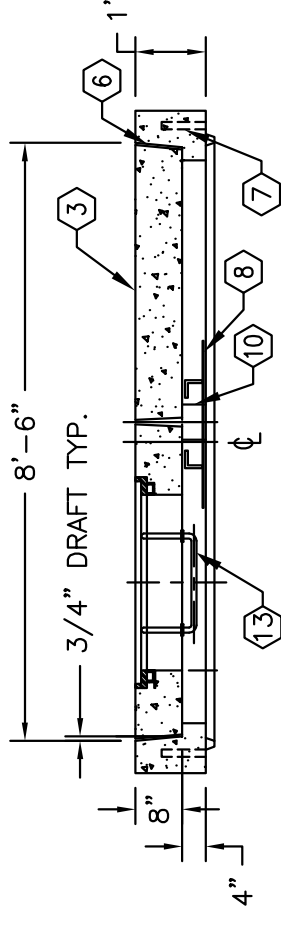
EDISON SPEC.



SECTION B-B



PLAN VIEW



SECTION A-A