

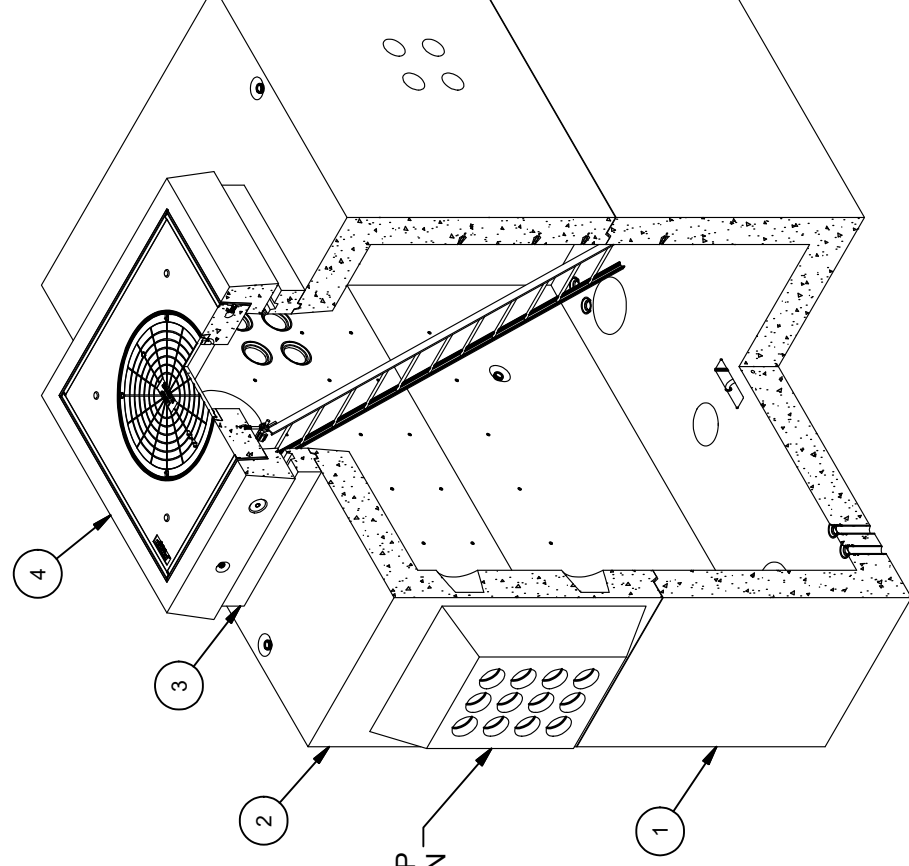
LIFTING NOTES

- THIS CONCRETE PRODUCT IS DESIGNED TO BE LIFTED WITH 4 EQUALLY LOADED RIGGINGS LEGS MIN. 90° SLING ANGLE, MEASURED FROM HORIZONTAL.

BILL OF MATERIALS

ITEM	UNIT QTY	QTY	PART NUMBER	DESCRIPTION	MASS (lb)
1	1	1	100012997	Vault 72120x52 Rect. Bottom Section Sump LADWP G-284 G-4	25258
2	1	1	100012375	Vault 72120x60 Rect. Top Section 48"x48"E Terminators Ducted LADWP G-284 G-4	24373
3	1	1	100012395	Riser 4848x6 LADWP 1-802 G-1B	792
4	1	1	200060771	Vault Neck and Plug Cover Assembly 4848x12 30°C LADWP 1-802 G-1B R-1581	3325
5	1	1	100007585	LADDER HANGER ASSEMBLY GALV	
6	1	1	100009251	LADDER HOOKED GALV 12FT ED/LA I3382	
7	1	4	100009239	ROD THREADED COIL YELLOW DIP 3/4 X 10-1/2"	
8	1	8	100007010	HEX COIL NUT 3/4-4.5 POST YELLOW DIP	
9	1	8	100007136	WASHER FLAT 3/4 REGULAR TYPE A ZINC	
10	1	8	100006071	STRUT SLOTTED C-CHANNEL 1-5/8 X 1-5/8 12GA BOLT-ON SOLID GALV 96IN	
11	1	56	100008099	BOLT HEX SOCKET HEAD CAP SCREW 1/2-13 UNC 2-1/2 PLATED	
12	1,000 ul	1,000 ul	100005749	SEALANT JOINT BUTYL RUBBER ASTM C-990 AND M198 CS-102 1IN EQUIV X14.5FT PER BOX 118FT	

<p>NOTES:</p> <ul style="list-style-type: none"> <li>STANDARDS. AASHTO LRFD BRIDGE DESIGN SPECIFICATIONS, 8TH EDITION, WITH 2022 CALTRANS AMENDMENTS, CITY OF LOS ANGELES BUREAU OF ENGINEERING STANDARD PLAN S-601, LATEST, MANUAL PART H, LADWP P 178, ASTM C-857. STRUCTURAL CALCS FOR BOX: #33763.</li> <li>MATERIAL. CONCRETE, F<sub>c</sub>=5,500 PSI. MIX TO INCLUDE FLY ASH AND DCI. REINFORCEMENT PER ASTM A-706 OR A-615, F<sub>y</sub>=60,000.</li> <li>LOADS. VERTICAL LIVE LOAD: AASHTO HL-93. LIVE LOAD SURCHARGE: PER LA BOE PART H, FIGURE H 374.2A. MINIMUM 80 PSF (TO BOTTOM OF VAULT) OR LADWP P 178 (104 PSF). SOIL LATERAL LOADS: 40 PCF (DRY), 81 PCF (SATURATED), SATURATED SOIL CONDITIONS 3'-0" BELOW GRADE. SOIL BEARING CAPACITY = 1,500 PSF. DESIGN SOIL DENSITY IS 120 PCF.</li> <li>LOADS NOT INCLUDED. DESIGN DOES NOT INCLUDE COOPER E-80 RAILROAD LOADS OR LATERAL OR SURCHARGE LOADS THAT ARE PRODUCED BY FOOTING OR FOUNDATIONS ADJACENT TO THE STRUCTURE. THIS SUBSTRUCTURE SHALL BE KEPT AT LEAST IN A 1:1 RATIO AWAY FROM ALL FOOTINGS AND FOUNDATIONS, UNLESS THE ENGINEER OF RECORD APPROVES IN WRITING.</li> <li>INSTALLATION. VAULT TO BE PLACED ON A MIN. 6" BASE OF CRUSHER RUN FOR EASE OF INSTALLATION AND EVEN LOAD DISTRIBUTION. BASE MATERIAL IN ACCORDANCE WITH SECTION 200-2 OF THE SSPWC (GREEN BOOK).</li> <li>INSTALLATION LIMITS. VAULT SHALL HAVE A MINIMUM COVER 1'-6" AND A MAXIMUM COVER OF 4'-0".</li> <li>EACH CONCRETE SECTION SHALL BE MARKED ON THE INSIDE &amp; OUTSIDE WITH "JENSEN PRECAST", THE DESIGNATION "DWPI/FA-CN" OR "DWPI/F-CN-SC" IF SCC MIX USED, AND THE DATE OF THE POUR.</li> <li>EACH CONCRETE SECTION SHALL HAVE CAST-IN ON THE INSIDE "JENSEN", THE YEAR, AND THE DESIGNATION "FA-CN" OR "F-CN-SC" IF SCC MIX USED.</li> <li>EACH PIECE TO BE STENCILLED WITH ITS PART NO.</li> <li>NO SHARP OR ROUGH EDGES ON THE TERMINATORS ENTERING THE VAULT.</li> <li>K44-VN12-12T (200060771) VAULT NECK AND COVER, WITH APPROVED CAST IRON COVER TO BE USED WITH THIS VAULT.</li> <li>MINIMUM EXCAVATION SIZE: 8'-6" X 14'-6" X DEPTH REQ'D.</li> <li>ADDITIONAL SUBMITTAL, PERMIT AND CONSTRUCTION PLAN REVIEW WILL BE REQUIRED FOR EACH PROJECT LOCATION. SUBMIT TO CITY ENGINEERS FOR APPROVAL PRIOR TO START OF ANY CONSTRUCTION.</li> <li>ALL INSTALLATIONS SHALL COMPLY WITH ALL OTHER LOCAL GOVERNING CODES AND REGULATION INCLUDING CALIFORNIA PUBLIC UTILITIES COMMISSION REGULATIONS.</li> </ul>	
BURY DEPTH:	1.5' - 4.0' to Top
WATER LEVEL:	3.0'
APPROX. WEIGHT:	53943.91 Lbs
DESIGN SPEC:	AASHTO LRFD, ASTM C857
LOADING SPEC:	AASHTO HL-93
AGENCY:	LADWP
AGENCY SPEC:	G-284 G-4



24" x 36" DUCTED K.O. x 12" DEEP W/ (12) 5" DIA. TERMS. CAST IN

ISO VIEW

REV	DESCRIPTION	DATE	APPROVED
C	UPDATED BOM & STANDARD NOTE	10/23/2023	

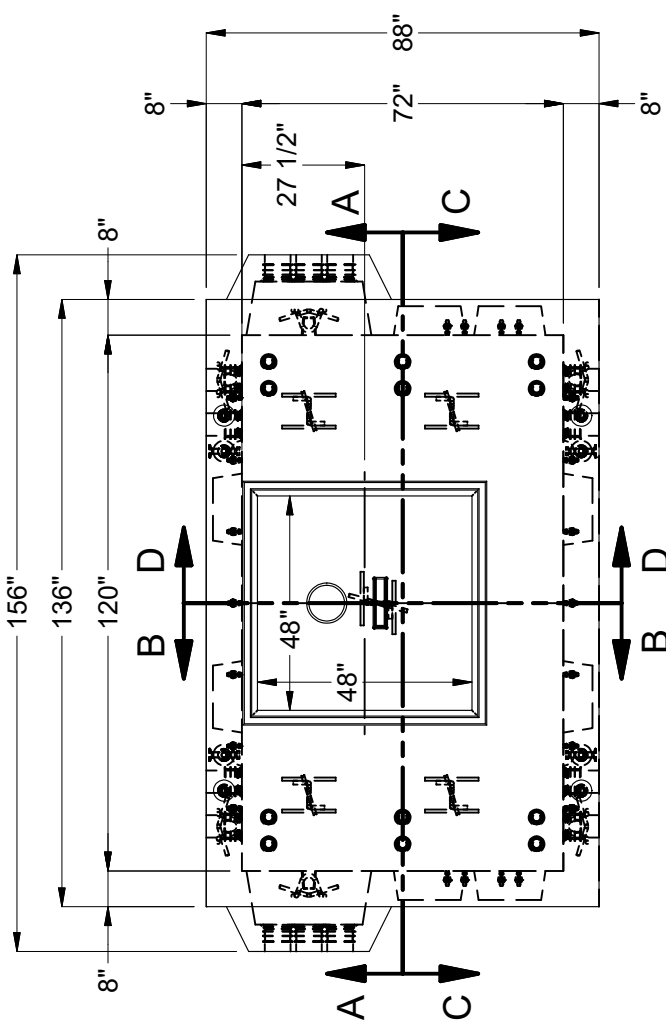
DESCRIPTION:	Vault Layout 72120x112 Terminators Ducted 48"x48"E LADWP G-284 G-4
PART NUMBER:	100010528
CREATED:	6/26/2019
DRAWN BY:	J. Prado
MODIFIED:	10/23/2023
REVISION HISTORY	

©2023 Jensen Precast. All rights reserved. All materials appearing as Jensen Precast documents and the like are proprietary work product and are protected under U.S. copyright and other laws. Unless in conjunction with business conducted with Jensen Precast, any use of Jensen Precast work product without express, written consent is prohibited, and recipient is prohibited from distributing any and all work product to non-approved third parties under penalty of civil action.

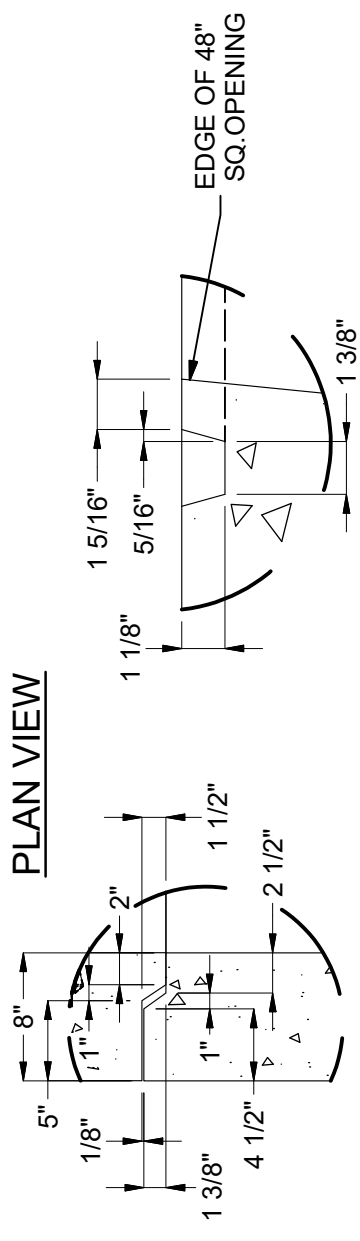
**JENSEN PRECAST** EST. 1968  
[WWW.JENSENPRECAST.COM](http://WWW.JENSENPRECAST.COM)

WATER LEVEL:	3.0'	APPROX. WEIGHT:	53943.91 Lbs
DESIGN SPEC:	AASHTO LRFD, ASTM C857	LOADING SPEC:	AASHTO HL-93
AGENCY:	LADWP	AGENCY SPEC:	G-284 G-4

100010528.rvt

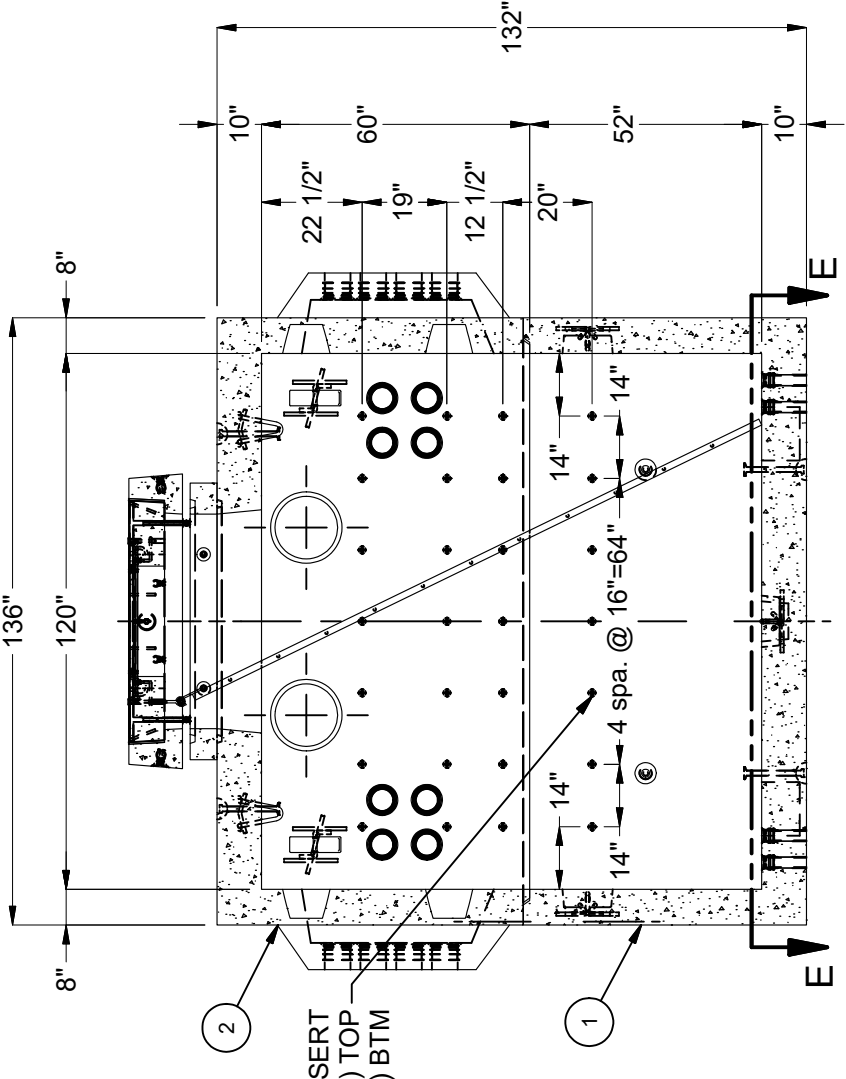


**PLAN VIEW**

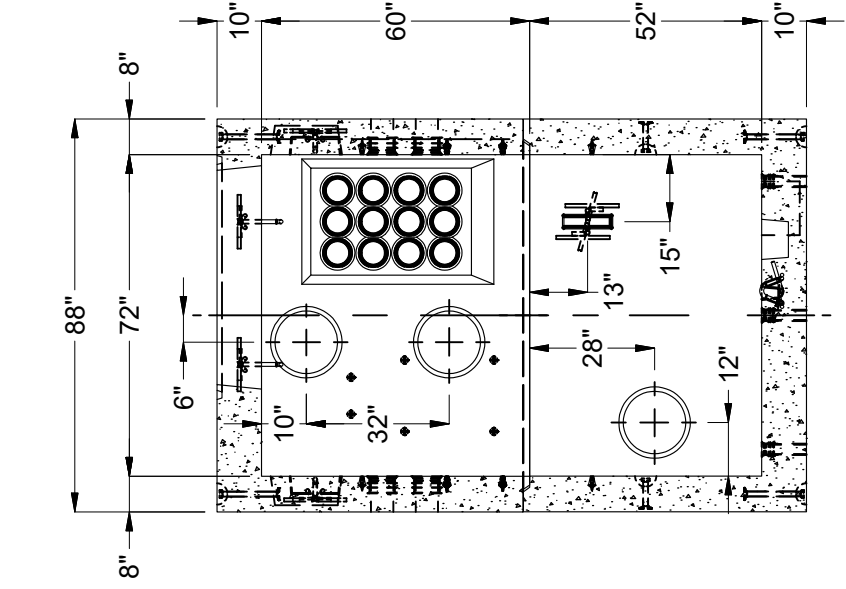


**JOINT DETAIL F**  
SHIPLAP WALLS

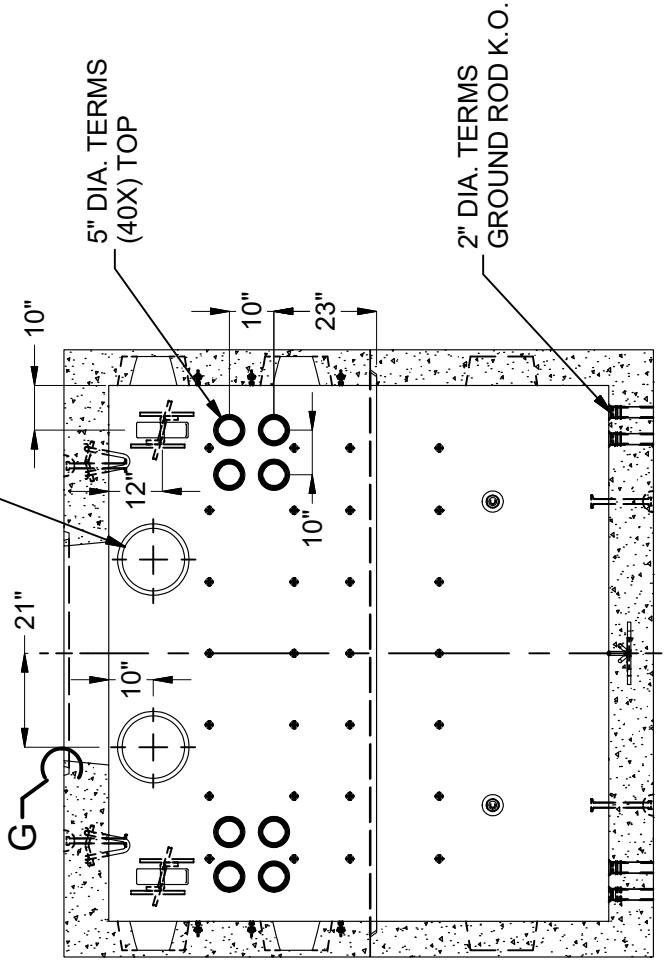
**JOINT DETAIL G**  
GROOVE IN SLAB



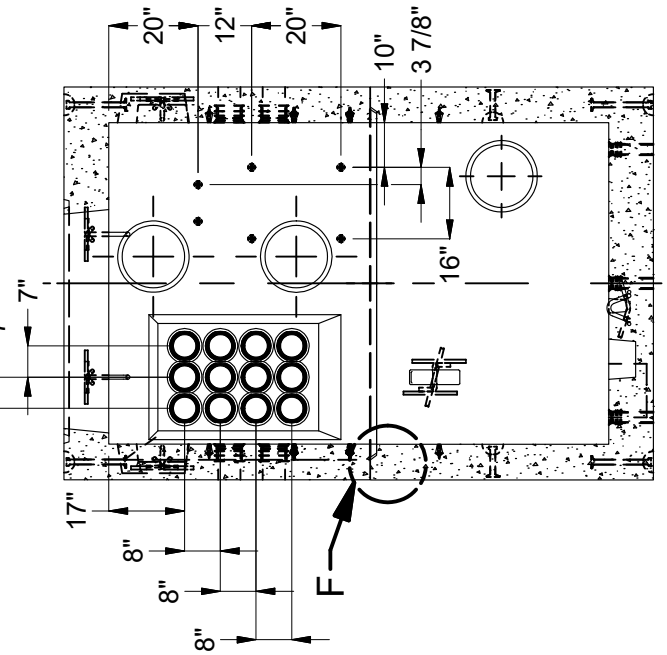
**SECTION A-A**



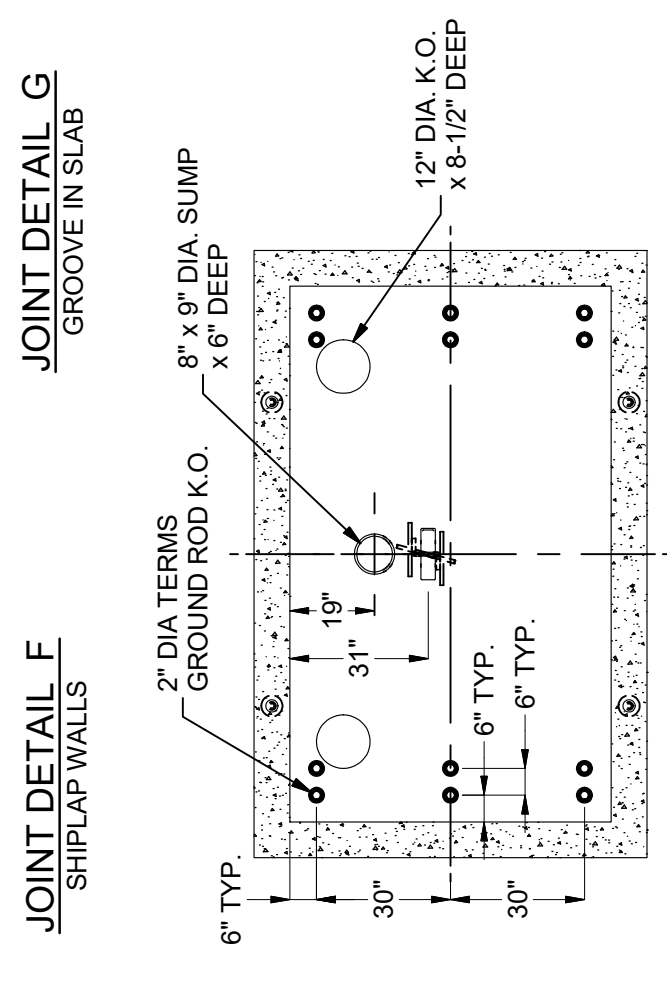
**SECTION B-B**



**SECTION C-C**



**SECTION D-D**



**SECTION E-E**  
BOTTOM SECTION

<b>BURY DEPTH:</b> 1.5' - 4.0' to Top <b>WATER LEVEL:</b> 3.0' <b>DESIGN SPEC:</b> AASHTO LRFD, ASTM C857 <b>AGENCY:</b> LADWP	<b>APPROX. WEIGHT:</b> 53943.91 Lbs <b>LOADING SPEC:</b> AASHTO HL-93 <b>AGENCY SPEC:</b> G-284 G-4	 EST. 1968 <b>WWW.JENSENPRECAST.COM</b>	<b>DESCRIPTION:</b> Vault Layout 72120x112 Terminators Ducted 48"x48"E LADWP G-284 G-4 <b>LAYOUT DRAWING</b> <b>DRAWN BY:</b> J. Prado <b>MODIFIED:</b> 10/23/2023	<b>REV:</b> C-1
				<b>SHEET:</b> 05
			<b>PART NUMBER:</b> 100010528 <b>CREATED:</b> 6/26/2019	<b>2 OF 2</b>