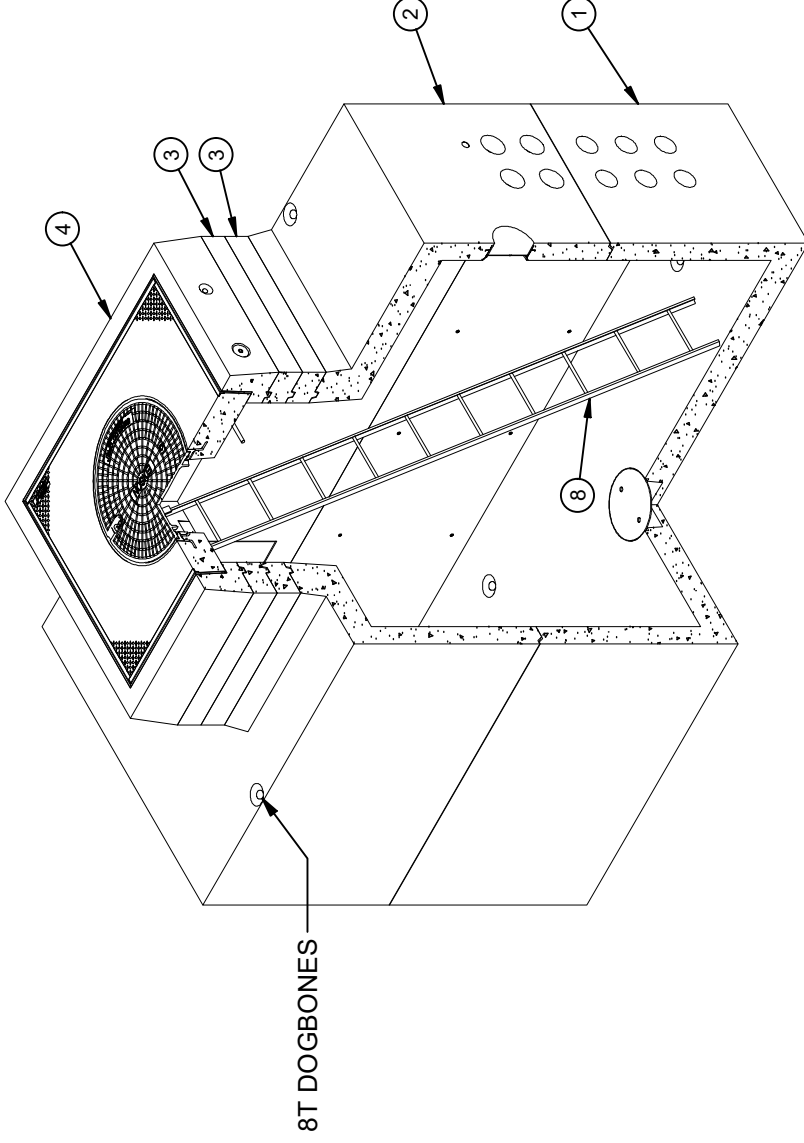


DESIGN NOTES

- DESIGNED IN ACCORDANCE WITH AASHTO HS20-44 TRAFFIC BRIDGE LOADING USING 5,500 PSI COMPRESSIVE STRENGTH CONCRETE AND 60,000 PSI YIELD STRENGTH ASTM A-706 STEEL REINFORCEMENT PER CALCS. #31094
- MINIMUM EXCAVATION SIZE: 7'-10" X 13'-10" DEPTH REQD.
- COVER DESIGN FOR TRAFFIC LOADING.
- VAULT TO BE PLACED ON A MIN. 6" BASE OF CRUSHER RUN FOR EASE OF INSTALLATION AND EVEN LOAD DISTRIBUTION.
- CONCRETE MIX USED IN POURING THIS PRODUCT SHALL USE FLY ASH AS AN ADMIXTURE.
- FINISH COATING: ALL INTERIOR WALLS AND CEILING SHALL BE PAINTED WHITE.
- ALL PARTS TO BE STENCILED: MFG DATE / JOB NUMBER / PRODUCT ID / WEIGHT.
- FOR COMPLETE DESIGN AND PRODUCT INFORMATION CONTACT JENSEN PRECAST.

BILL OF MATERIALS

ITEM	UNIT QTY	QTY	PART NUMBER	DESCRIPTION	MASS (lb)
1	1	1	100009520	Vault 72144x42 Rect. Bottom Section Terminators Sump EDISON UGS VA 410 & MH 310	15724
2	1	1	200016675	Vault 72144x42 Rect. Top Section 48"x60"E Terminators EDISON UGS VA 410	14968
3	1	2	200012851	Riser 4860x6 Rect. Riser LADWP 1-802 2B	1170
4	1	1	200040425	Vault Neck and Plug Cover 4860x12 Assembly 30"C EDISON UGS VA 470 & FC 660	4064
5	1	4	100013515	CHAIN 1/2 7-1/2FT GR-30 (FIELD CUT)	
6	1	4	100009367	SHACKLE 5/8IN W/3/4 COTTER PIN GALV	
7	1	4	100009368	TURNBUCKLE CLEVIS-TO-CLEVIS 3/4 THREADED GALV	
8	1	1	100005672	LADDER HOOKED GALV 10FT-6IN ED/LA I3382	
9	1.000 ul	1.000 ul	100005749	SEALANT JOINT BUTYL RUBBER ASTM C-990 AND M198 CS-102 1IN EQUIV X14.5FT PER BOX 118FT	
10	1	4	100009239	ROD THREADED COIL YELLOW DIP 3/4 X 10-1/2"	
11	1	8	100007010	HEX COIL NUT 3/4-4.5 ZINC - PLATED	
12	1	8	100007136	WASHER FLAT 3/4 REGULAR TYPE A ZINC	
13	2.750 gal	2.750 gal	100006420	COATING PAINT LATEX WHITE	
14	1	1	100006783	SUMP COVER FOR 13"SUMP(15"OD)GALV DIA PLATE	
15	1	4	100022758	GROUND ANCHOR BRACKET KIT HALO HB304R	
16	1	4	100007767	WASHER FLAT 1/2 REGULAR 1.25 OD 304SS	
17	1	4	100004320	BOLT HEX 1/2-13 UNC 1 304SS	



ISOMETRIC VIEW

LIFTING NOTES

- FIELD INSTALLATION: PLANT DEMOLING: MINIMUM HANDLING CONCRETE STRENGTH F_c = 5500 PSI RIGGING EQUALIZER REQUIRED TO EQUALIZE LOAD TO 4 LIFTING POINTS WITH A SLING ANGLE BETWEEN 60° AND 90°
- BURY DEPTH: 0.0' - 4.0' to Top
- WATER LEVEL: 3.0'
- APPROX. WEIGHT: 37204.57 Lbs
- DESIGN SPEC: ASTM C857, ACI 318
- LOADING SPEC: A-16 (AASHTO HS20-44)
- AGENCY: EDISON
- AGENCY SPEC: UGS VA 410

REV	DESCRIPTION	DATE	APPROVED
B	INITIAL RELEASE	12/2/2022	

REVISION HISTORY

DESCRIPTION: Vault 72144 Layout Assembly EDISON UGS VA 410 Int. Coating - White Latex Paint

REV: B-1

SHEET: 96

PART NUMBER: 100010536 LAYOUT REVIEW

DRAWN BY: M. Zaragoza

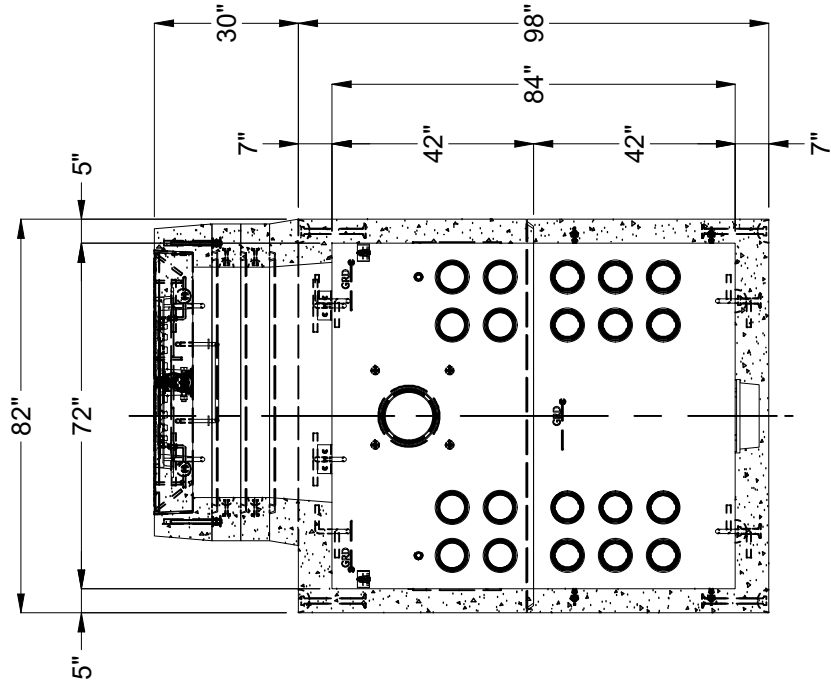
CREATED: 2/6/2019 MODIFIED: 12/2/2022



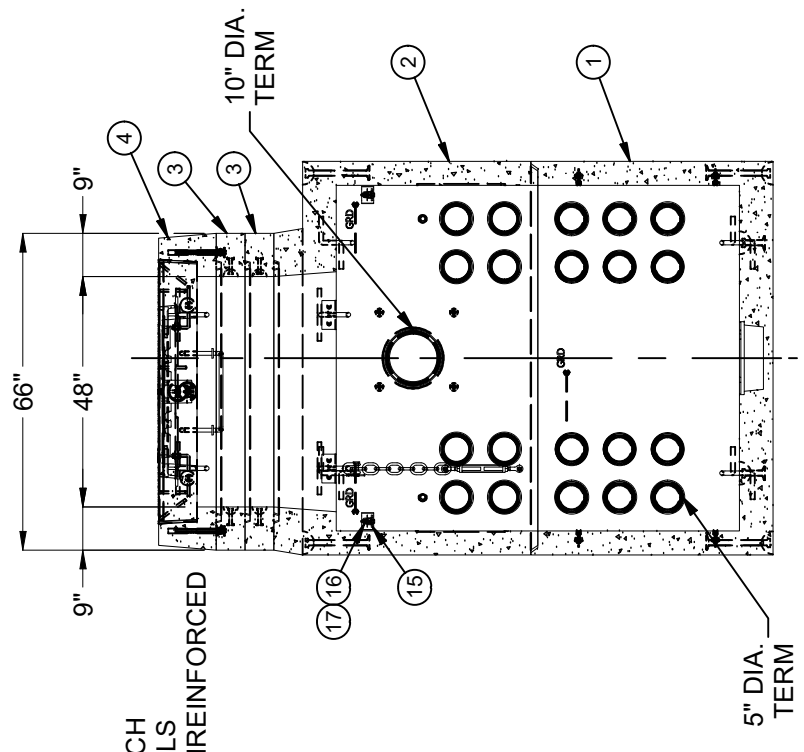
EST. 1968

WWW.JENSENPRECAST.COM

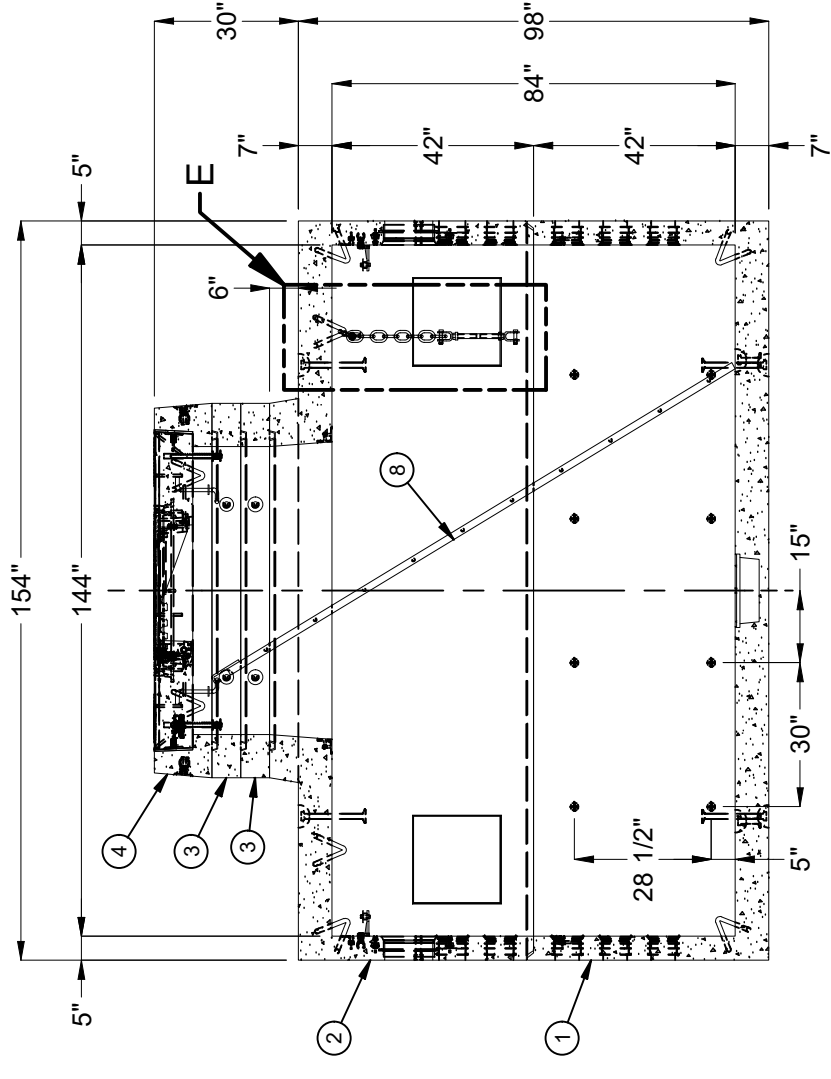
©2022 Jensen Precast. All rights reserved. All materials appearing as Jensen Precast documents and the like are proprietary work product and are protected under U.S. copyright and other laws. Unless in conjunction with business conducted with Jensen Precast, any use of Jensen Precast work product without express, written consent is prohibited, and recipient is prohibited from distributing any and all work product to non-approved third parties under penalty of civil action.



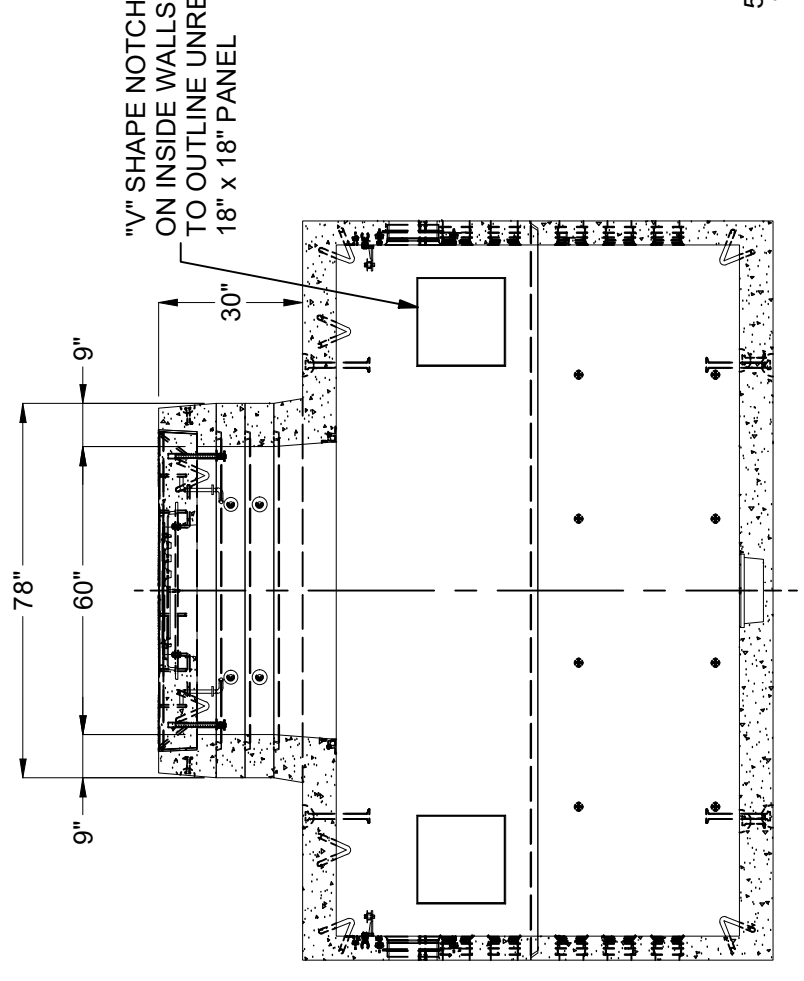
SECTION B-B



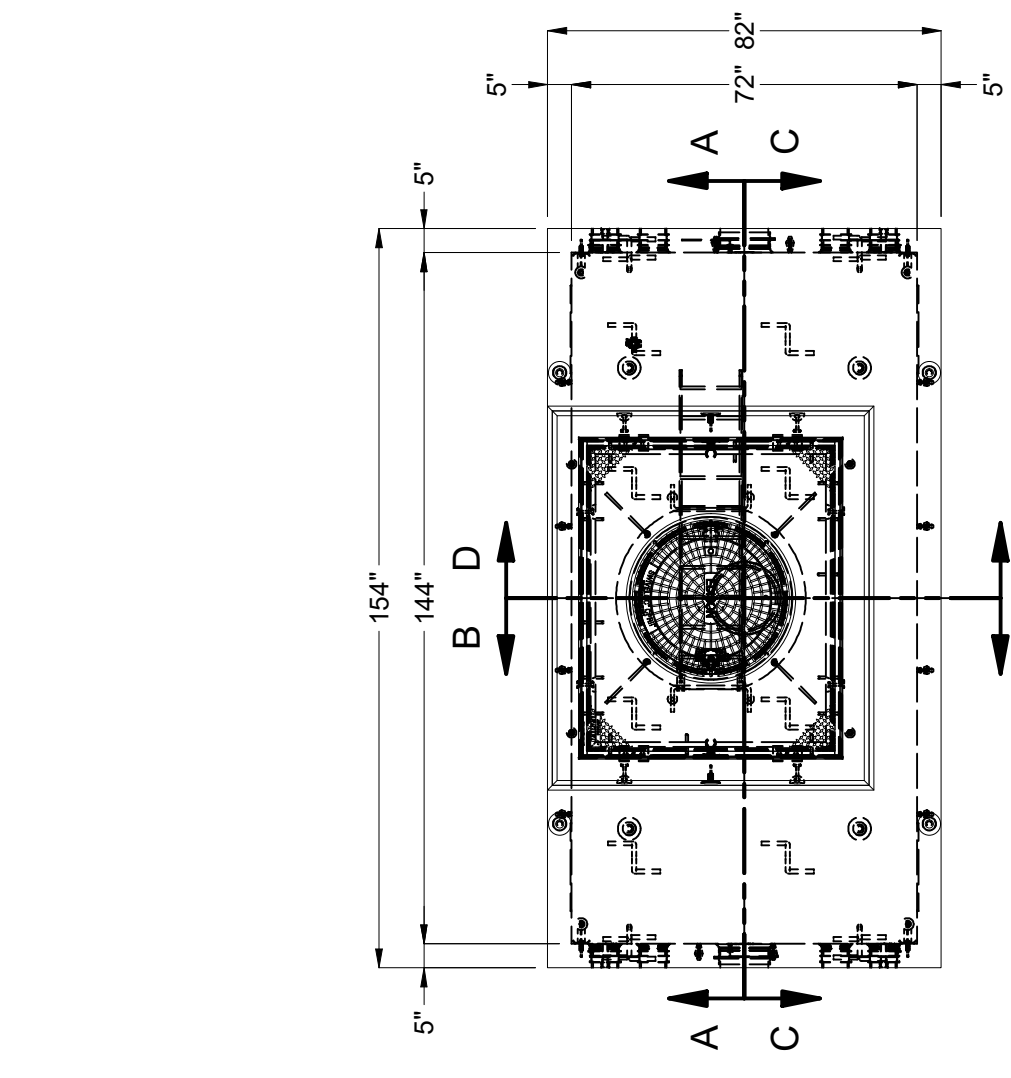
SECTION D-D



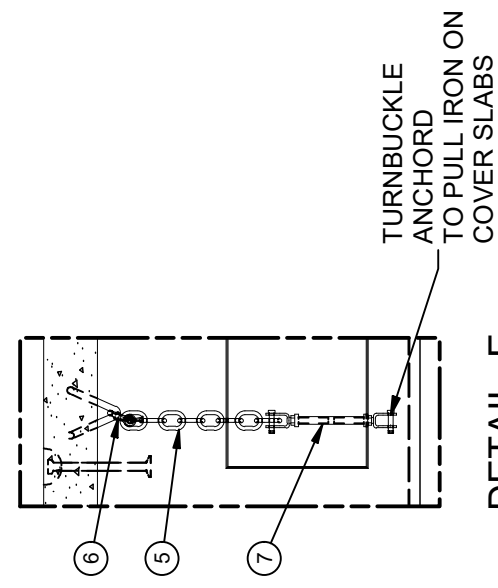
SECTION A-A



SECTION C-C



PLAN VIEW



DETAIL E

"V" SHAPE NOTCH ON INSIDE WALLS TO OUTLINE UNREINFORCED 18" x 18" PANEL

TURNBUCKLE ANCHOR TO PULL IRON ON COVER SLABS

BURY DEPTH:	0.0' - 4.0' to Top	DESIGNATION:	UGS VA 410
WATER LEVEL:	3.0'	APPROX. WEIGHT:	37204.57 Lbs
DESIGN SPEC:	ASTM C857, ACI 318	LOADING SPEC:	A-16 (AASHTO HS20-44)
AGENCY:	EDISON	AGENCY SPEC:	
DESCRIPTION:	Vault 72144 Layout Assembly EDISON UGS VA 410 Int. Coating - White Latex Paint		
REV:	B-1	LAYOUT DRAWING	
SHEET:	97	DRAWN BY:	M. Zaragoza
		MODIFIED:	12/2/2022
		PART NUMBER:	100010536
		CREATED:	2/6/2019

©2022 Jensen Precast. All rights reserved. All materials appearing as Jensen Precast documents and the like are proprietary work product and are protected under U.S. copyright and other laws. Unless in conjunction with business conducted with Jensen Precast, any use of Jensen Precast work product without express, written consent is prohibited, and recipient is prohibited from distributing any and all work product to non-approved third parties under penalty of civil action.

JENSEN PRECAST EST. 1968
WWW.JENSENPRECAST.COM