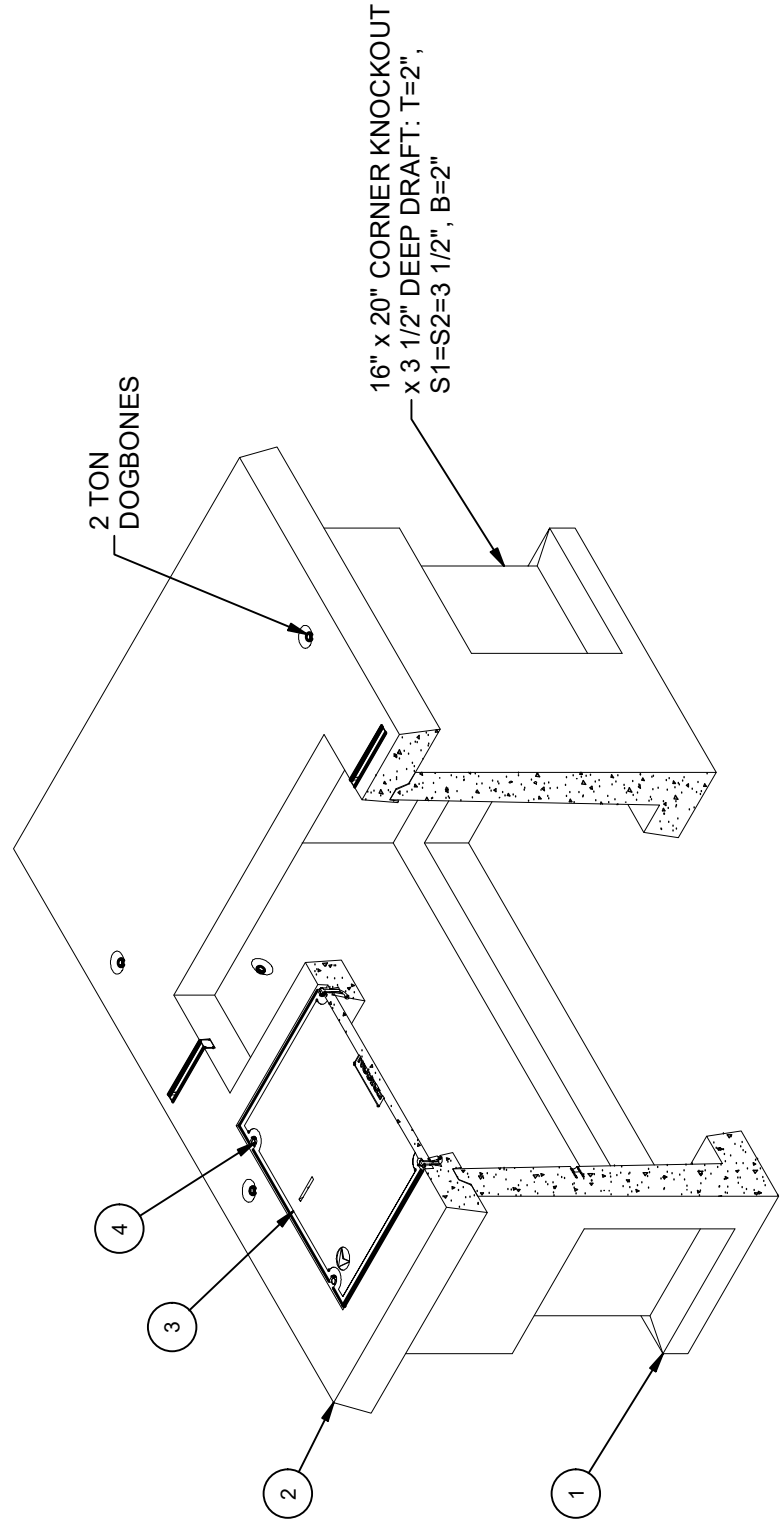


# BILL OF MATERIALS

DESIGN NOTES	
■	DESIGNED IN ACCORDANCE WITH AASHTO HS20-44 TRAFFIC BRIDGE LOADING USING 5500 PSI COMPRESSIVE STRENGTH CONCRETE AND 60,000 PSI YIELD STRENGTH ASTM A-706 STEEL REINFORCEMENT PER CALCS. #31655.
■	COVER DESIGN FOR PARKWAY LOADING (300 PSF).
■	MINIMUM EXCAVATION SIZE: 5'-10" X 9'-0" X DEPTH REQ'D.
■	VAULT TO BE PLACED ON A MIN. 6" BASE OF CRUSHER RUN FOR EASE OF INSTALLATION AND EVEN LOAD DISTRIBUTION.
■	ALL PARTS TO BE STENCILED: MFG DATE / JOB NUMBER / PRODUCT ID / WEIGHT.
■	FOR COMPLETE DESIGN AND PRODUCT INFORMATION CONTACT JENSEN PRECAST.

ITEM	UNIT QTY	QTY	PART NUMBER	DESCRIPTION	MASS (lb)
1	1	1	100012313	Vault 4884x42 Rect. Bottom Section Thinwall ED/AN/RP/AZ UGS SS530, SB-2	6265
2	1	1	100012277	Pad 72102x6 EDISON UGS SS530, SB-1	2632
3	1	1	100007038	COVER 3048 POLYMER EDISON	259
4	1	6	100008105	PENTA BOLT 1/2-13 UNC 2-1/2 304SS W/CAPWASH	
5	1,000 ul	1,000 ul	100005749	SEALANT JOINT BUTYL RUBBER ASTM C-990 AND M198 CS-102 1IN EQUIV X14.5FT PER BOX 118FT	



ISO VIEW

LIFTING NOTES	
■	FIELD INSTALLATION: PLANT DEMOLING: MINIMUM HANDLING CONCRETE STRENGTH F <sub>c</sub> = 5500 PSI RIGGING EQUALIZER REQUIRED TO EQUALIZE LOAD TO 4 LIFTING POINTS WITH A SLING ANGLE BETWEEN 60° AND 90°
BURY DEPTH:	0.0' - 0.0' to Top
WATER LEVEL:	3.0'
DESIGN SPEC:	ACI 318, ASTM C857
AGENCY:	Edison
APPROX. WEIGHT:	9157.29 Lbs
LOADING SPEC:	A-16 (AASHTO HS20-44)
AGENCY SPEC:	UGS SS530, SB-1

REVISION HISTORY			
REV	DESCRIPTION	DATE	APPROVED
B-2	RELEASED IN INVENTOR	2/16/2024	

DESCRIPTION:	Slab Box Layout 4884x42 Knockout 30"x48"E Edison UGS SS530, SB-1
PART NUMBER:	100010543
CREATED:	9/27/2019
DRAWN BY:	D. Mejia
MODIFIED:	2/16/2024

REV:	B-2
SHEET:	9
	1 OF 2

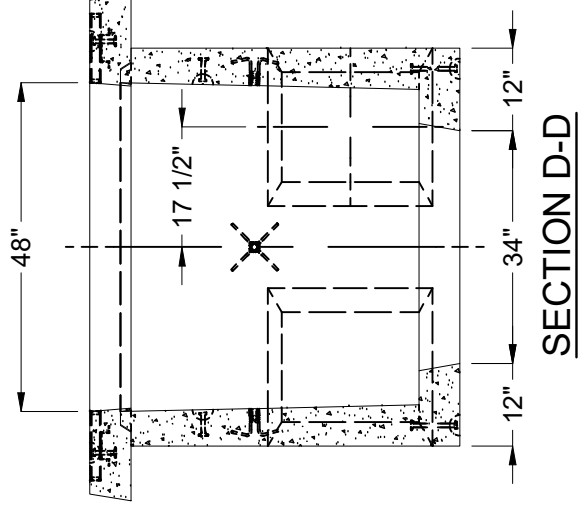
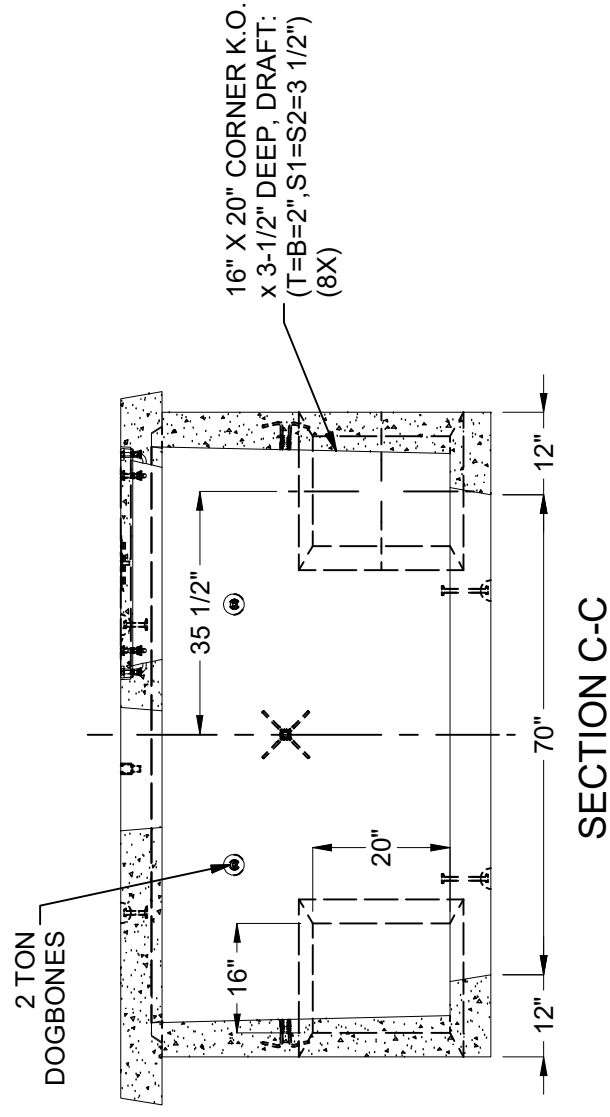
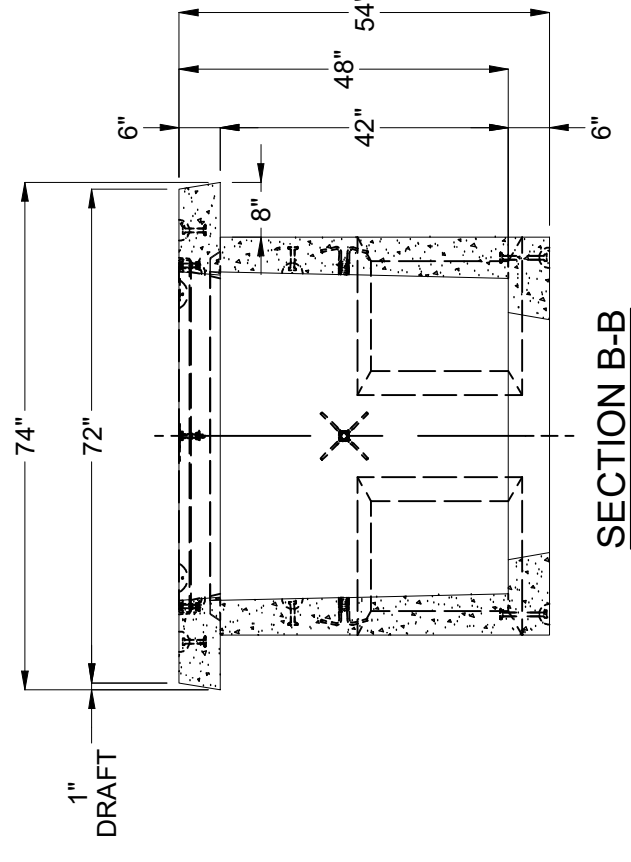
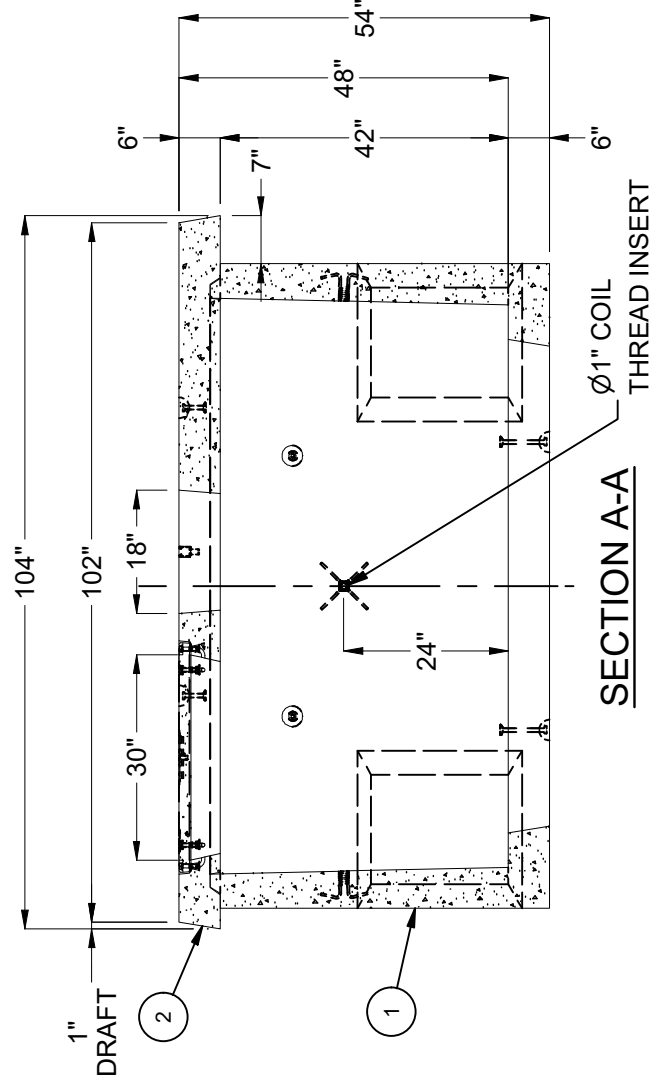
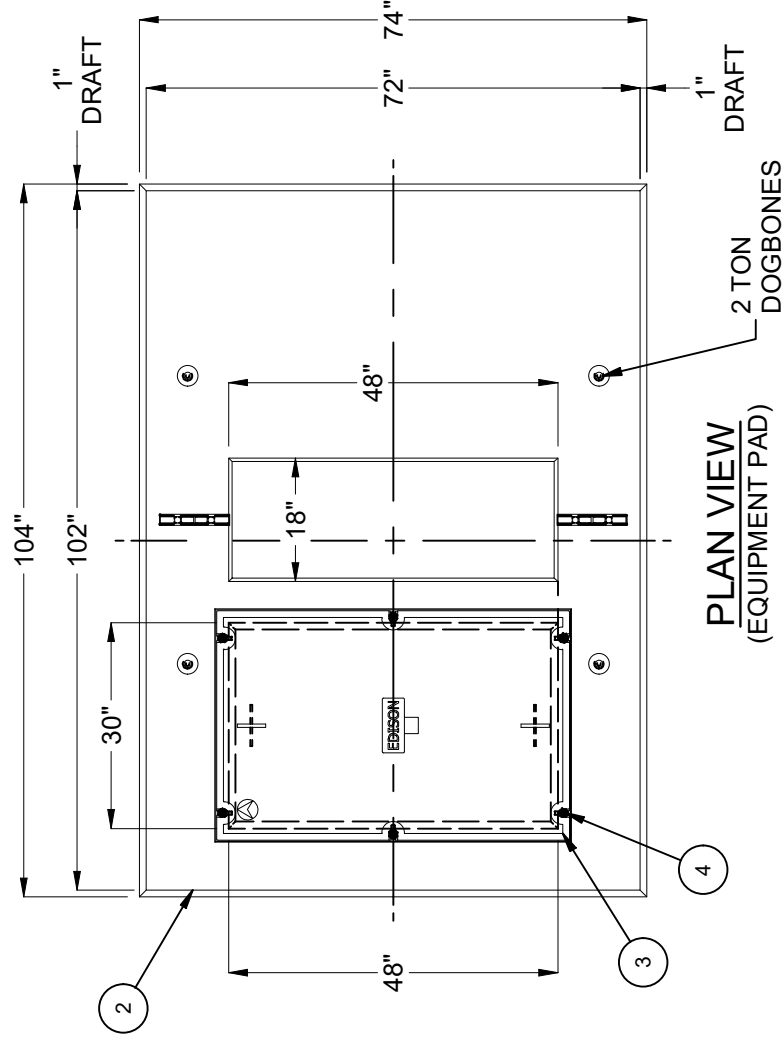
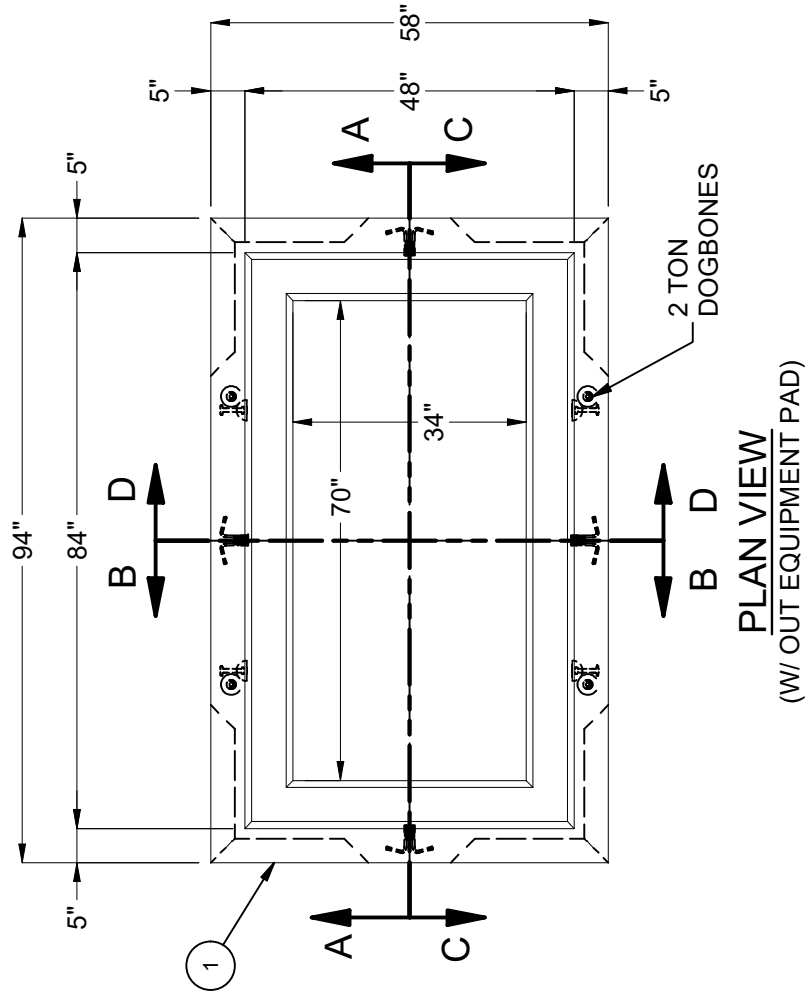
©2024 Jensen Precast. All rights reserved. All materials appearing as Jensen Precast documents and the like are proprietary work product and are protected under U.S. copyright and other laws. Unless in conjunction with business conducted with Jensen Precast, any use of Jensen Precast work product without express, written consent is prohibited, and recipient is prohibited from distributing any and all work product to non-approved third parties under penalty of civil action.



EST. 1968

WWW.JENSENPRECAST.COM

100010543.rvt



BURY DEPTH:	0.0' - 0.0' to Top
WATER LEVEL:	3.0'
DESIGN SPEC:	ACI 318, ASTM C857
AGENCY:	Edison
APPROX. WEIGHT:	9157.29 Lbs
LOADING SPEC:	A-16 (AASHTO HS20-44)
AGENCY SPEC:	UGS SS530, SB-1

**JENSEN PRECAST** EST. 1968  
 WWW.JENSENPRECAST.COM

©2024 Jensen Precast. All rights reserved. All materials appearing as Jensen Precast documents and the like are proprietary work product and are protected under U.S. copyright and other laws. Unless in conjunction with business conducted with Jensen Precast, any use of Jensen Precast work product without express, written consent is prohibited, and recipient is prohibited from distributing any and all work product to non-approved third parties under penalty of civil action.

DESCRIPTION:	Slab Box Layout 4884x42 Knockout 30"x48"E Edison UGS SS530, SB-1
PART NUMBER:	100010543
CREATED:	9/27/2019
LAYOUT DRAWING	
DRAWN BY:	D. Mejia
MODIFIED:	2/16/2024

REV:	B-2
SHEET:	91
	2 OF 2

100010543.rvt