

6'-0" x 8'-6" TRANSFORMER PAD W/4'-0" x 7'-0" ENCLOSURE x 42" DEEP

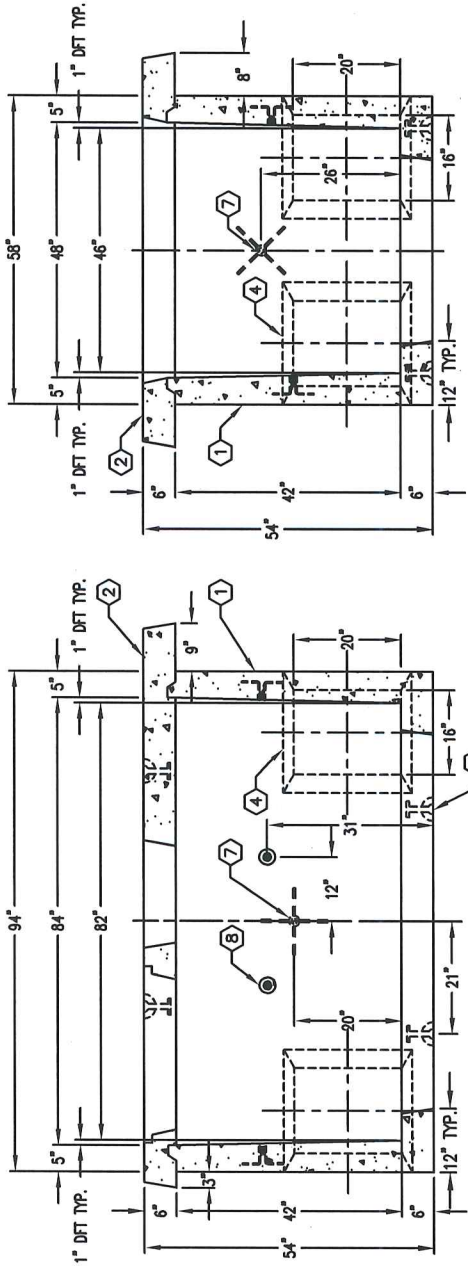
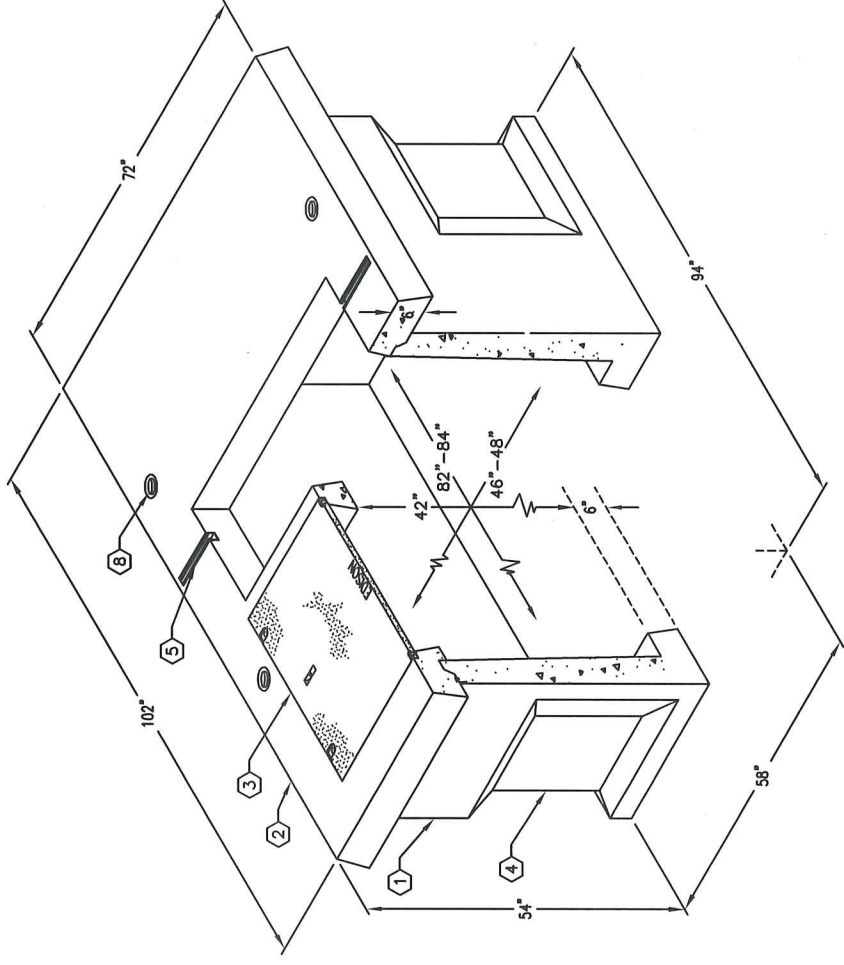
MATERIAL LIST

ITEM PART NO.	DESCRIPTION	CAGE NO./ LOCATE	WEIGHT/ MOUNT
1 SB47-B42-11	42" BOTTOM SECTION	CG-SB47-B42-11	6,300 lbs., 1.54 C.Y.
2 PD72102-T6-11	6" TRANSFORMER PAD	CG-PD72102-T6-11 OR CG-PD72102-T6-WWR-11	2,800 lbs., 0.69 C.Y.
3 12-20-56	RPM COVER MARKED "COB ELECTRIC" (6) 1/2"x2-1/2" S.H.S.S. BOLT w/(2) PICK HOLES		109 lbs
4 KNOCK OUT	20" x 16" CORNER KNOCKOUT x 3-1/2" DEEP DRAFT: T=2", S1=S2=3-1/2", B=0"	BOTTOM SECTION	(8) SHELL
5 55-21-010	1-5/8" x 1-5/8" UNISTRUT x 10" LONG	TRANSFORMER PAD	(2) TABLE
6 55-10-416	1/2" P-35-T INSERT WITH CLEAN OUT HOLE	TRANSFORMER PAD	(6) FRAME
7 55-10-830	1" GALV. COIL THREAD INSERT	BOTTOM SECTION	(4) CORE
8 55-20-203	2 TON x 3-3/8" GALV. DOGBONE ANCHORS FOR HANDLING	BOTTOM SECTION	(4) SURFACE & CORE

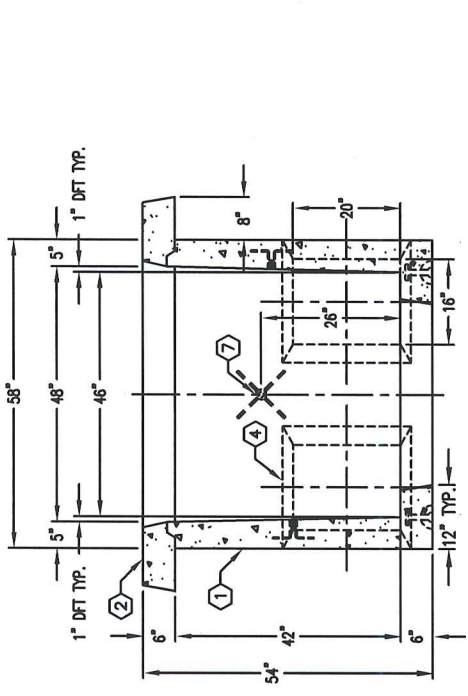
NOTES:

- SUBSTRUCTURE CONCRETE DESIGNED PER ASTM C857, LOAD DESIGNATION A16 (ASHTO H-20-44) TRAFFIC LOADING, ASTM A706 GR.60. PAD CONCRETE DESIGNED PER LOAD DESIGNATION A-0.3 (300 PSF) PARKWAY LOADING, USING 5,500 P.S.I. CONCRETE AND ASTM A-1064 GR.75 STEEL REINFORCEMENT PER CALC. #31655.
- COVER IS DESIGNED FOR PARKWAY LOADING PER WESTERN UNDERGROUND COMMITTEE (W.U.C. 3.6).
- PAD AND ENCLOSURE DESIGNED FOR 7,500 LB. (TRANSFORMER) VERTICAL DEAD LOAD.
- ENCLOSURE TO BE PLACED ON A MIN. 6" BASE OF CRUSHER RUN FOR EVEN LOAD DISTRIBUTION AND EASE OF INSTALLATION.

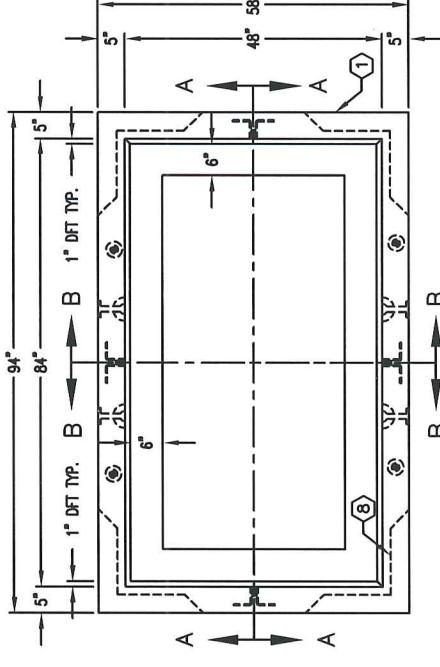
MINIMUM EXCAVATION SIZE:
3'-6" x 6'-6" x 42" DEEP MIN.



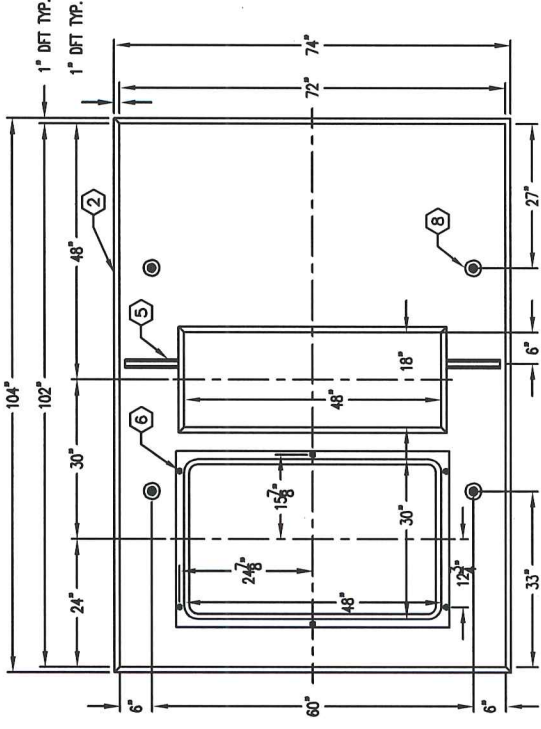
SECTION A-A



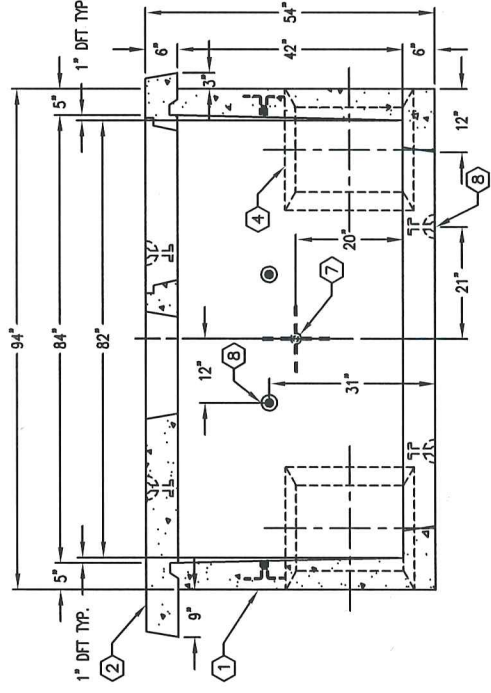
SECTION B-B



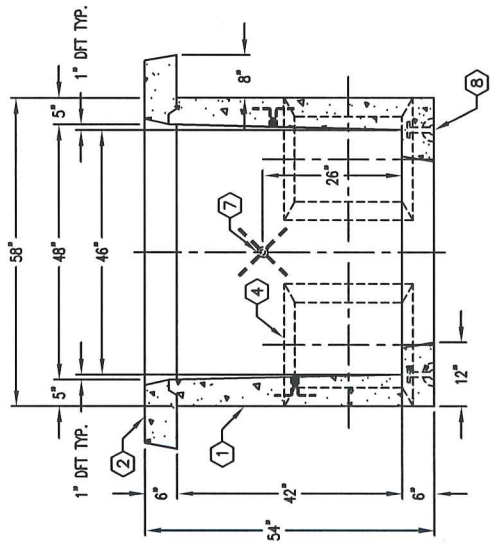
PLAN VIEW
W/O TRANSFORMER PAD



PLAN VIEW OF TRANSFORMER PAD



SECTION C-C



SECTION D-D

APPROVED

MAR 15 2015

WPM