

6'-0" x 9'-0" FLAT WALL TUNNEL MANHOLE x 15'-0" LONG

ITEM PART NO.	DESCRIPTION	CAGE NO./ LOCATE	WEIGHT/ MOUNT
1	TV69-E30-14 (2) 30" END SECTION	CG-69-E30-14	12,700 lbs
2	TV69-C60-14 60" CENTER SECTION WITH OPENING	CG-69-C60-14	15,150 lbs
3	TV69-R60-14 60" EXTENSION SECTION	CG-69-R60-14	16,000 lbs
4	NOT USED		
5	KNOCK OUT 13" x 12" DIA. SUMP x 4 1/2" DEEP	CENTER SECTION	(1) CORE
6	55-35-03 7/8" DIA x 3 3/8" GALV. PULL IRON	END SECTION	(2) CORE
7	50-30-43 4" DIA. CONDUIT CONTERM SLEEVE 4.35" x 4.5" I.D. STEPPED	END SECTION	(40) SURFACE
8	55-21-015 1 5/8" x 1 5/8" UNISTRUT x 15"	CENTER SECTION	(20) CORE
8	55-21-057 1 5/8" x 1 5/8" UNISTRUT x 57"	EXTENSION SECTION	(10) CORE
9	BRK-TV BOLT UP CASTINGS	END SECTION	(4) CORE
		CENTER & EXT. SECTION	(8) CORE
10	55-10-215 1/4" THREADED BRONZE GROUND INSERT WELD TO REBAR "GRD" TO BE STENCILED IN RED LETTERS	CENTER & EXT. SECTION	(2) CORE
		END SECTION	(2) CORE
11	55-10-210 1/4" P-15-T WITH 1/4"-20NC x 1" S.S. HEAD BOLT FOR BONDING RIBBON	END SECTION	(2) CORE
		CENTER & EXT. SECTION	(2) CORE
12	55-20-409 4 TON x 9 1/2" GALV. RISS FOR HANDLING	END SECTION	(2) SHELL
		CENTER & EXT. SECTION	(4) SURFACE
			(6) SURFACE

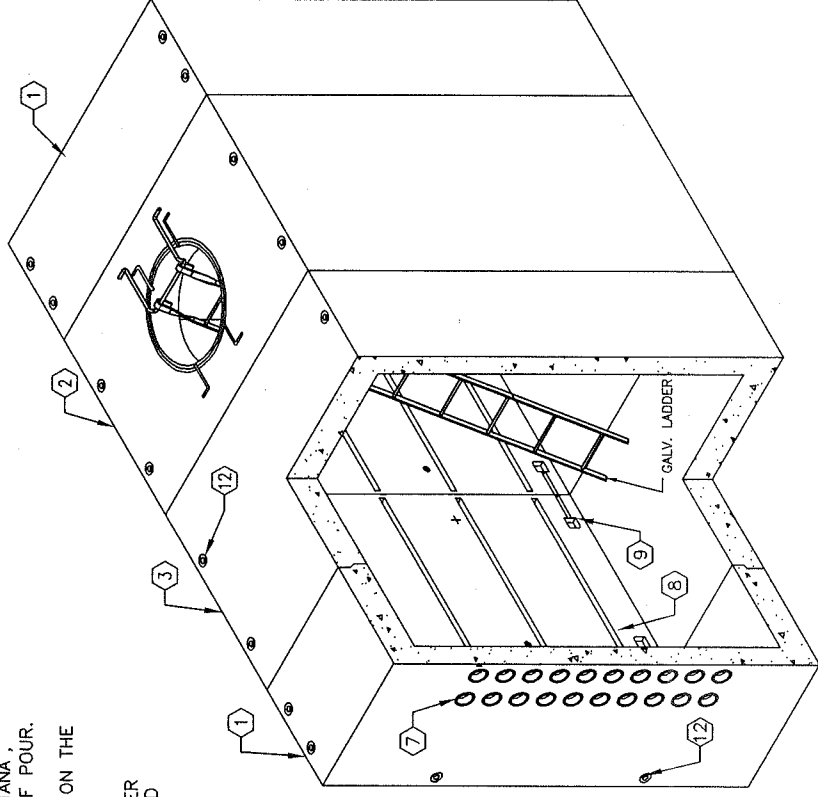
NOTES:

- CONCRETE DESIGNED PER ASTM C857, LOAD DESIGNATION A16 (AASHTO H-20-44) TRAFFIC LOADING, USING 5,500 PSI CONCRETE ASTM A706 GR.60 STEEL REINFORCEMENT PER CALCS. #33845.
- LIMITS OF COVER OVER ROOF SECTION IS 10" TO 5'-0".
- ALL WALLS AND CEILING SHALL BE PAINTED WHITE.
- EACH CONCRETE SECTION SHALL BE MARKED ON THE INSIDE & OUTSIDE WITH "JENSEN PRECAST-FONTANA", "JENSEN PART #", "AT&T OIN#" AND THE DATE OF POUR.
- EACH CONCRETE SECTION SHALL HAVE CAST-IN ON THE INSIDE "JENSEN", AND THE YEAR.
- VAULT TO BE PLACED ON MIN. 6" BASE OF CRUSHER RUN FOR EASE OF INSTALLATION AND EVEN LOAD DISTRIBUTION.

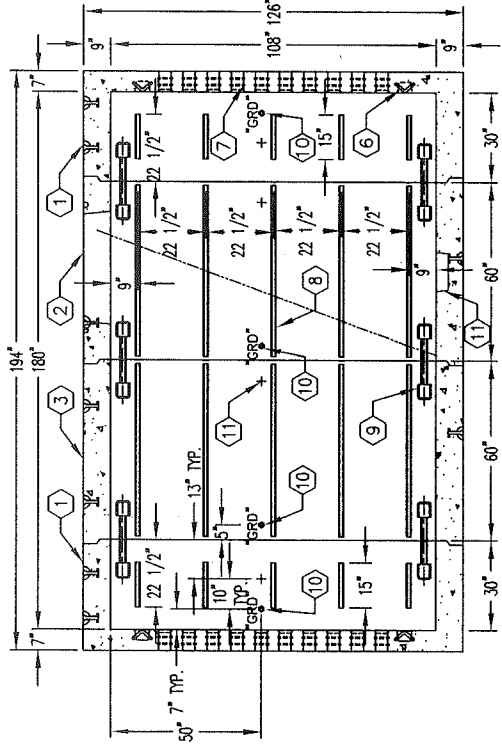
MINIMUM EXCAVATION SIZE:  
8'-0" x 17'-0" x DEPTH REQ'D.

THE FOLLOWING MATERIALS ARE TO BE SHIPPED WITH THE MANHOLE.

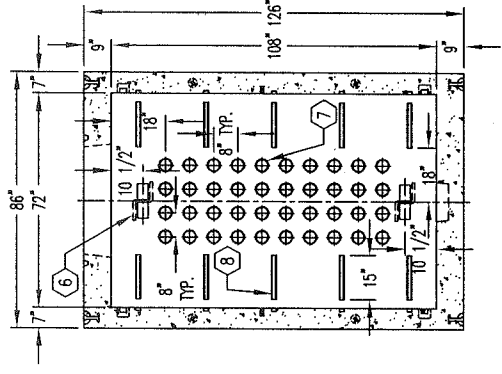
- (a) A-3383 LADDER STEPS
- (b) A-3600 LADDER 10'
- (c) SEE CABLE RACKING DWG'S 69-E24, 30-CR14 & 69-R60-CR14
- (d) SEE GRADE RING & COVER DWG GRC-OPT-14



ISO VIEW

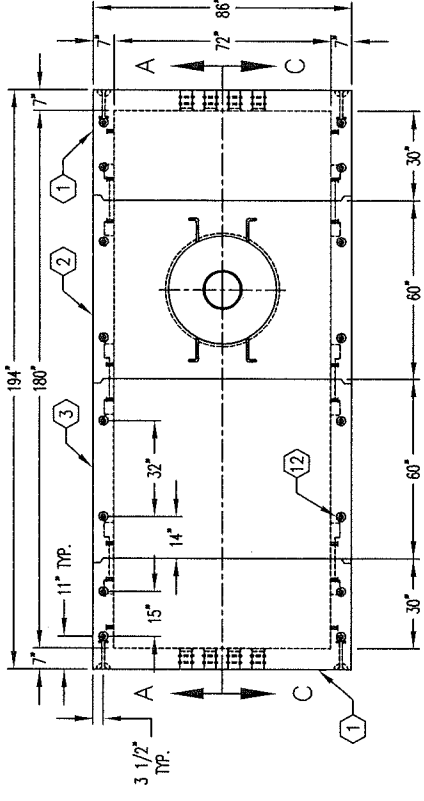


SECTION A-A

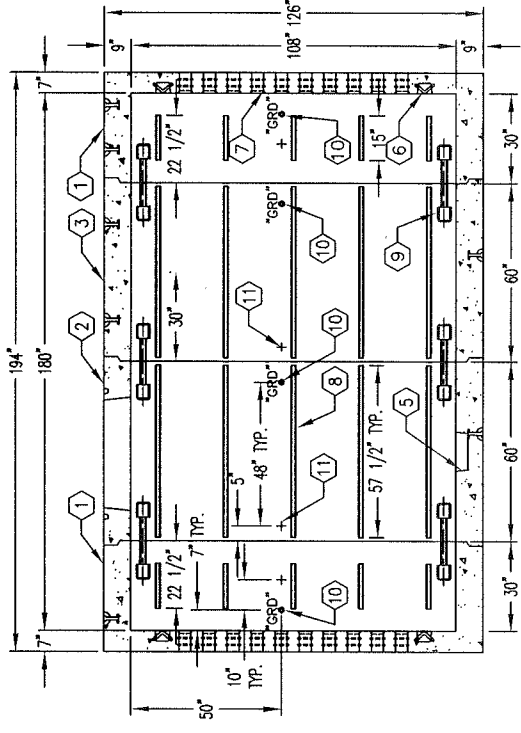


SECTION B-B

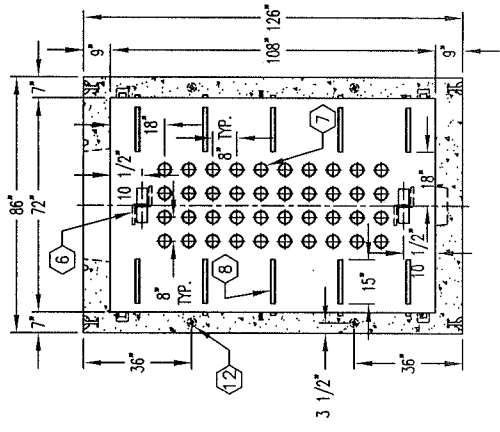
DESCRIPTION	AT&T OIN#
6'x9'37" MODULAR MANHOLE END CAP W/RACKING	XXXXXXXXXX
6'x9'37" MODULAR MANHOLE END CAP W/RACKING	XXXXXXXXXX
6'x9'5" MODULAR MANHOLE CENTER W/ACCESS & RACKING	100061967
6'x9'5" MODULAR MANHOLE CENTER W/O ACCESS & W/RACKING	100061968



PLAN VIEW



SECTION C-C



SECTION D-D

DATE	DRAWN BY	CHECKED BY		
02-06-17	DM	ORIGIN K69-TV15-14, REV HI (P.E.)		
#	DATE	DESCRIPTION	BY	CHK

JENSEN PRECAST

K69-TV15-14

PER AT&T SPECS.

JENSEN PRECAST

AUTOCAD 2005

K69-TV15-14

PER AT&T SPECS.