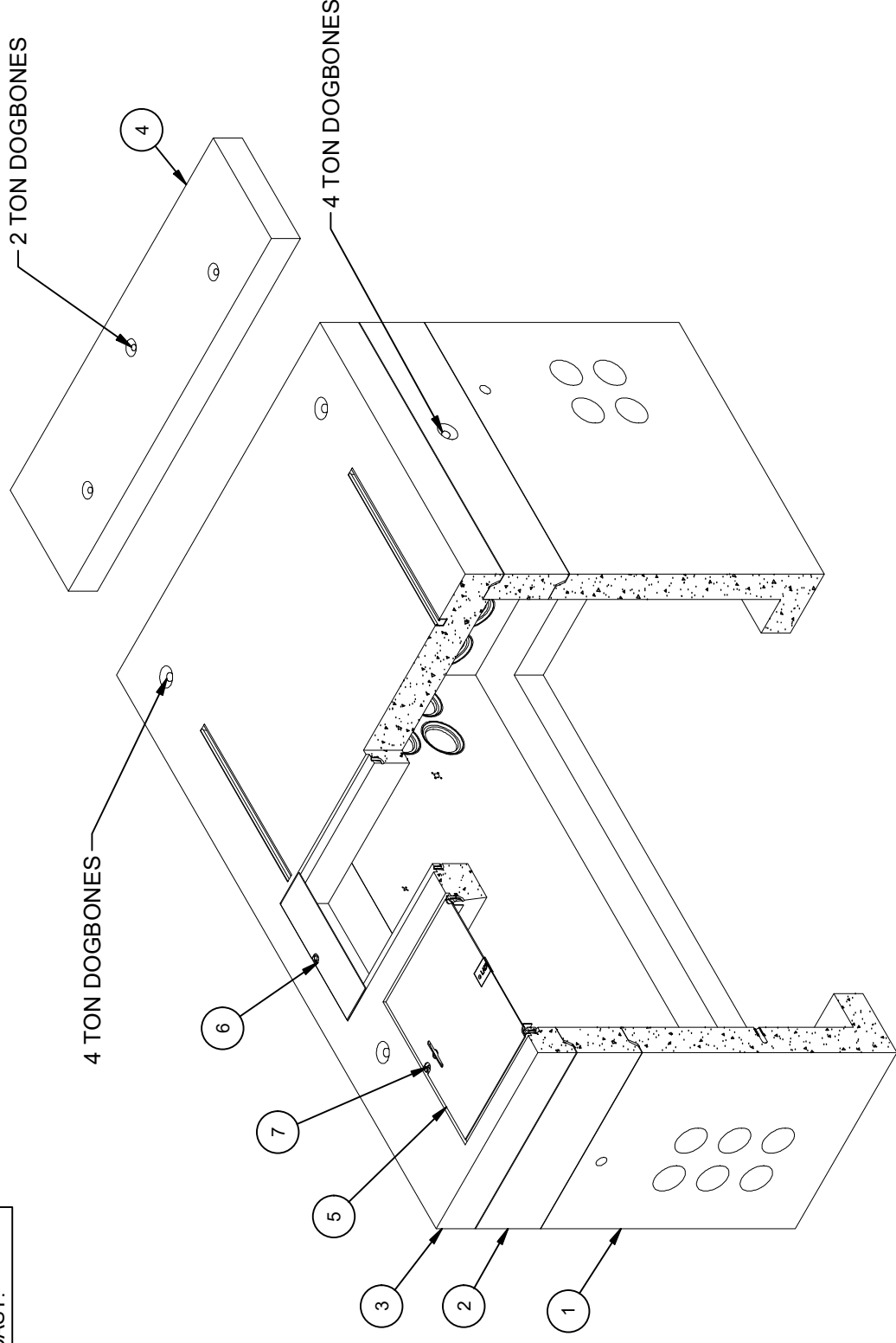


DESIGN NOTES

- CONCRETE DESIGNED IN ACCORDANCE WITH L.A.D.W.P. SPEC. P178-R8, ACI 318R-11, AND ASTM C857-14, USING 5,500 PSI COMPRESSIVE STRENGTH CONCRETE AT 28 DAYS AND 60,000 PSI YIELD STRENGTH ASTM A-706 STEEL REINFORCEMENT PER CALC. #34895.
- TRANSFORMER PAD DESIGNED FOR 100 PSF LIVE LOAD AND 400 PSF DEAD LOAD.
- INSTALLATION. VAULT TO BE PLACED ON A MIN. 6" COMPACTED CRUSHED ROCK 1", GRADE A or CONCRETE AGGREGATE #3, GRADE B (SSPWC, SUBSECTIONS 200-1.2 & 200-1.4), INSTALLATION AND EVEN LOAD DISTRIBUTION.
- CONCRETE MIX USED IN POURING THIS PRODUCT SHALL USE FLY ASH AND DCI AS AN ADMIXTURE.
- EACH CONCRETE SECTION SHALL BE STENCILED ON THE INSIDE & OUTSIDE WITH "JENSEN PRECAST", THE DESIGNATION "DWPF-CN-SC".
- EACH CONCRETE SECTION SHALL HAVE CAST-IN ON THE INSIDE "JENSEN", THE YEAR, AND THE DESIGNATION "F-CN-SC".
- MINIMUM EXCAVATION SIZE: 8'-0" X 12'-0" X DEPTH REQ'D.
- FOR COMPLETE DESIGN AND PRODUCT INFORMATION CONTACT JENSEN PRECAST.

BILL OF MATERIALS

ITEM	UNIT QTY	QTY	PART NUMBER	DESCRIPTION	MASS(lb)
1	1	1	100012304	Vault 72120x48 Rect. Bottom Section Terminators LADWP UB721-14 REV. 14	12214
2	1	1	100012995	Riser 72120x13.5 LADWP UB721-14 REV 14, UB721-30 REV 3	2835
3	1	1	100012284	Pad 84132x8 LADWP G1 UB721-14 REV 14	5316
4	1	1	100012263	Pad 2484x6 LADWP UB721-14 REV. 14	1051
5	1	1	100006640	DAS1-SD-3048-DX-DP-G-FONT-PAGV (SC3048 PAGV)	124
6	1	2	100006792	K711 TRANS PAD STEEL ADAPTER PT GALV	117
7	1	6	100007122	BOLT PENTA 1/2-13 UNC 0.875 HEAD 1.5L 304SS	
8	1	1	100006748	NAME PLATE SS - LADWP-E	
9	1	1	100007650	NAME PLATE HARDWARE KIT	
10	1.000 ul	1.000 ul	100005749	SEALANT JOINT BUTYL RUBBER ASTM C-990 AND M198 CS-102 1IN EQUIV X14.5FT PER BOX 118FT	



ISOMETRIC VIEW

LIFTING NOTES

■ FIELD INSTALLATION: PLANT DEMOLDING: MINIMUM HANDLING CONCRETE STRENGTH F _c = 5500 PSI RIGGING EQUALIZER REQUIRED TO EQUALIZE LOAD TO 4 LIFTING POINTS WITH A SLING ANGLE BETWEEN 60° AND 90°	
BURY DEPTH:	-0.6' - 0.6' to Top
WATER LEVEL:	Below Structure
DESIGN SPEC:	ACI 318, ASTM C857
AGENCY:	LADWP
APPROX. WEIGHT:	21775.21 Lbs
LOADING SPEC:	A-16 (AASHTO HS20-44)
AGENCY SPEC:	UB721-14 G2 REV. 14

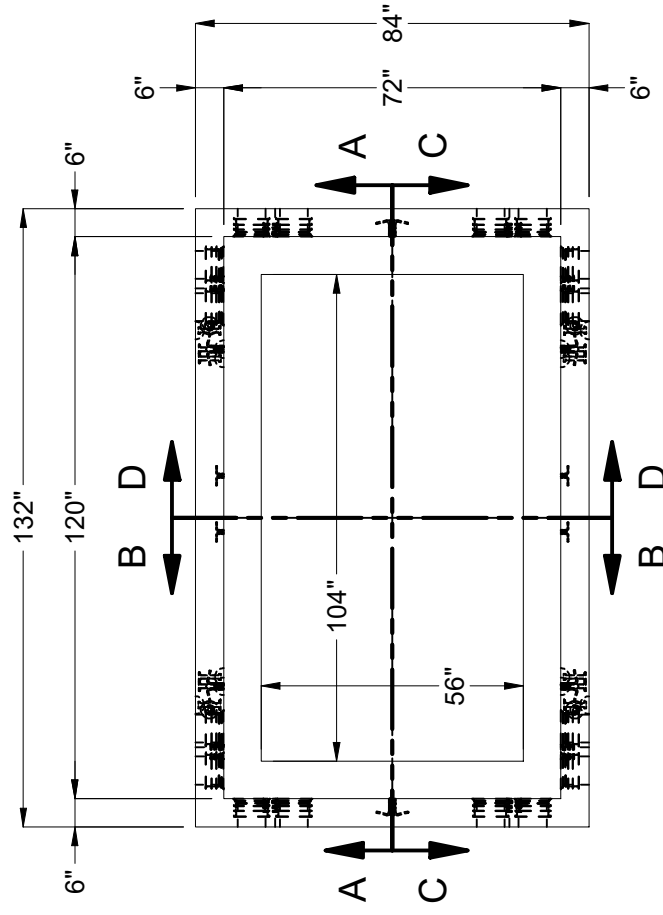
REVISION HISTORY		APPROVED
REV	DESCRIPTION	DATE
B	REVISED PAD FROM 36" WIDE TO 24"	9/19/2023
C-1	REVISED LOCATION OF TERMS ON SECTIONS A-A AND C-C TO MATCH REV. 14	3/5/2024

DESCRIPTION:	Vault Layout 72120x60 Terminators LADWP UB721-14 G2 REV. 14
PART NUMBER:	100010576
CREATED:	2/6/2023
DRAWN BY:	R. Ramos
MODIFIED:	3/5/2024

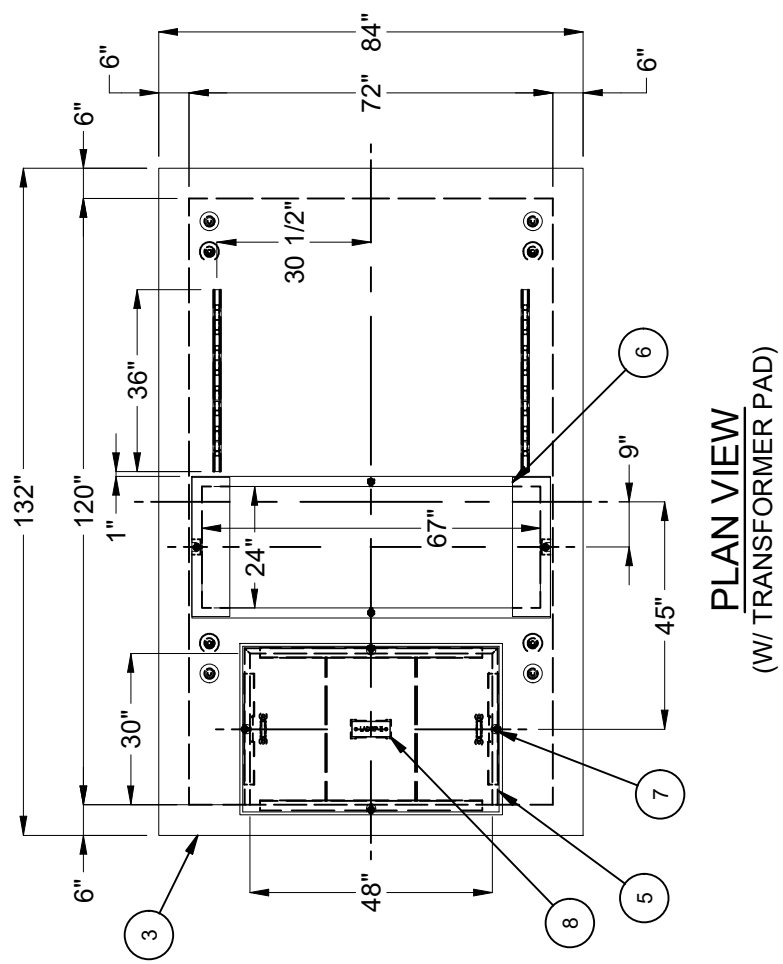
REV:	C-1
SHEET:	8
	1 OF 2

©2024 Jensen Precast. All rights reserved. All materials appearing as Jensen Precast documents and the like are proprietary work product and are protected under U.S. copyright and other laws. Unless in conjunction with business conducted with Jensen Precast, any use of Jensen Precast work product without express, written consent is prohibited, and recipient is prohibited from distributing any and all work product to non-approved third parties under penalty of civil action.

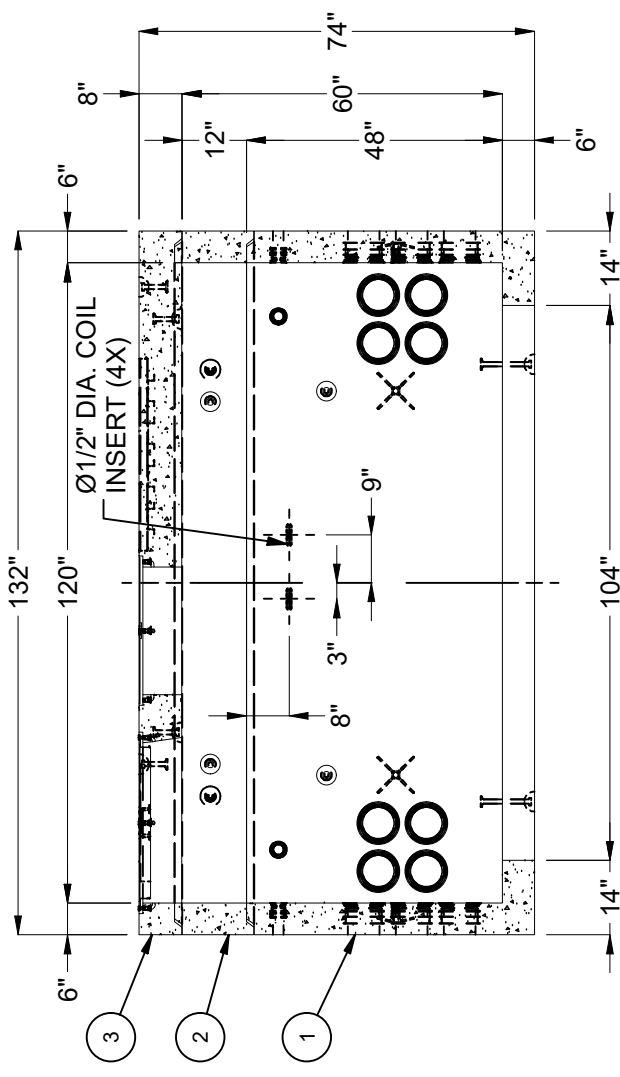
JENSEN PRECAST EST. 1968
 WWW.JENSENPRECAST.COM



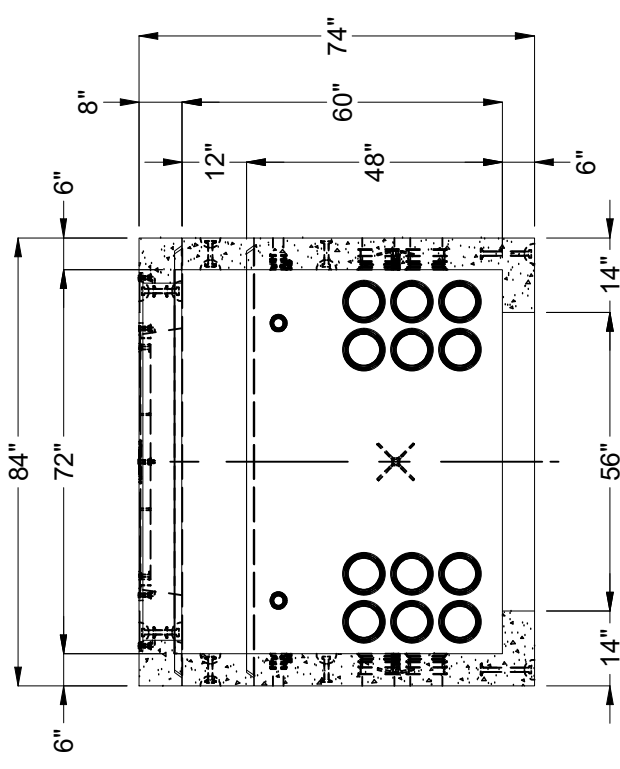
PLAN VIEW
(W/ OUT TRANSFORMER PAD)



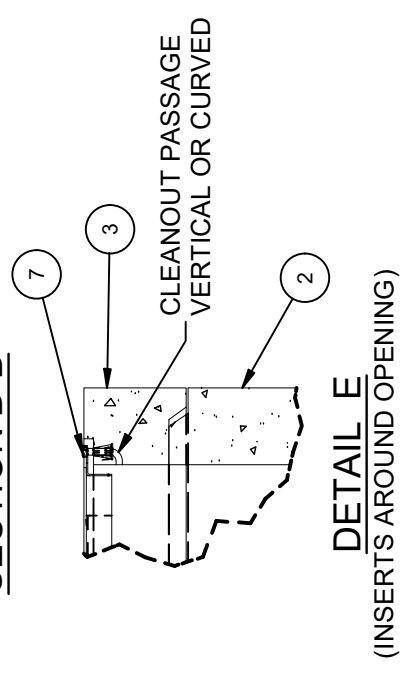
PLAN VIEW
(W/ TRANSFORMER PAD)



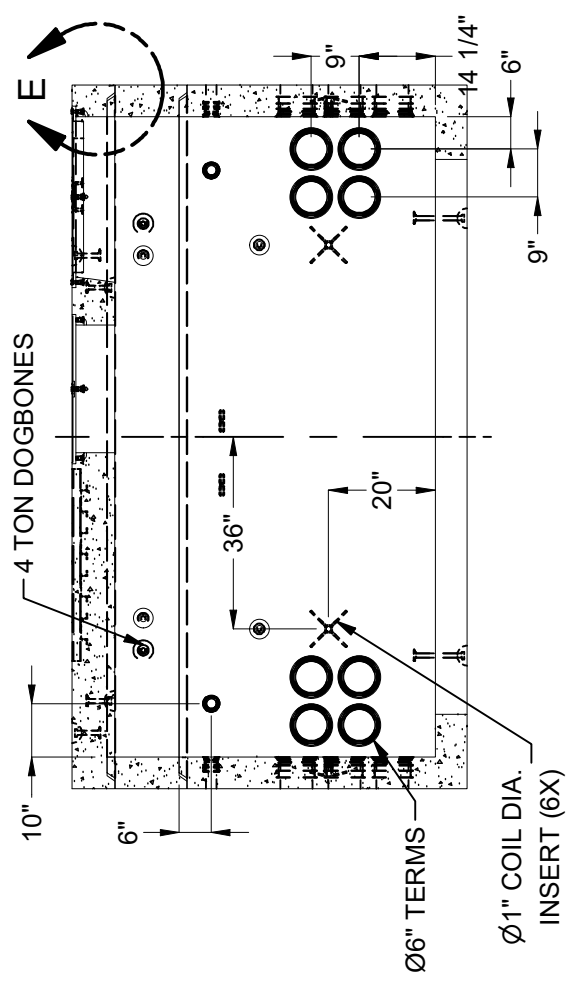
SECTION A-A



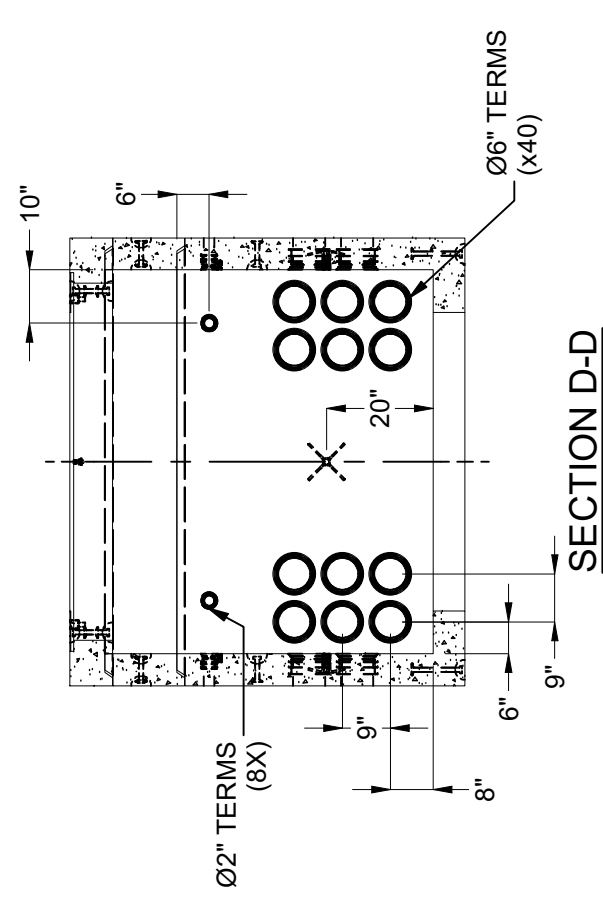
SECTION B-B



DETAIL E
(INSERTS AROUND OPENING)



SECTION C-C



SECTION D-D

BURY DEPTH:	-0.6' - 0.6' to Top
WATER LEVEL:	Below Structure
DESIGN SPEC:	ACI 318, ASTM C857
AGENCY:	LADWP
APPROX. WEIGHT:	21775.21 Lbs
LOADING SPEC:	A-16 (AASHTO HS20-44)
AGENCY SPEC:	UB721-14 G2 REV. 14

JENSEN PRECAST EST. 1968
WWW.JENSENPRECAST.COM

©2024 Jensen Precast. All rights reserved. All materials appearing as Jensen Precast documents and the like are proprietary work product and are protected under U.S. copyright and other laws. Unless in conjunction with business conducted with Jensen Precast, any use of Jensen Precast work product without express, written consent is prohibited, and recipient is prohibited from distributing any and all work product to non-approved third parties under penalty of civil action.

DESCRIPTION:	Vault Layout 72120x60 Terminators LADWP UB721-14 G2 REV. 14
PART NUMBER:	100010576
CREATED:	2/6/2023
LAYOUT REVIEW	R. Ramos
DRAWN BY:	R. Ramos
MODIFIED:	3/5/2024